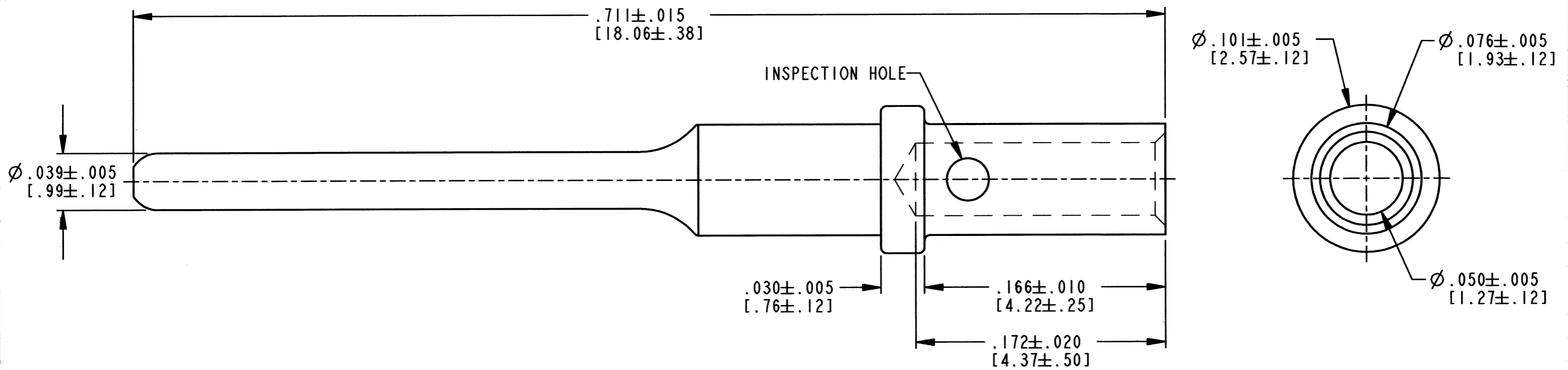


REV
C 0460-202-20**

REVISIONS			
SYM	DESCRIPTION	DATE	APPROVED
NC	NEW RELEASE PER E.O. P15506	12-23-97	R.D.R.
A	REVISED PER E.O. P15641	5-14-98	R.D.R.
B	REVISED PER E.O. P15996	5-25-99	R.D.R.
C	REVISED PER E.O. P21214	12-2-11	RDR



4. FOR CONTACT PERFORMANCE AND APPLICATION CHARACTERISTICS SEE DRAWING 0425-015-0000.
3. FOR CRIMPING INFORMATION SEE DRAWING 0425-205-0000.
2. WHEN ** = 31: GOLD OVER NICKEL OVER COPPER
 WHEN ** = 141: NICKEL OVER COPPER
 WHEN ** = 309: TIN OVER NICKEL OVER COPPER
1. DIMENSIONS ARE IN INCHES [mm]

NOTES: UNLESS OTHERWISE SPECIFIED

SIGNATURE & DATE		CONTACT PIN SIZE 20	EP	MATL. CODE
DR	D. MEYER 12/18/97		3850 INDUSTRIAL AVE. HEMET, CA 92545	
CHK	D. Meyer 12/2/11	ENVELOPE	DEUTSCH INDUSTRIAL	
PE	D. Meyer 12/2/11		B 0460-202-20**	
APPD	R. Reed 12-5-11	DWG SIZE	CODE 11139	SHEET OF
SCALE	15:1	WT		

