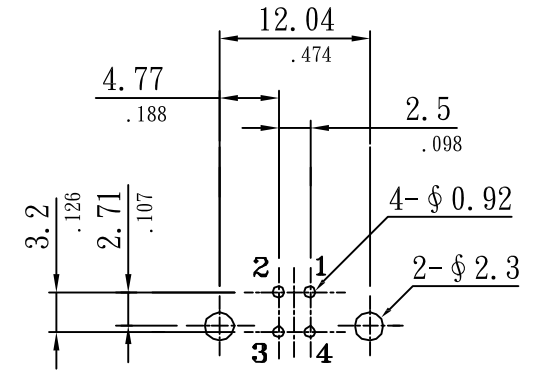
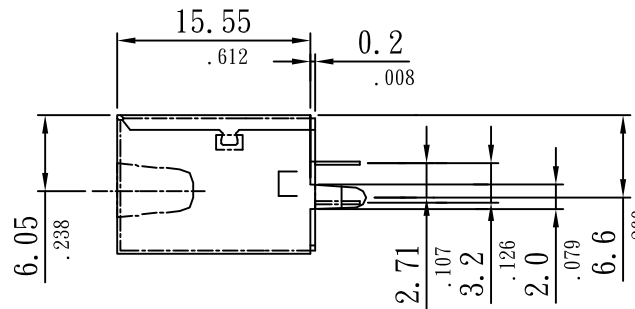
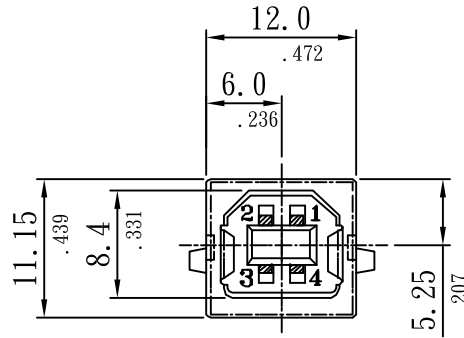


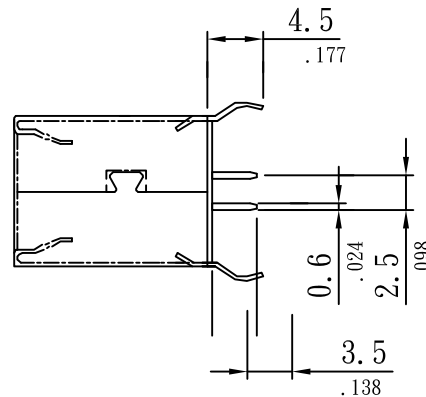
# USB B TYPE 180° DIP

## MATERIAL

Insulator: PBT G. F.  
 Contact: Phosphor bronze t=0.25mm  
 Shell: Brass t=0.3mm  
 Plating: Gold/Tin plated on pin term.  
 Nickel plated on shell



PCB LAYOUT



## Order Information

R 2950-B S- x

1. RoHS
2. Series No.
3. B type
4. Straight angle
5. Color: A=Black J=White

Sunny Young Enterprise Co., Ltd.  
 S.Y.E <http://www.sunnyyoung.com.tw>  
 13F., No. 116, Sec. 1, Xintai 5th Rd., Xizhi Dist., New Taipei City 221, Taiwan (R.O.C.)  
 Tel:+886 2 2696 1668(REP) Fax:+886 2 2696 2668

PART NO R2950-BS-x

M158	NAME	DATE	SCALE: 1:2	REV NO	DATE	DESCRIPTION	BY	CHECKED	TOLERANCE UNLESS NOTED	
DRAWN	QYJ	2010. 04. 27	UNIT: mm(in.)	A	2015. 08. 25	CHANGE PART No.	SONIA		LINEAR±	.0 ±0.30(.012)
CHECKED	HW	2010. 04. 27	CAD NO	B						.00 ±0.20(.008)
APPROVED	PC	2010. 04. 27	R2950-BS-x	C						.000±0.10(.004)
									PROJECTION:	