

Magnetic Contact Switches

Specification:

- * Adjustable screw plunger
- * 3/8" diameter press to fit
- * Single drink hole
- * 18" #22AWG leads or screw terminal
- * Special leads available
- * Flange style available
- * Colors: White, Brown, Grey

... Plunger Switch

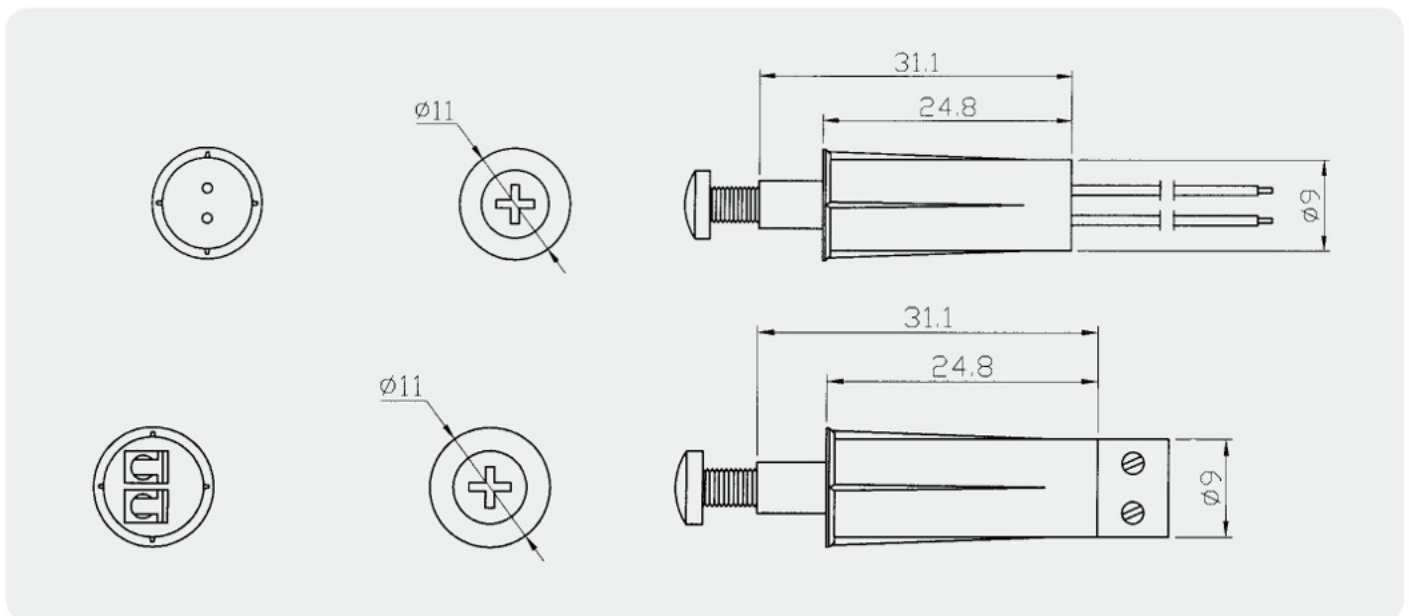
BR-1051



BR-1051T



Dimension (mm):



Order Information:

Part Number	Loop Type	Reed Form	Gap (total travel) [Inch(mm)]	Maximum Initial Contact Resistance (Ohm)	Maximum Contact Rating (W)	Maximum Switching Voltage (VDC/VAC)	Maximum Switching Current (A)
BR-1051	Closed	N/O	1/4 (6.2)	0.150	10	100	0.5
BR-1051T	Closed	N/O	1/4 (6.2)	0.150	10	100	0.5

Note: 1. Total Travel: .244 inch (6.2mm) Pre Travel: .11 +/- .04 inch (2.80 +/- 1.00mm)
 2. Wire range for terminal: #20~#24AWG

Magnetic Contact Switches

Specification:

- * Adjustable screw plunger w/ flange
- * 3/8" diameter press to fit
- * Single drink hole
- * 18" #22AWG leads or screw terminal
- * Special leads available
- * Screws included
- * Colors: White, Brown, Grey

... Plunger Switch

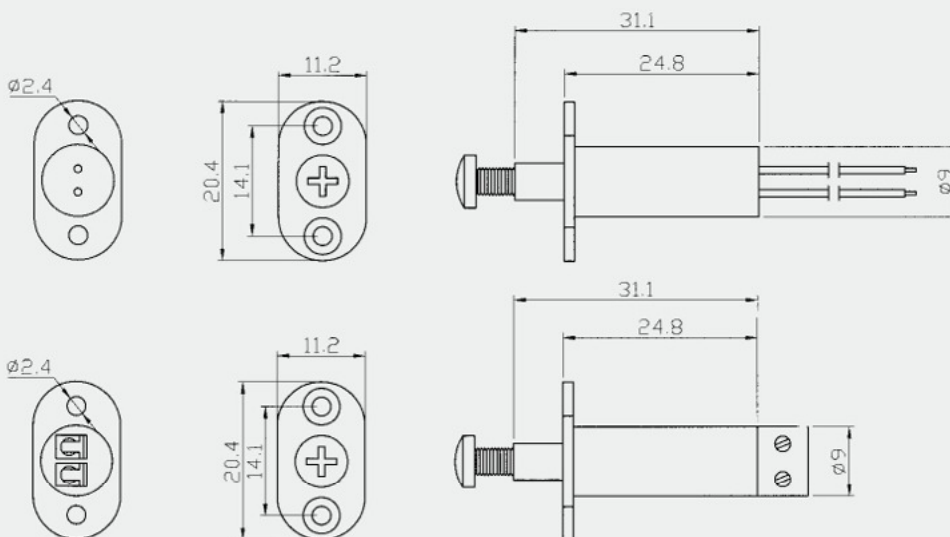
BR-1051F



BR-1051FT



Dimension (mm):



Order Information:

Part Number	Loop Type	Reed Form	Gap [Inch(mm)]	Maximum Initial Contact Resistance (Ohm)	Maximum Contact Rating (W)	Maximum Switching Voltage (VDC/VAC)	Maximum Switching Current (A)
BR-1051F	Closed	N/O	1/4 (6.2)	0.150	10	100	0.5
BR-1051FT	Closed	N/O	1/4 (6.2)	0.150	10	100	0.5
BR-1051FA	Open	N/C	1/4 (6.2)	0.150	3	30	0.2
BR-1051FTA	Open	N/C	1/4 (6.2)	0.150	3	30	0.2

Note: 1. Total Travel: .244 inch (6.2mm) Pre Travel: .11 +/- .04 inch (2.80 +/- 1.00mm)
 2. Wire range for terminal: #20~#24AWG