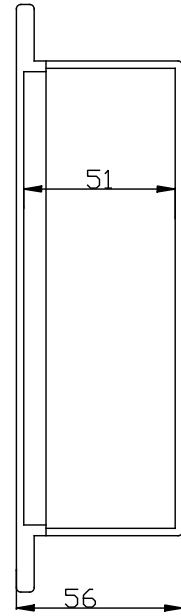
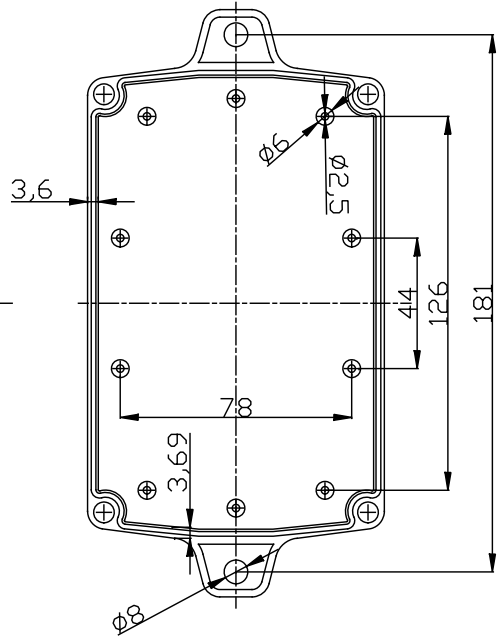
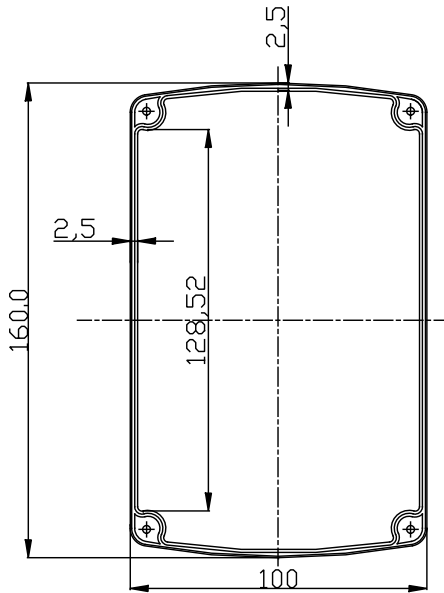


	CHKD



REVISIONS	← (mm) →	CHKD 2019/03/08	DATE 01/12/2009
	TOLERANCES EXCEPT AS NOTED	HFO 1	DATE 01/15/2009
	MM	±	APPVL
	0.0 ± 0.2 0.0 ± 0.1 0.00 ± 0.05	± ± ±	DATE
ANGLES ± 5°	QTY 1	MATERIAL: ABS	
THIRD ANGLE PROJECTION	SCALE: 1:1	FINISH:	

Chinaenclosure CHINA ENCLOSURE	
赛诺模具壳体 WWW.CHINA-ENCLOSURE.COM	
TITLE CN675	
DRAWING NO.	SIZE A4
/PART NO.	REV
DO NOT SCALE DRAWING	SHEET 1 OF 1

4 | 3 | 2 | 1