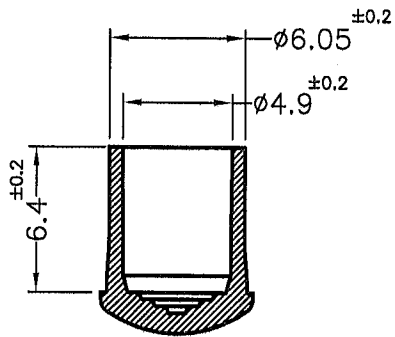
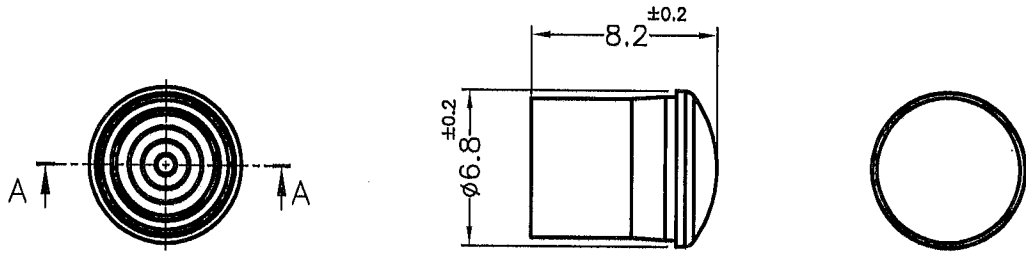

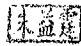


REVISIONS			
REV	DESCRIPTION	DATE	BY



SECTION A-A

NOTE:MADE OF EQUIVALENT MATERIAL.
均可使用同等材質.

 <p>康揚企業股份有限公司 KANG YANG HARDWARE ENTERPRISE CO., LTD. 康揚塑膠(東莞)有限公司 KANG YANG PLASTIC(DONG GUAN) CO., LTD. 康哲電腦配件(吳江)有限公司 KANG CHE COMPUTER COMPONENTS(WUJIANG) CO., LTD.</p>	TITLE Lens_cap		SPEC. DWG.	
	MATERIAL UL94V-2 PC-110U(f1)		DATE 2012.10.16	
	FINISH		DRAWN T.C	
	COLOR TRANSPARENT		CHECK 	
PART NUMBER LEM-149PC1	DRAWING NUMBER LEM-149		UNLESS OTHERWISE SPECIFIED TOLERANCE SEE ABOVE	
SIZE A4	SCALE 3:1	UNIT mm	REV B	APPROVED 