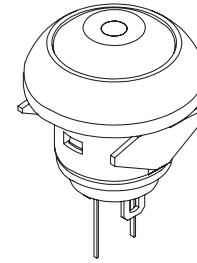
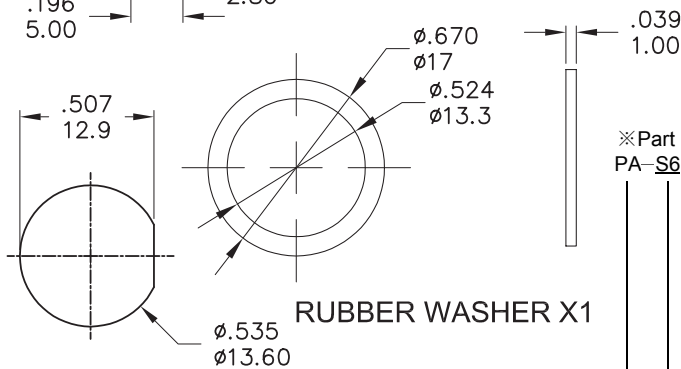
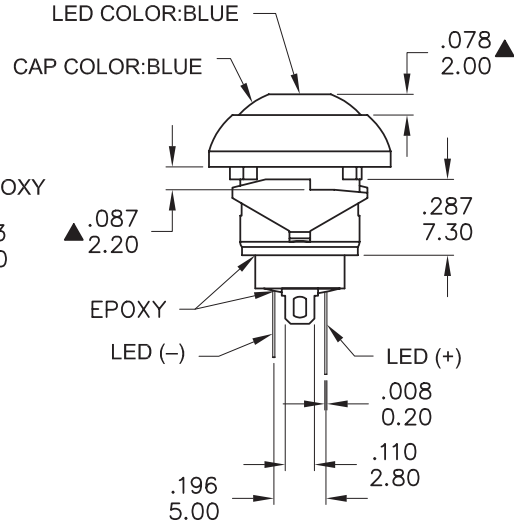
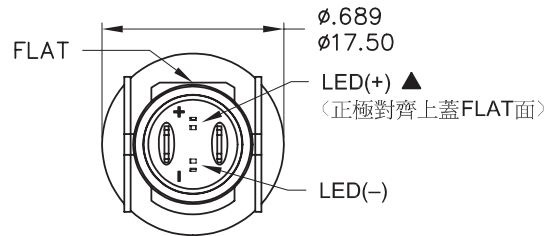
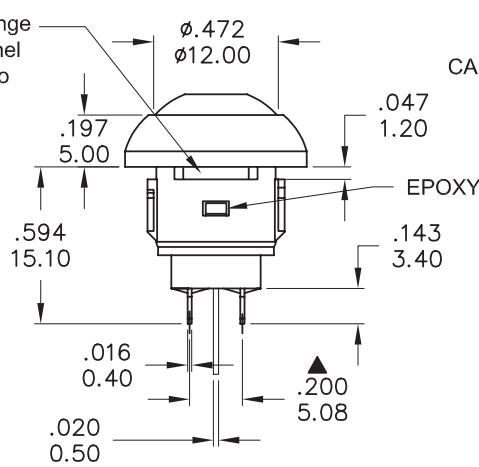


DIMENSIONS

FLAT on flange used for panel orientation to LED(+)



Model No.	POS.1	POS.2
PA-S6	OFF	MOM
Term. Comm.	OPEN	SHORT
SCHEMATIC		

SWITCH FUNCTION

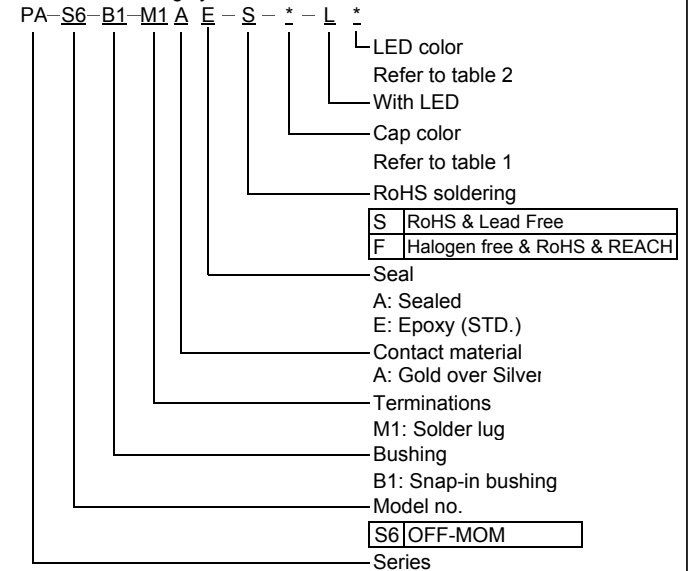
SPECIFICATIONS

- Max. current/voltage rating with resistive load:** 400mA 32VAC - 100 mA 50VDC - 125 mA 125VAC.
- INITIAL CONTACT RESISTANCE:** 50 mΩ max.
- INSULATION RESISTANCE:** 1 GΩ min. at 500VDC.
- DIELECTRIC STRENGTH:** 1,000 VAC rms.
- ELECTRICAL LIFE AT FULL LOAD:** 500,000 cycles.
- PANEL THICKNESS:** 0.8 mm (.031) min. - 1.8 mm (.071) max.
- TOTAL TRAVEL:** 1.5 mm (.059).
- OPERATING FORCE:** 2N~5N.
- CONTACT BOUNCE:** 10 ms.
- MECHANICAL LIFE:** 1,000,000 cycles.
- TORQUE:** 1.5 Nm max. applied to nut.
- SOLDERING:** 350°C max. for 5 seconds.
- MATERIALS**
- CASE:** Diallyl phthalate (DAP)(UL94v-0).
- CAP:** Polyamide 6/6.
- BUSHING:** Polyamide 6/6.
- TERMINAL/CONTACTS:** Gold over silver plated.

PA WITH LED ELECTRO-OPTICAL DATA :

Lens Appearance	Color	Electro-optical Data (AT 20mA)				Viewing Angle 2θ 1/2 (deg)
		Vf(V)		Iv(mcd)		
		Typ.	Max.	Min.	Typ.	
Water Clear	White (AT 5mA)	3.2	3.6	94	250	35°
	Super Red	1.7	2.6	28	60	
	Super Yellow	2.1	2.6	94	200	
	Super Green	2.0	2.6	42	100	
	Super Blue	3.2	3.6	63	150	

※Part numbering system



廣容科技股份有限公司
PACER TECHNOLOGY CO., LTD.

Part no.: PA-S6-B1-M1AA-S-x-Lx

Dwg. no.: B0912005 REVISION 0

Part name: Push switch

Unit: mm[Inch] Scale:

Projection:

Check Design Drawn

David 2009/12/07

Andrew 2009/12/07

Normal tolerance

Range Tolerance

----- ± 0.3