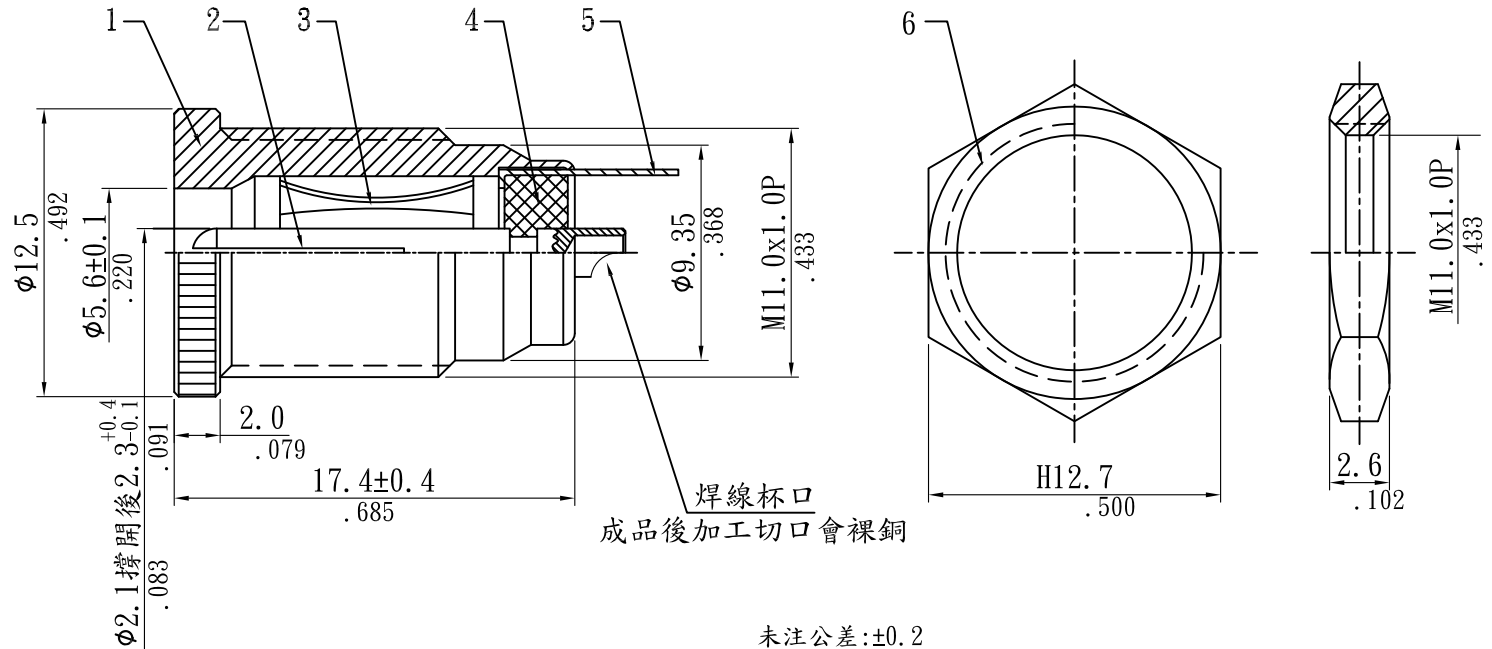


2.1 ϕ (0.083") DC JACK



Order information

R 4340-DC-S10-021-A
1 2 3 4 5 6

1. RoHS
2. Series NO.
3. DC power Plug
4. Solder type
5. 2.1 ϕ
6. Black

未注公差: ±0.2

NO.	Description	Material	QTY	Finish
1	SHELL	Brass	1	Nickel Plated
2	TEERMINAL	Brass	1	Nickel Plated
3	SPRING	K7	1	Nickel Plated
4	INSULATION	NYLON+G. F	1	Black Color
5	L WASHER	Brass	1	Nickel Plated
6	NUT	Brass	1	Nickel Plated



Sunny Young Enterprise Co., Ltd. S. Y. E http://www.sunnyyoung.com.tw No. 276, Nan-Yang St, Xizhi Dist., New Taipei City 221, Taiwan(R.O.C.) Tel:+886 2 2694 5995(REP) Fax:+886 2 2694 3721	S013	NAME	DATE	SCALE: 1:1	REV NO	DATE	DESCRIPTION	BY	CHECKED	TOLERANCE UNLESS NOTED	
	DRAWN	王心媛	2016.11.28	UNIT: mm(in.)	A					LINEAR±	.0 ±0.30(.012)
	CHECKED	劉振宇	2016.11.28	CAD NO	B						.00 ±0.20(.008)
PART NO	R4340-DC-S10-021-A	APPROVED	趙賢忠	2016.11.28	R4340-DC-S10-021-A	C					PROJECTION: