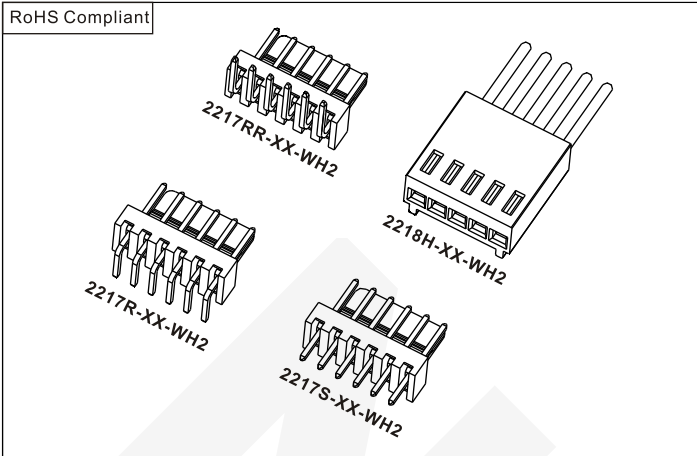




E 144392 E 239329  
E 239299 E 315658  
E 315997

RoHS Compliant



#### Specifications

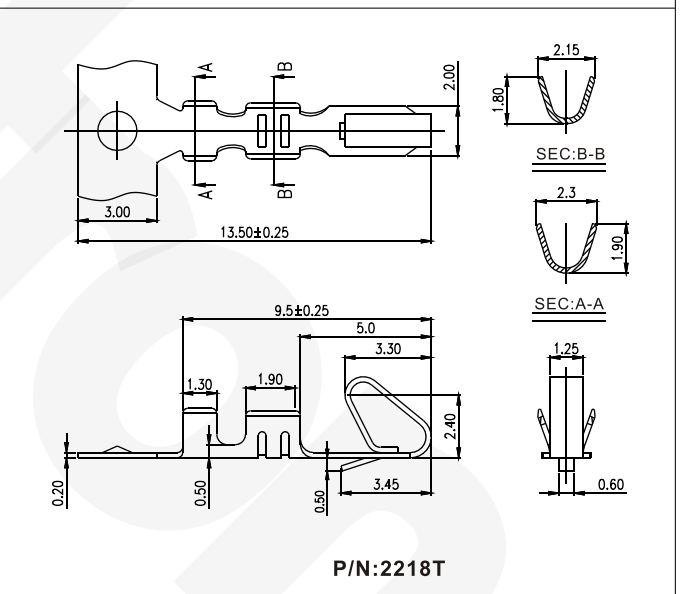
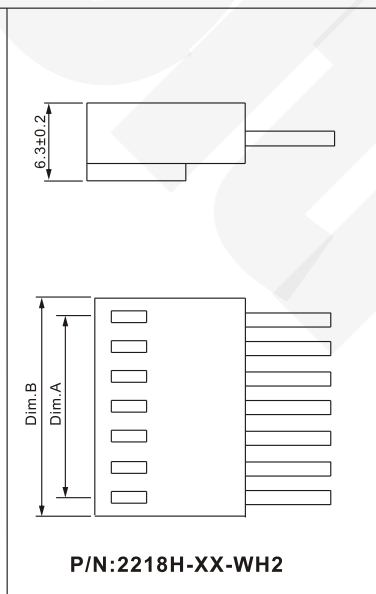
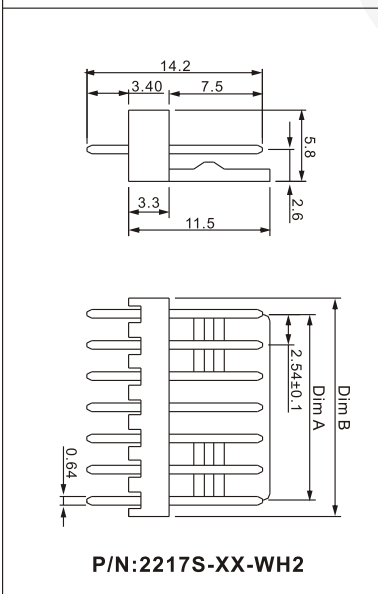
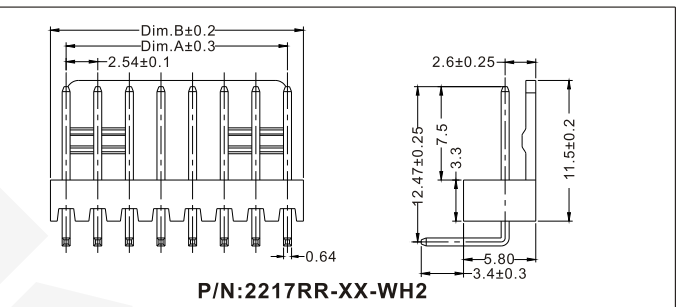
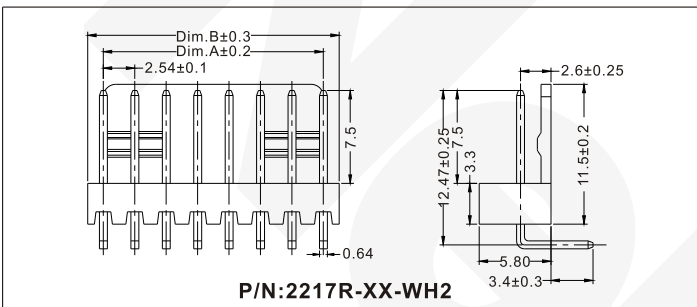
Current rating: 3.0A AC/DC  
Voltage rating: 250V AC/DC  
Contact resistance: 20m ohm. max.  
Insulation resistance: 1000M ohm. Min.  
Withstanding voltage: 1000V AC for one minute  
Operating temperature range: -25°C to +105°C  
Application: Wires AWG 22 to 26

#### Material and Finish

A. Housing Insulator: Nylon 66(UL94V-0)  
B. Crimp Terminal: Copper Alloy Tin Plated  
C. Wafer Insulator: Nylon 66(UL94V-0)  
Contact Pin: Brass Tin Plated

#### Connection

2218H-XX Mates With 2217S(R)(RR)-XX



#### Engineering Dimension

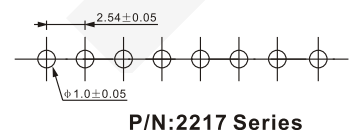
P/N: 2217 Series

Circuits	Dim.A	Dim.B
2	2.54	5.08
3	5.08	7.62
4	7.62	10.16
5	10.16	12.70
6	12.70	15.24
7	15.24	17.78
8	17.78	20.32
9	20.32	22.86
10	22.86	25.40
11	25.40	27.94

P/N: 2218H-XX-WH2

Circuits	Dim.A	Dim.B
2	2.54	5.60
3	5.08	8.14
4	7.62	10.68
5	10.16	13.22
6	12.70	15.76
7	15.24	18.30
8	17.78	20.84
9	20.32	23.38
10	22.86	25.92
11	25.40	28.46

#### Recommended PCB Layout



#### Ordering Information

**2217S-XX-WH2**

① ② ③

**2218H-XX-WH2**

① ② ③

① S: Straight Type R: Right Angle Type RR: R/A Reverse Type	② No. Of Contacts	③ WH2: Beige White
---	-------------------	--------------------

① H: Housing	② No. Of Contacts	③ WH2: Beige White
--------------	-------------------	--------------------

Unit:mm