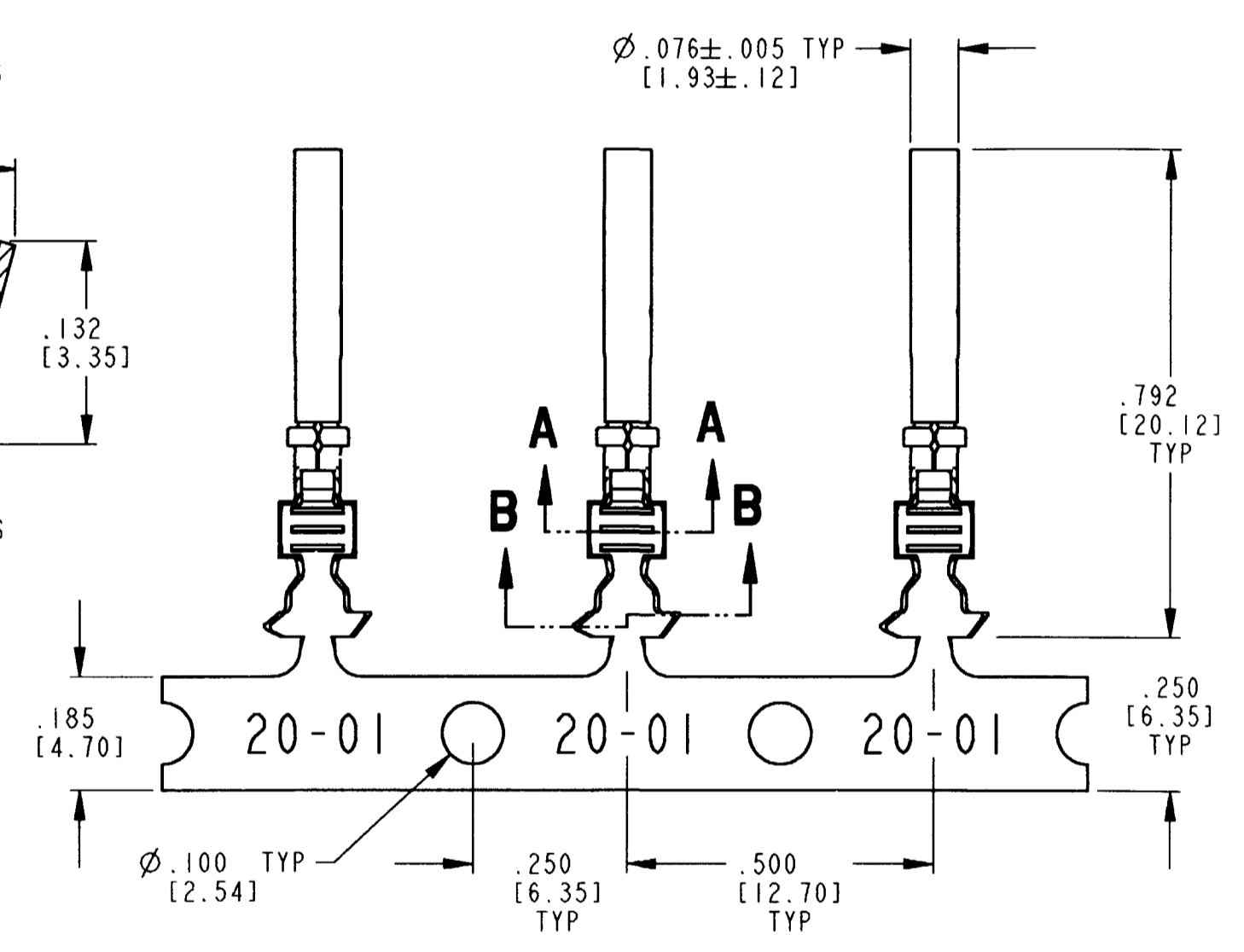


REV E 1062-20-01 **

| REVISIONS | | | |
|-----------|-------------------------|---------|----------|
| SYM | DESCRIPTION | DATE | APPROVED |
| B | REVISED PER E.O. P17937 | 11-1-02 | R.D.R. |
| C | REVISED PER E.O. P19261 | 6-13-06 | R.D.R. |
| D | REVISED PER E.O. P19555 | 6-13-06 | R.D.R. |
| E | REVISED PER E.O. P20392 | 12-3-09 | RDR |



7. CONTACT BODY MATERIAL: COPPER ALLOY;
CONTACT SLEEVE MATERIAL: STAINLESS STEEL.
 6. WHEN ** = 22 PLATING IS NICKEL.
 ** = 44 PLATING IS GOLD.
 ** = 77 PLATING IS TIN.
 5. SEE 0425-015-0000 FOR CONTACT PERFORMANCE AND WIRE APPLICATION CHARACTERISTICS.
 4. THIS CONTACT MAY BE CRIMPED WITH DCT20-02-00 AUTOMATIC DIE OR DTT-20-00 HAND TOOL. SEE DRAWING 0425-207-0000 FOR APPLICABLE WIRE SIZE, INSULATION DIAMETER RANGE, AND CRIMPING INFORMATION.
 3. ONE REEL CONTAINS APPROXIMATELY 4000 CONTACTS.
 2. DIMENSIONAL TOLERANCE: ±.025 [0.63].
 1. DIMENSIONS ARE IN INCHES [mm].
- NOTES: UNLESS OTHERWISE SPECIFIED

| SIGNATURE & DATE | |
|------------------|----------------------|
| DR | J. APOSTOL 01DEC2009 |
| CHK | D. May 12/09 |
| PE | D. May 12/09 |
| APPD | R. Reed 12-3-09 |
| SCALE | NONE |
| WT | |

STAMPED CONTACT SOCKET SIZE 20

ENVELOPE

| | |
|---|-----------------------|
| EP | MATL. CODE |
| 3850 INDUSTRIAL AVE. HEMET, CA 92545 | |
| B 1062-20-01 ** | |
| DWG SIZE | CODE 11139 SHEET OF |

Mouser Electronics

Authorized Distributor

Click to View Pricing, Inventory, Delivery & Lifecycle Information:

TE Connectivity:

[1062-20-0144](#) [1062-20-0222](#) [1062-20-0222 \(Mouser Reel\)](#) [1062-20-0222 \(Cut Strip\)](#) [1062-20-0144 \(Cut Strip\)](#) [1062-20-0144 \(Mouser Reel\)](#) [1062-20-0144 \(Loose Piece\)](#) [1062-20-0222 \(Loose Piece\)](#)