

PERFORMANCE CHARACTERISTICS

Operating Voltage: 100 VAC Max.
 Current Rating: 0.5 Amp Max.
 Contact Resistance: 30 mΩ Max.
 Insulation Resistance: 500 MΩ Min.
 Dielectric Withstanding Voltage: 500 VAC RMS.
 Operating Temperature: -40°C TO +85°C
 Accommodated FFC/FPC Thickness: 0.25~0.35mm

MATERIAL

Base: NYLON9T;UL94V-0 Rated.
 Slider: PPS;UL94V-0 Rated.
 Contact: Phosphor Bronze
 ME: BRASS
 Plating: Tin Alloy plated

ORDERING INFORMATION

FZ01 010 P T
 ① ② ③ ④

① **PRODUCT SERIES**
 1.0 FPC CONNECTOR
 SIDE ENTRY UPPER CONTACT
 SMT TYPE

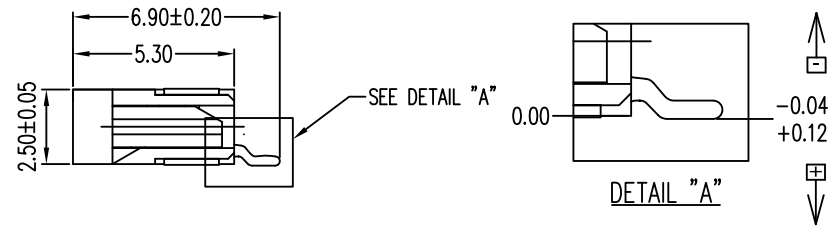
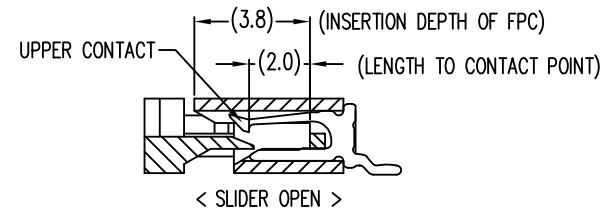
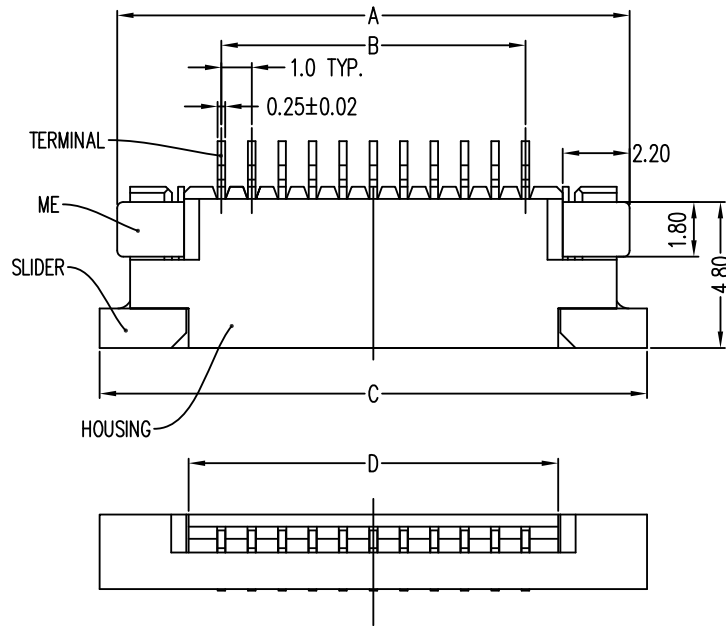
② **NUMBER OF CONTACTS**
 4 TO 34

CUSTOMER DRAWING

③ **CONTACT PLATING**
 S: TIN PLATE
 Sn/Ni: 120u"/40u"(Min.)
 P: PURE TIN·Tin/Ni
 G: 3u"Au Plated Over Ni

④ **PACKING METHOD**
 T : TUBE
 R : TAPE/REEL

DRAWING



△	INITIAL REVISION	2005/09/20
REV.	DESCRIPTION	DATE
DR.	CHK.	APP.

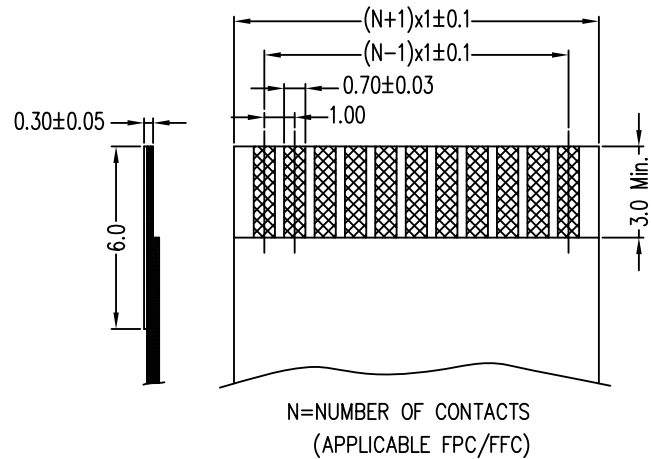
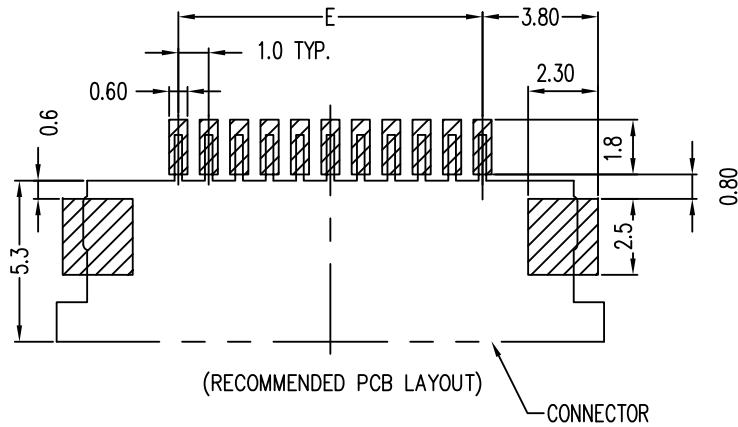


TOLERANCE
 (UNLESS SPECIFIED)
 0.0 ±0.XX
 0.00 ±0.25
 0.000 ±0.XX

Xiamen Ocular Optics

TITLE:
 1.00 ZIF FPC CONN. SIDE ENTRY
 UPPER CONTACT SMT TYPE

DWG NO. FZ01	SERIES FZ01	SHEET 1/2
FILE PATH F\FZ\FZ01	REV. A	



DIM. OF TABLE

CONTACT	A±0.25	B±0.15	C±0.20	D±0.10	E±0.15
4P	9.85	3.00	11.00	5.05	3.00
5P	10.85	4.00	12.00	6.05	4.00
6P	11.85	5.00	13.00	7.05	5.00
7P	12.85	6.00	14.00	8.05	6.00
8P	13.85	7.00	15.00	9.05	7.00
9P	14.85	8.00	16.00	10.05	8.00
10P	15.85	9.00	17.00	11.05	9.00
11P	16.85	10.00	18.00	12.05	10.00
12P	17.85	11.00	19.00	13.05	11.00
13P	18.85	12.00	20.00	14.05	12.00
14P	19.85	13.00	21.00	15.05	13.00
15P	20.85	14.00	22.00	16.05	14.00
16P	21.85	15.00	23.00	17.05	15.00
17P	22.85	16.00	24.00	18.05	16.00
18P	23.85	17.00	25.00	19.05	17.00
19P	24.85	18.00	26.00	20.25	18.00
20P	25.85	19.00	27.00	21.05	19.00
21P	26.85	20.00	28.00	22.05	20.00
22P	27.85	21.00	29.00	23.05	21.00
23P	28.85	22.00	30.00	24.05	22.00
24P	29.85	23.00	31.00	25.05	23.00
25P	30.85	24.00	32.00	26.05	24.00
26P	31.85	25.00	33.00	27.05	25.00
27P	32.85	26.00	34.00	28.05	26.00
28P	33.85	27.00	35.00	29.05	27.00
29P	34.85	28.00	36.00	30.05	28.00
30P	35.85	29.00	37.00	31.05	29.00
31P	36.85	30.00	38.00	32.05	30.00
32P	37.85	31.00	39.00	33.05	31.00
33P	38.85	32.00	40.00	34.05	32.00
34P	39.85	33.00	41.00	35.05	33.00

△	INITIAL REVISION	2005/09/20
REV.	DESCRIPTION	DATE
DR.	CHK.	APP.



TOLERANCE (UNLESS SPECIFIED)	
0.0	±0.XX
0.00	±0.25
0.000	±0.XX

Xiamen Ocular Optics

TITLE:
1.00 ZIF FPC CONN. SIDE ENTRY
UPPER CONTACT SMT TYPE

DWG NO. FZ01	SERIES FZ01	SHEET 2/2
FILE PATH F\FZ\FZC1		REV. A