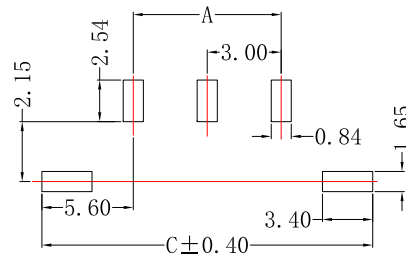
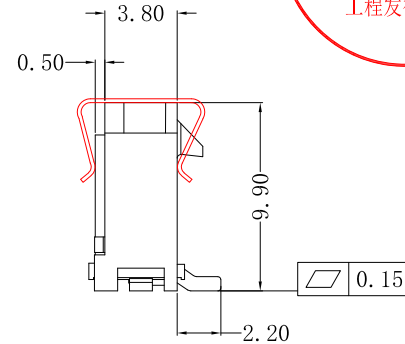
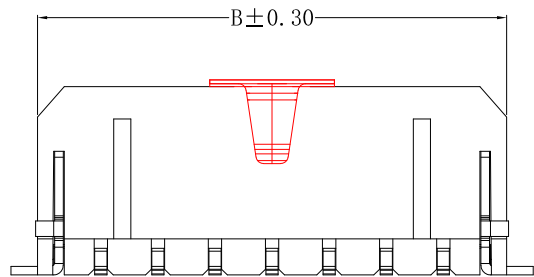
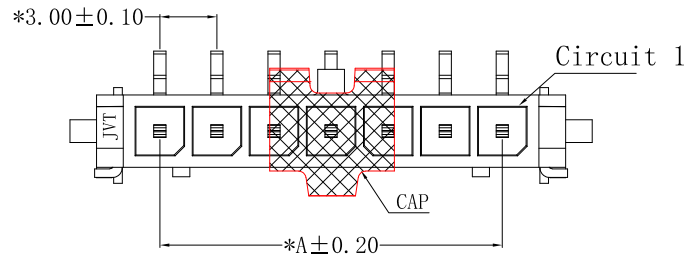


RoHS



P. C. B. LAYOUT



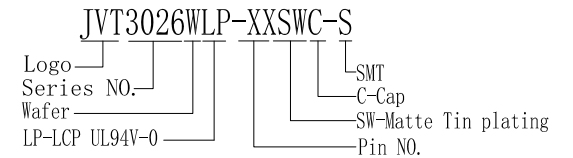
Specifications :

- Voltage rating: 250V AC / DC
- Current rating: 5A AC / DC
- Withstanding voltage: 1500V AC/minute
- Temperature range: -25° C~+85° C
- Insulation resistance: ≥1000MΩ
- Contact resistance: ≤10MΩ
- After environmental testing: ≤20MΩ
- Suitable JVT3025T series Terminal
JVT3025H series Housing
- " * " is the key control size

WAFER

- Material: Base LCP UL94V-0
Contact, Brass Tin-plated
Cap, SUS304

Packing specifications: 300 pcs/Reel



PART NO.	Dimensions (mm)		
	A	B	C
02	3.00	9.65	14.20
03	6.00	12.65	17.20
04	9.00	15.65	20.20
05	12.00	18.65	23.20
06	15.00	21.65	26.20
07	18.00	24.65	29.20
08	21.00	27.65	32.20
09	24.00	30.65	35.20
10	27.00	33.65	38.20
11	30.00	36.65	41.20
12	33.00	39.65	44.20

			GENERAL TOLERANCE			Approved by			Check	Design	Standard	3.0mm Single row WAFER 180° SMT Cap			
			0 ±0.35			LI			CLYDE	LU	P/N	JVT3026WLP-XXSWC-S			
			.0 ±0.30			Unit					Map title	031	Version	A0	
			.00 ±0.20			mm									
			.000 ±0.10			Scale									
Version	Content of change	Date	Signature	Date		Date		Date		Date		Date		Date	
A	B	C	D	E	F	G	H								



Approved by	Check	Design	Standard	3.0mm Single row WAFER 180° SMT Cap		
LI	CLYDE	LU	P/N	JVT3026WLP-XXSWC-S		
			Map title	031	Version	A0