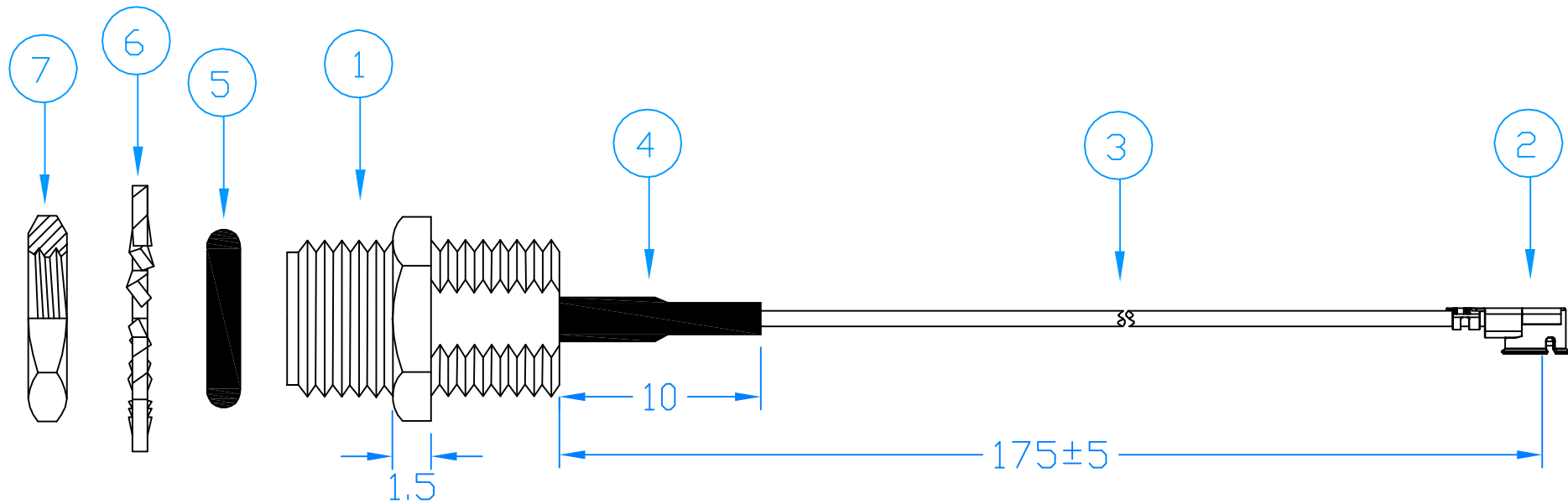


RoHS
Compliance



7	Accessory	1	Nut
6	Accessory	1	Washer
5	Accessory	1	O-Ring
4	Heat Shrink Tube	1	Adhesive Tube
3	Cable	1	1.13MM
2	IPEX MHF Plug	1	20278-112R-13
1	SMA Female Jack	1	KM-011022E 5u" Gold
No.	Specification	QTY	Description

UNLESS OTHERWISE SPECIFIED			*MAJOR DIMENSION			APPROVED		KeMy Electronic Technology Inc.
UNLESS OTHERWISE NOTED TOLERANCES						JOHN		
						CHECKED		
						ALLAN		
						DRAWN		TITLE
						SUSAN		SMA Female Jack-1.13mm-IPEX, L=175mm
						DRAWN DATE		DRAWING NO.
						2014/Aug./07		KM-022017E-0175
								REV
								A