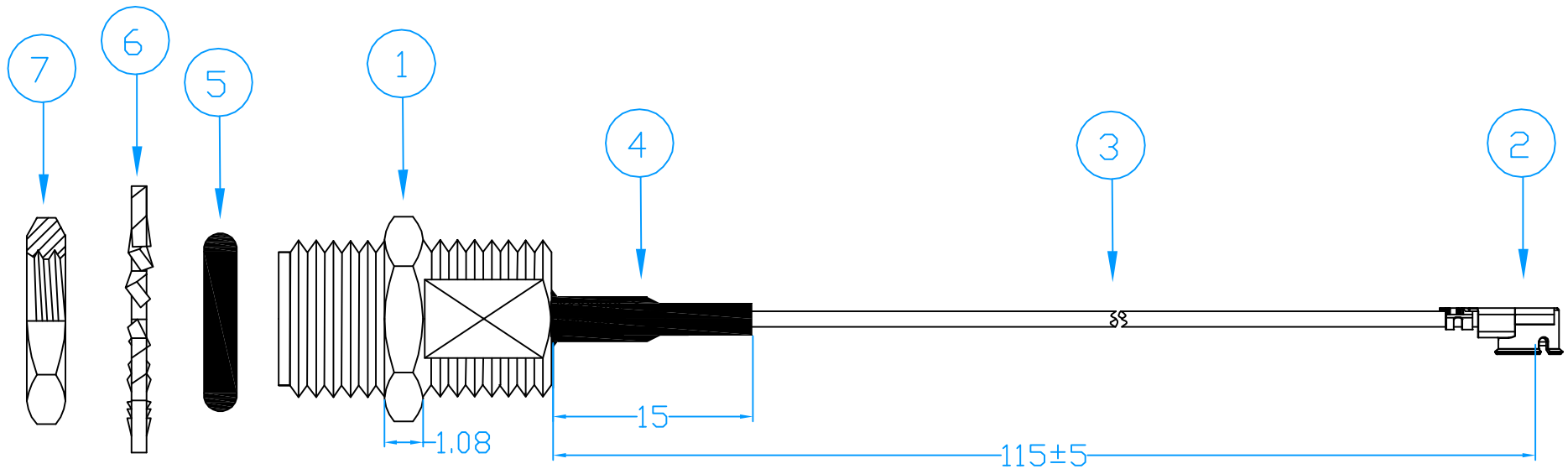



RoHS
Compliance



7	Accessory	1	Nut
6	Accessory	1	Washer
5	Accessory	1	O-Ring
4	Heat Shrink Tube	1	Adhesive Tube
3	Cable	1	1.13MM
2	IPEX	1	20278-112R-13
1	SMA Female Jack	1	KM-011022 Gold: 5u"
NO	Specification	QTY	Description

UNLESS OTHERWISE SPECIFIED		*MAJOR DIMENSION		APPROVED		 KeMy Electronic Technology Inc.	
UNLESS OTHERWISE NOTED TOLERANCES		UNLESS OTHERWISE NOTED TOLERANCES		JOHN			
				CHECKED		TITLE	
				ALLAN			
				DRAWN		SMA Female Jack-1.13mm-IPEX, L=115mm	
				SUSAN			
				DRAWN DATE		DRAWING NO.	
				2013/Oct/15		KM-022032-0115	
				SCALE		REV	
						A	

8 7 6 5 4 3 2 1

E

E

D

D

C

C

B

B

A

A

8 7 6 5 4 3 2 1