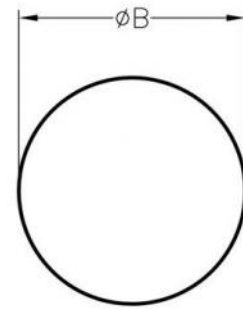
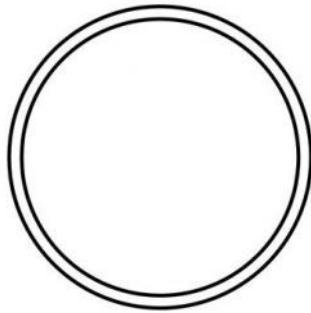
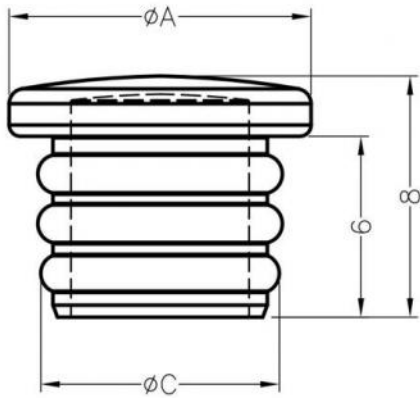


WEBSITE PHOTOS

⚠ This dwg is for reference only, Actual dwg should be based on formal engineering dwg issued by Kang Yang.



MOUNTING HOLE



| | | |
|------|-----|-----|
| A | B | C |
| 10.0 | 7.5 | 7.9 |

Mouting Hole Dimension is only for reference.



康揚企業股份有限公司
 KANG YANG HARDWARE ENTERPRISE CO., LTD.
 康揚塑膠(東莞)有限公司
 KANG YANG PLASTIC(DONG GUAN)CO.,LTD.
 康哲電腦配件(吳江)有限公司
 KANG CHE COMPUTER COMPONENTS(WUJIANG) CO.,LTD.

| | | | | |
|-------------|------|----------------|------------|-----|
| PART NUMBER | | MHD-7.5I | SPEC. DWG. | |
| TITLE | | HOLE PLUGS | | |
| MATERIAL | | SILICON RUBBER | COLOR | |
| SIZE | | A4 | BLACK | |
| SCALE | UNIT | 2:1 | CHECK | Z.C |
| | | mm | | |