



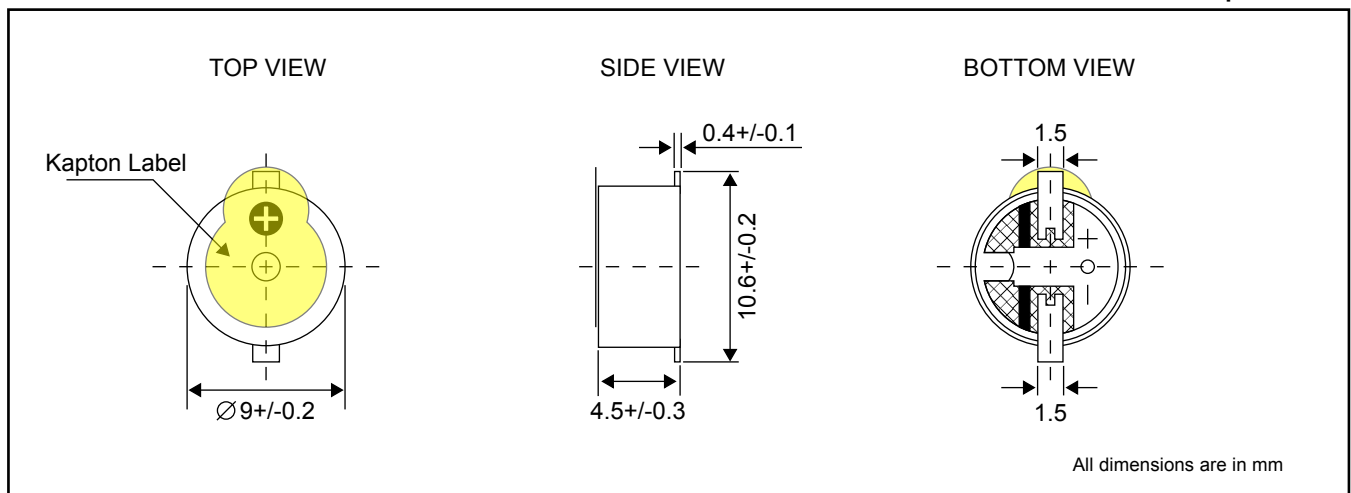
SPL (Hong Kong) Limited

Rm 2507, 25/F, Prosperity Centre, 25 Chong Yip St., Kwun Tong, Kln., HK.
Tel: 852-23426867 / 57 Fax: 852-23426847 Email: sales@spl-hk.com.hk
www.buzzer.com.hk ; www.transducer.com.hk ; www.connector.com.hk

Magnetic Transducer SMT24 series

DIMENSIONS

Date : 26 Sep.,2013



Ref no. : SR109-R



ELECTRICAL SPECIFICATIONS

Model No.	MT24-E5GPSXR	
Operating Voltage	[Vo-p]	4 ~ 6
Rated Voltage	[Vo-p]	5
* Max. Rated Current	[mA]	80
Coil Resistance	[ohm]	30 +/- 3
* Min. Sound Output	[dBA /10cm]	85
Resonant Frequency	[Hz]	2731
Operating Temperature	[°C]	-30 ~ +70
Storage Temperature	[°C]	-30 ~ +85
Terminal		SMD
Housing Material		PPS
Colour		Black
Weight	[gm]	0.6

* Value applying rated voltage [resonant frequency, 1/2 duty, square wave] and recommended circuit [HFE >200, min.2.5mA]