

PERFORMANCE CHARACTERISTICS

Operating Voltage: 50 V Max.
 Current Rating: 0.5 Amp Max.
 Contact Resistance: 20 mΩ Max.
 Insulation Resistance: 50 MΩ Min.
 Dielectric Withstanding Voltage: 250 VAC RMS.
 Operating Temperature: -20°C TO +85°C
 Accommodated FFC/FPC Thickness: 0.30±0.03mm
 Processing Temperature: 245±5° for 30 sec.

MATERIAL

Insulator: NY-9T/NY46
 UL94V-0 Rated
 Slider: PPS
 UL94V-0 Rated
 Terminal: Phosphor Bronze
 ME: Phosphor Bronze
 Plating: Tin Alloy plated

ORDERING INFORMATION

NZ02 10 S R

① ② ③ ④

① **PRODUCT SERIES**

NZ02: 0.5mm ZIF FPC/FFC CONN.
 SIDE ENTRY LOWER CONTACT
 SMT TYPE(BLACK SLIDER)

② **NUMBER OF CONTACTS**

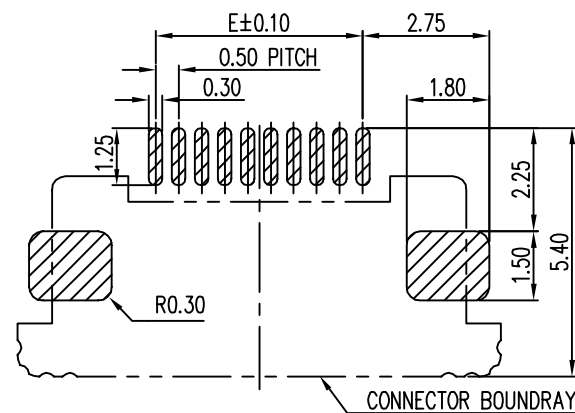
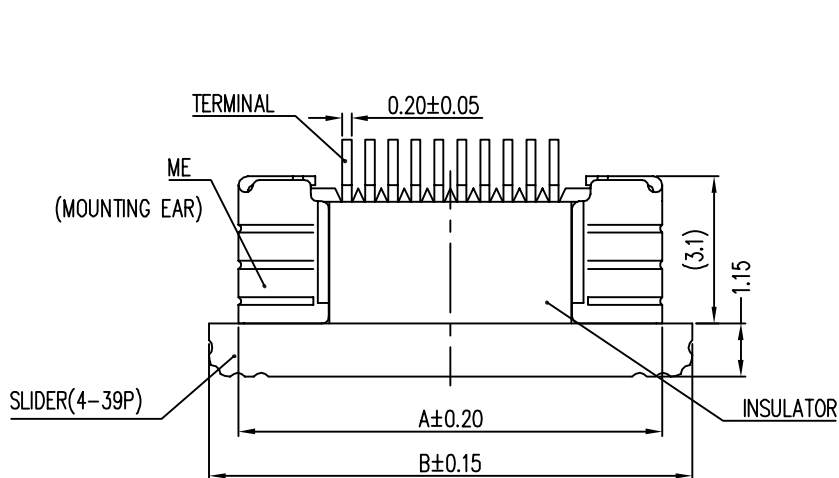
4 TO 54P

③ **CONTACT PLATING**

S: STANDARD
 (Sn/Ni : 120u"/40u")
 G: GOLD
 P: PURE TIN: (TIN/NI: 120u"/40u")

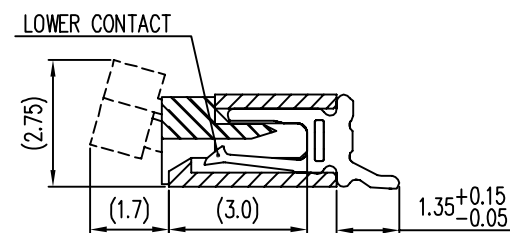
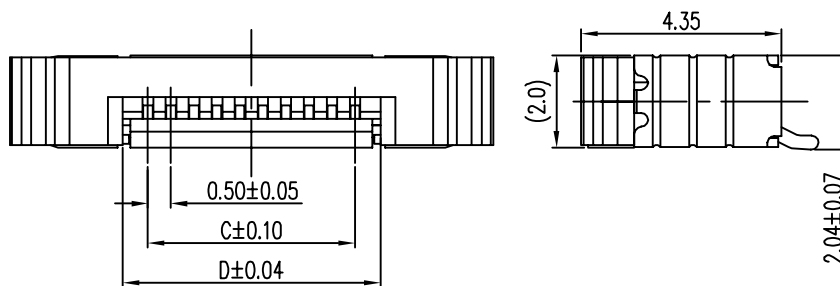
④ **PACKING METHOD**

T: TUBE
 R: TAPE/REEL



(RECOMMEND PCB LAYOUT)

▨ SOLDER AREA



A	INITIAL REVISION	2005.10.28
REV.	DESCRIPTION	DATE
DR.	CHK.	APP.

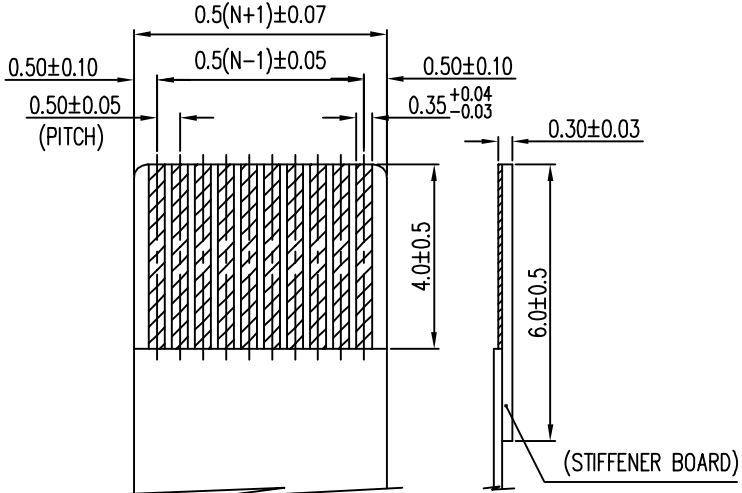
 UNITS: MM	TOLERANCE
	(UNLESS SPECIFIED)
	0.0 ±0.38
	0.00 ±0.20
	0.000 ±0.XX

TITLE:
 0.5mm ZIF FPC/FFC CONNECTOR
 SIDE ENTRY LOWER CONTACT
 SMT TYPE

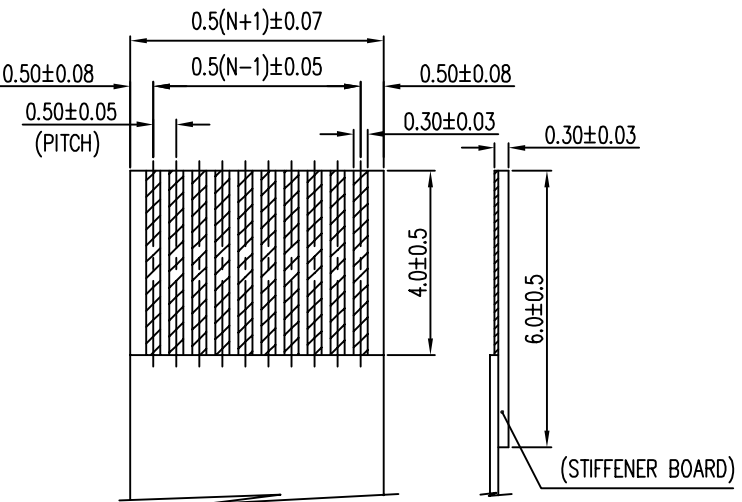
DWG NO.	SERIES	SHEET
NZ02001	NZ02	1/2
FILE PATH	REV.	
PD\NZ\NZ02\NZ02001	A	

TABLE OF DIMENSION

No. OF CONTACTS	A	B	C	D	E
4P	6.20	7.50	1.50	2.62	1.50
5P	6.70	8.00	2.00	3.12	2.00
6P	7.20	8.50	2.50	3.62	2.50
7P	7.70	9.00	3.00	4.12	3.00
8P	8.20	9.50	3.50	4.62	3.50
9P	8.70	10.00	4.00	5.12	4.00
10P	9.20	10.50	4.50	5.62	4.50
11P	9.70	11.00	5.00	6.12	5.00
12P	10.20	11.50	5.50	6.62	5.50
13P	10.70	12.00	6.00	7.12	6.00
14P	11.20	12.50	6.50	7.62	6.50
15P	11.70	13.00	7.00	8.12	7.00
16P	12.20	13.50	7.50	8.62	7.50
17P	12.70	14.00	8.00	9.12	8.00
18P	13.20	14.50	8.50	9.62	8.50
19P	13.70	15.00	9.00	10.12	9.00
20P	14.20	15.50	9.50	10.62	9.50
21P	14.70	16.00	10.00	11.12	10.00
22P	15.20	16.50	10.50	11.62	10.50
23P	15.70	17.00	11.00	12.12	11.00
24P	16.20	17.50	11.50	12.62	11.50
25P	16.70	18.00	12.00	13.12	12.00
26P	17.20	18.50	12.50	13.62	12.50
27P	17.70	19.00	13.00	14.12	13.00
28P	18.20	19.50	13.50	14.62	13.50
29P	18.70	20.00	14.00	15.12	14.00
30P	19.20	20.50	14.50	15.62	14.50
31P	19.70	21.00	15.00	16.12	15.00
32P	20.20	21.50	15.50	16.62	15.50
33P	20.70	22.00	16.00	17.12	16.00
34P	21.20	22.50	16.50	17.62	16.50
35P	21.70	23.00	17.00	18.12	17.00
36P	22.20	23.50	17.50	18.62	17.50
37P	22.70	24.00	18.00	19.12	18.00
38P	23.20	24.50	18.50	19.62	18.50
39P	23.70	25.00	19.00	20.12	19.00
40P	24.20	25.50	19.50	20.62	19.50
41P	24.70	26.00	20.00	21.12	20.00
42P	25.20	26.50	20.50	21.62	20.50
43P	25.70	27.00	21.00	22.12	21.00
44P	26.20	27.50	21.50	22.62	21.50
45P	26.70	28.00	22.00	23.12	22.00
46P	27.20	28.50	22.50	23.62	22.50
47P	27.70	29.00	23.00	24.12	23.00
48P	28.20	29.50	23.50	24.62	23.50
49P	28.70	30.00	24.00	25.12	24.00
50P	29.20	30.50	24.50	25.62	24.50
51P	29.70	31.00	25.00	26.12	25.00
52P	30.20	31.50	25.50	26.62	25.50
53P	30.70	32.00	26.00	27.12	26.00
54P	31.20	32.50	26.50	27.62	26.50



APPLICABLE FPC
RECOMMENDED DIMENSION



APPLICABLE FFC
RECOMMENDED DIMENSION

A	INITIAL REVISION	2005.10.28
REV.	DESCRIPTION	DATE
DR.	CHK.	APP.



**TOLERANCE
(UNLESS SPECIFIED)**

0.0	±0.38
0.00	±0.20
0.000	±0.XX

TITLE:
0.5mm ZIF FPC/FFC CONNECTOR
SIDE ENTRY LOWER CONTACT
SMT TYPE

DWG NO.	SERIES	SHEET
NZ02001	NZ02	2/2
FILE PATH	REV.	
PD\NZ\NZ02\NZ02001	A	