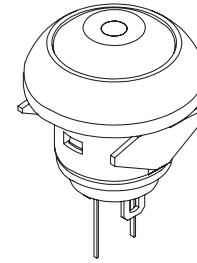
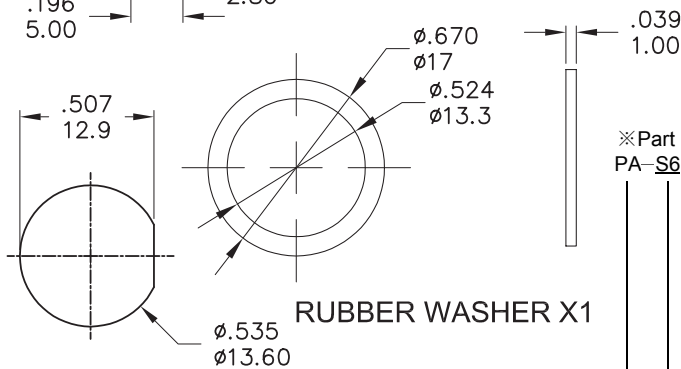
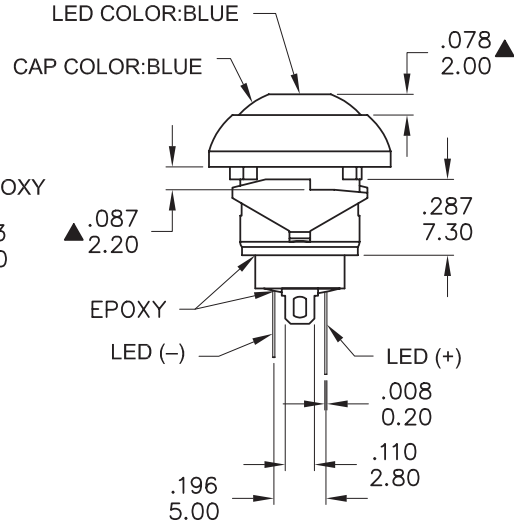
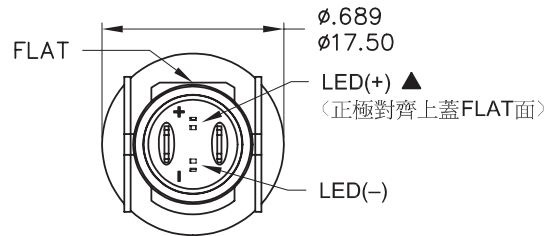
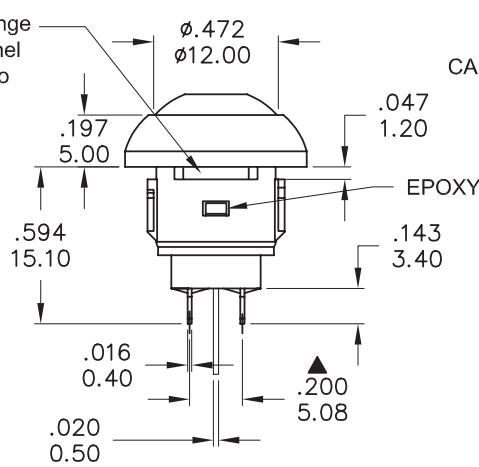


DIMENSIONS

FLAT on flange used for panel orientation to LED(+)



Model No.	POS.1	POS.2
PA-S6	OFF	MOM
Term. Comm.	OPEN	SHORT
SCHEMATIC		

SWITCH FUNCTION

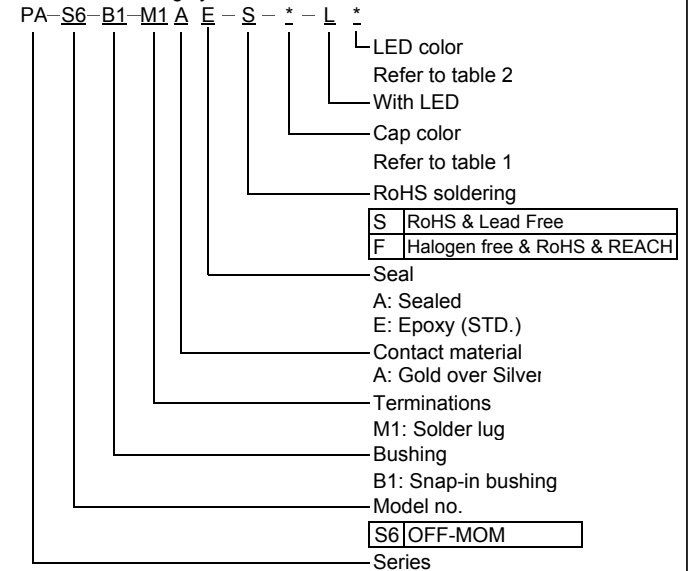
SPECIFICATIONS

- Max. current/voltage rating with resistive load:** 400mA 32VAC - 100 mA 50VDC - 125 mA 125VAC.
- INITIAL CONTACT RESISTANCE:** 50 mΩ max.
- INSULATION RESISTANCE:** 1 GΩ min. at 500VDC.
- DIELECTRIC STRENGTH:** 1,000 VAC rms.
- ELECTRICAL LIFE AT FULL LOAD:** 500,000 cycles.
- PANEL THICKNESS:** 0.8 mm (.031) min. - 1.8 mm (.071) max.
- TOTAL TRAVEL:** 1.5 mm (.059).
- OPERATING FORCE:** 2N~5N.
- CONTACT BOUNCE:** 10 ms.
- MECHANICAL LIFE:** 1,000,000 cycles.
- TORQUE:** 1.5 Nm max. applied to nut.
- SOLDERING:** 350°C max. for 5 seconds.
- MATERIALS**
- CASE:** Diallyl phthalate (DAP)(UL94v-0).
- CAP:** Polyamide 6/6.
- BUSHING:** Polyamide 6/6.
- TERMINAL/CONTACTS:** Gold over silver plated.

PA WITH LED ELECTRO-OPTICAL DATA :

Lens Appearance	Color	Electro-optical Data (AT 20mA)				Viewing Angle 2θ 1/2 (deg)
		Vf(V)		Iv(mcd)		
		Typ.	Max.	Min.	Typ.	
Water Clear	White (AT 5mA)	3.2	3.6	94	250	35°
	Super Red	1.7	2.6	28	60	
	Super Yellow	2.1	2.6	94	200	
	Super Green	2.0	2.6	42	100	
	Super Blue	3.2	3.6	63	150	

※Part numbering system



廣容科技股份有限公司
PACER TECHNOLOGY CO., LTD.

Part no.: PA-S6-B1-M1AA-S-x-Lx	Check	Design	Drawn
Dwg. no.: B0912005	REVISION	0	
Part name: Push switch	David	Andrew	
	2009/12/07	2009/12/07	

Unit: mm[Inch]	Scale:	Normal tolerance	
Projection:		Range	Tolerance
		-----	± 0.3