

USB A TYPE VERTICAL 4PIN DIP

MATERIAL

Insulator: PBT+GF UL 94V-0
 Color: White
 Contact: Phosphor bronze t=0.25mm
 Contact plating: Gold/Tin plated
 Shell: Brass t=0.3mm
 Shell plating: Nickel plated

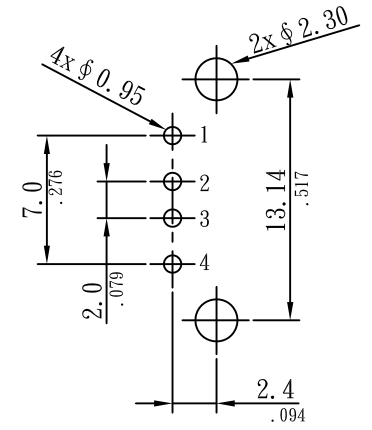
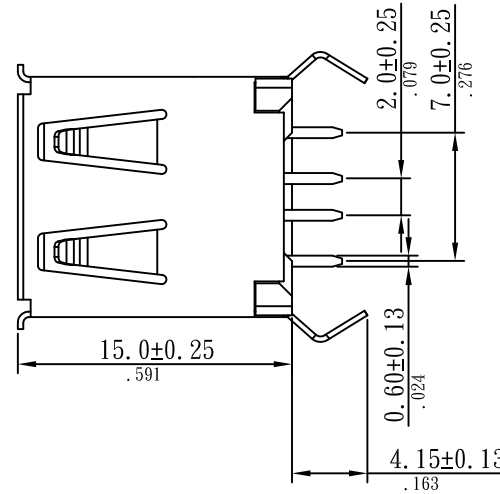
SPECIFICATIONS

Temperature range: -55°C~+85°C
 Current rating: 1.5A AC Min.
 Voltage rating: 250V AC Min.
 Dielectric withstand voltage: 500V AC
 Insulation resistance: 1000 MΩ Min.
 Contact resistance: 0.03Ω Max.

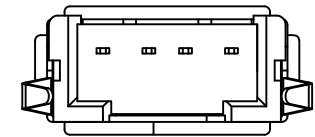
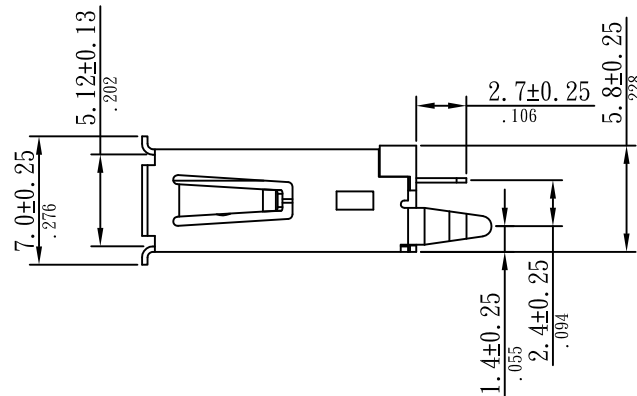
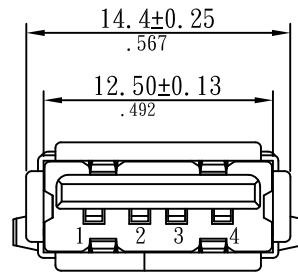
Order Information

R 2950-A S-X-01
 1 2 3 4 5

1. RoHS
2. Series No.
3. A type
4. Straight type
5. Color: J=White A=Black



PCB LAYOUT
(TOLERANCE=±0.05)



S.Y.E. Sunny Young Enterprise Co., Ltd.
 S. Y. E <http://www.sunnyyoung.com.tw>
 13F., No.116, Sec.1, Xintai 5th Rd., Xizhi Dist., New Taipei City 221, Taiwan (R.O.C.)
 Tel:+886 2 2696 1668(REP) Fax:+886 2 2696 2668

M158	NAME	DATE	SCALE: 1:2.5	REV NO	DATE	DESCRIPTION	BY	CHECKED	TOLERANCE UNLESS NOTED	
DRAWN	STEVEN	2013. 12. 20	UNIT: mm(in.)	A					LINEAR±	.0 ±0.30(.012)
CHECKED	SEAN	2013. 12. 23	CAD NO	B						.00 ±0.20(.008)
APPROVED	TINA	2013. 12. 25	R2950-AS-X-01	C						.000±0.10(.004)
PART NO	R2950-AS-x-01								PROJECTION:	