

2.00mm(.079") WAFER 180° SMT TYPE

MATERIAL

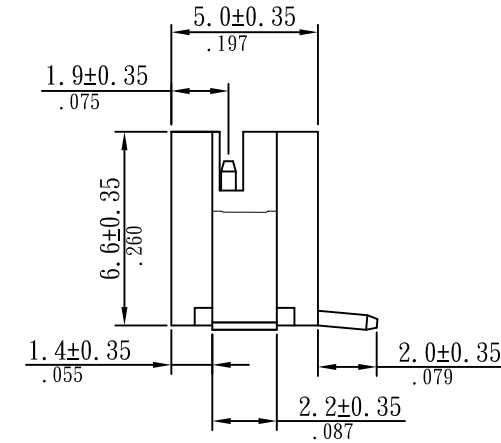
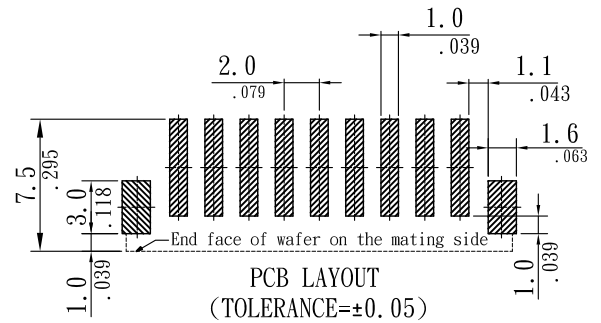
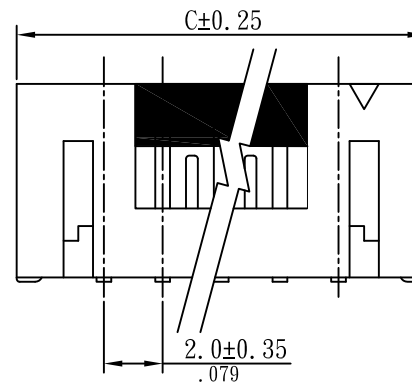
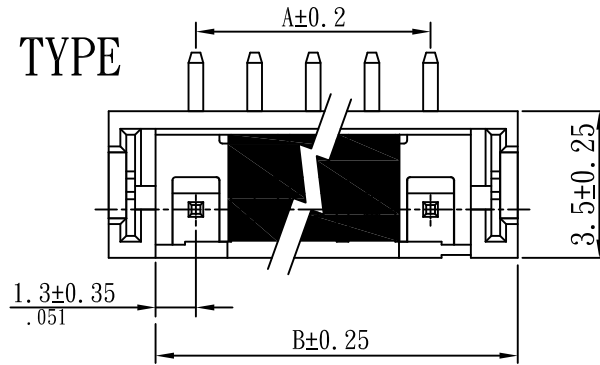
Insulator: Nylon 6T UL 94V-0
 Color: Beige
 Contact: Brass 0.50mm(.020") square pins
 Plating: Tin plated

SPECIFICATIONS

Temperature range: -25°C ~ +85°C
 Current rating: 2A AC/DC
 Voltage rating: 100V AC/DC
 Dielectric withstand voltage: 800V AC
 Insulation resistance: 1000 MΩ Min.
 Contact resistance: 0.02Ω Max.

R 5501-xx T S-SMT-R-CAP
 1 2 3 4 5 6 7 8

1. RoHS
2. Series
3. Pin NO.
4. Tin plated
5. Straight angle
6. SMT type
7. Reel
8. Cap



Dimensional Information

| Circuits | Dim. A | Dim. B | Dim. C | Circuits | Dim. A | Dim. B | Dim. C |
|----------|--------------|--------------|--------------|----------|--------------|--------------|--------------|
| 2 | 2.00(0.079) | 4.80(0.189) | 8.00(0.315) | 10 | 18.00(0.709) | 20.80(0.819) | 24.00(0.945) |
| 3 | 4.00(0.157) | 6.80(0.268) | 10.00(0.394) | 11 | 20.00(0.787) | 22.80(0.898) | 26.00(1.024) |
| 4 | 6.00(0.236) | 8.80(0.346) | 12.00(0.472) | 12 | 22.00(0.866) | 24.80(0.976) | 28.00(1.102) |
| 5 | 8.00(0.315) | 10.80(0.425) | 14.00(0.551) | 13 | 24.00(0.945) | 26.80(1.055) | 30.00(1.181) |
| 6 | 10.00(0.394) | 12.80(0.504) | 16.00(0.630) | 14 | 26.00(1.024) | 28.80(1.134) | 32.00(1.260) |
| 7 | 12.00(0.472) | 16.80(0.661) | 18.00(0.709) | 15 | 28.00(1.102) | 30.80(1.126) | 34.00(1.339) |
| 8 | 14.00(0.551) | 18.80(0.740) | 20.00(0.787) | 16 | 30.00(1.181) | 32.80(1.291) | 36.00(1.417) |
| 9 | 16.00(0.630) | 20.80(0.819) | 22.00(0.866) | | | | |



Sunny Young Enterprise Co., Ltd.

S. Y. E. <http://www.sunnyyoung.com.tw>

13F., No. 116, Sec. 1, Xintai 5th Rd., Xizhi Dist., New Taipei City 221, Taiwan

Tel: +886 2 2696 1668(REP) Fax: +886 2 2696 2668

PART NO

R5501-xxTS-SMT-R-CAP

| S003 | NAME | DATE | SCALE: 1:6 | REV NO | DATE | DESCRIPTION | BY | CHECKED | TOLERANCE UNLESS NOTED | |
|----------|-------|--------------|----------------------|--------|------|-------------|----|---------|------------------------|-----------------|
| DRAWN | SONIA | 2015. 04. 16 | UNIT: mm(in.) | A | | | | | LINEAR± | .0 ±0.30(.012) |
| CHECKED | SEAN | 2015. 04. 16 | CAD NO | B | | | | | | .00 ±0.20(.008) |
| APPROVED | TINA | 2015. 04. 16 | R5501-xxTS-SMT-R-CAP | C | | | | | | .000±0.10(.004) |
| | | | | | | | | | PROJECTION: | |