




Wah Hing Transformer MFY. LTD.

華興變壓器製造廠有限公司
 香港九龍官塘興業街 15-17 號中美中心 A 座 12-13 樓
 12&13/F, Blk. A, Chung Mei Centre, 15-17 Hing Yip St., Kwun Tong, Kowloon, Hong Kong
 Tel: 852-2341 2297 Fax: 852-2341 5941 E-mail: mkt@wahhing.com.hk

SPECIFICATION FOR APPROVAL

Customer: WAH HING TRANSFORMER MFY. LTD		
Customer P/N:	Customer Rev.:	
Customer Model No.:	Customer ID: W050	
Wah Hing Model No.: T08341B	Wah Hing Rev.: 00	
Article: AC POWER TRANSFORMER (CLASS B)		
Standard: EN61558-2-6	Safety No.:	
Catalog No.: V30AJ-15AFP7	Date: 2010-02-24	
Remarks: <i>Please note items listed in page.2 that requires your consent for deviation.</i>		
		
Designed/Maker	Checked by	Approved by

Please evaluate the samples, sign this approval sheet and return to WAH HING

- Approved
- Rejected
- Conditional Approved

Comments:

Customer Approved by : _____

Signature & Date

WH 華興變壓器製造廠有限公司
WAH HING TRANSFORMER MFY. LTD.
PRODUCT SPECIFICATION

Deviation and History

Please note items listed below does not meet your specifications and requires your consent for deviation:

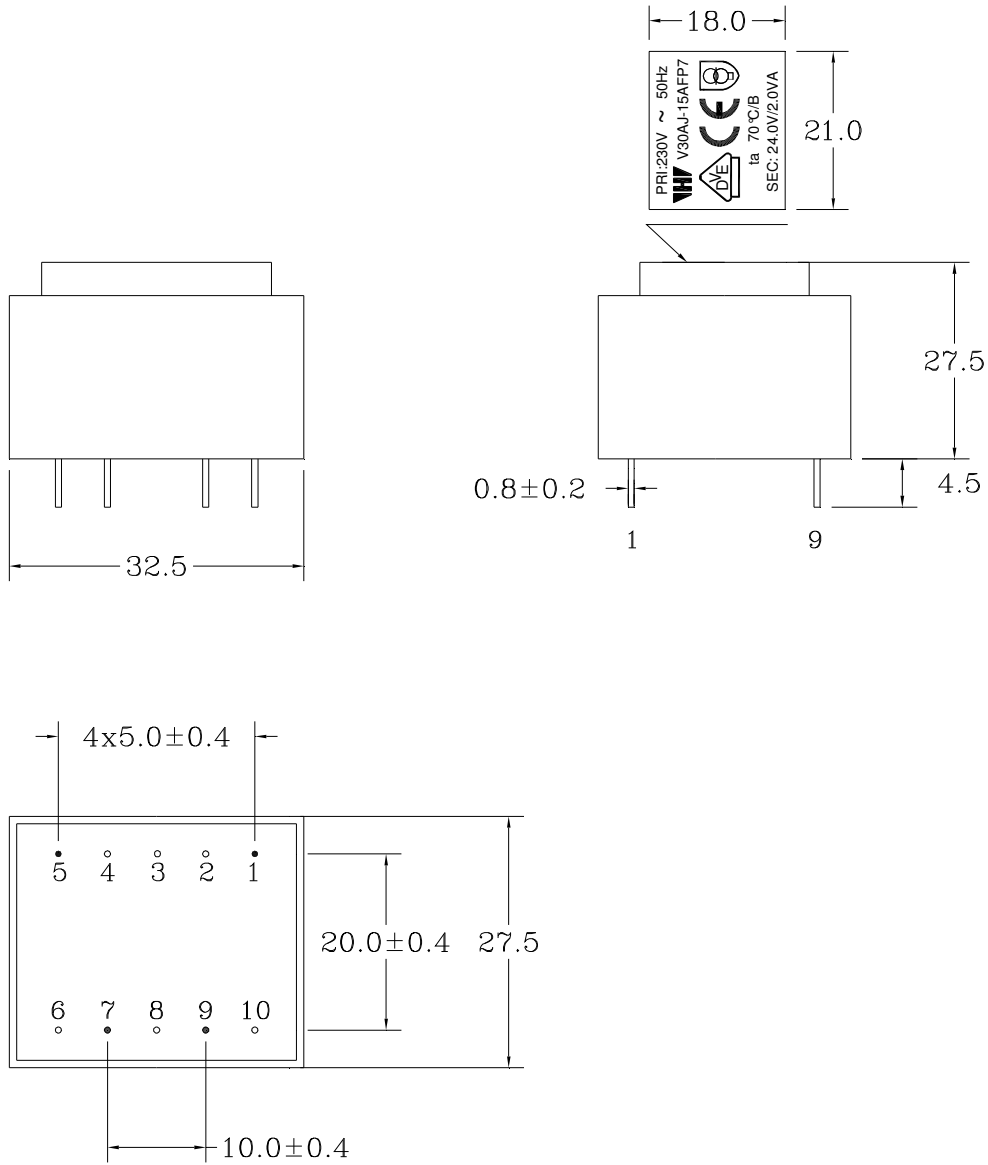
Item	Customer specification	Suggestion specification
1		
2		
3		
4		

Remarks:

△8				
△7				
△6				
△5				
△4				
△3				
△2				
△1				
--	00	Initial Issue	Deng	2010-02-24
Item	Rev	Description	Sign	Date
History				
Customer P/N:			Wah Hing Model No.: T08341B	

華興變壓器製造廠有限公司
WAH HING TRANSFORMER MFY. LTD.
PRODUCT SPECIFICATION

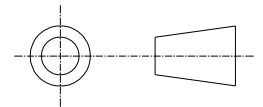
Dimensions and Diagram



Notes:

1. Unit: mm
2. Marking: is pad-print on top of case, letter in white, background in black
3. Pins exist at position: 1, 5, 7, 9
4. The other tolerance is follows:

x.	1.5
.x	1.0
.xx	0.50



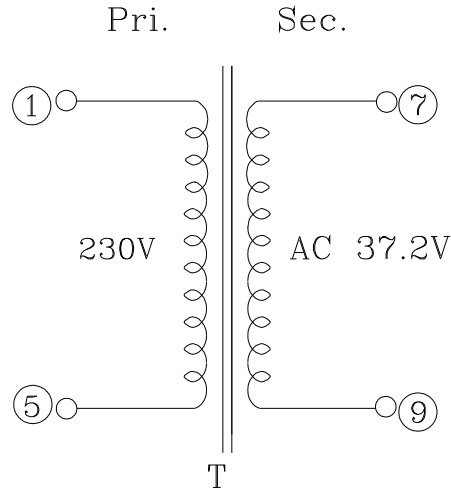
Customer P/N:

Wah Hing Model No.: T08341B

華興變壓器製造廠有限公司
WAH HING TRANSFORMER MFY. LTD.
PRODUCT SPECIFICATION

Electrical Characteristics

Circuit diagram:



T ---- Transformer

Remark: Inherently short-circuit proof safety isolating transformer

Tabel-1: Secondary loaded voltage:

Primary input			S1	S2	S3	S4	S5
230Vac 50 Hz	Rated load	Load	83mA				
		Standard	24.0Vac				
230Vac 50Hz	1	No Load	0mA				
		Standard	37.8Vac				
253Vac 50 Hz	2	Load					
		Standard					
207Vac 50 Hz	3	Load					
		Standard					
	4	Load					
		Standard					

Tabel-1 notes:

1. If not specified, the secondary voltage tolerance is $\pm 10\%$.
2. Ambient temperature : 70°C

Customer P/N:

Wah Hing Model No.: T08341B

華興變壓器製造廠有限公司
WAH HING TRANSFORMER MFY. LTD.
PRODUCT SPECIFICATION

Electrical Characteristics

Standard atmospheric conditions:

Unless otherwise specified, the standard range of atmospheric conditions for marking measurements and tests are as follows:

Ambient temperature : 15°C to 35°C

Relative humidity : 25% to 85%

If there is doubt about the results, measurement shall be made within the following limits:

Ambient temperature : 20°C ± 1°C

Relative humidity : 63% to 67%

Operating temperature range:

-10°C to +70°C

1	Output voltage and current	<input checked="" type="checkbox"/> Measured in a.c. circuit <input type="checkbox"/> D.C. circuit including rectifying circuit	Refer to Page 3
2	Rated primary voltage	<input checked="" type="checkbox"/> 50Hz <input type="checkbox"/> 60HZ <input type="checkbox"/> Both 50Hz and 60Hz	<u>230</u> V
3	No load current	Input <u>230</u> Vac, <u>50</u> Hz	<u>28</u> mA or less
4	Stand-by consumption	Input <u>230</u> Vac, <u>50</u> Hz	<u>---</u> W or less
5	Secondary voltage		Refer to Page 4
6	Insulation resistance	Apply a voltage of 500V d.c. for 1min.: Between the primary and core Between the primary and secondary	<u>100</u> M Ω or more
7	Dielectric strength	Between primary and secondary: <u>3.75</u> KVac for 1min. 2mA	No damage such as Breakdown, etc.
8	Layer dielectric strength	Apply <u>(A)</u> V, 400Hz for 15s to the primary terminal of <u>(B)</u> V. (A) <u>460</u> V, (B) <u>230</u> V	No damage such as Breakdown, etc.
9	Primary direct Current resistance	Between terminals of <u>--</u> and <u>--</u>	<u>----</u> Ω
10	Secondary direct Current resistance	Between terminals of <u>--</u> and <u>--</u>	<u>----</u> Ω
11	Temperature rise	The voltage of <u>(A)</u> V shall be applied to the primary terminal of <u>(B)</u> V. Measurement shall be made after constant temperature are reached. (A) <u>243.8</u> V, (B) <u>230</u> V Secondary load conditions: <input type="checkbox"/> All at the rated current <input checked="" type="checkbox"/> The input voltage is increased by 6% after the rated current is set. <input type="checkbox"/> The rated current is set, with the input voltage 10% high. <input checked="" type="checkbox"/> Other (Ta=70°C)	Windings up to: <u>50</u> K. (by the resistance method) Iron core up to: <u>----</u> K. (by the thermometer method)

Customer P/N:

Wah Hing Model No.: T08341B

華興變壓器製造廠有限公司
WAHING TRANSFORMER MFY. LTD.
PRODUCT SPECIFICATION

Electrical Characteristics				
12	Damp heat	<p>The power transformer shall be stored at an ambient temperature of 40°C±2°C with relative humidity of 90% to 95% for 48h. Then condensation shall be removed. After which measurement shall be made within 10 min.</p>	Insulation resistance	5M Ω or more
			Dielectric strength	Clause 7 shall be satisfied. Trip current 5mA
13	Dry heat	<p>The power transformer shall be stored at an ambient temperature of 100°C±3°C for 6h. After which measurement shall be made within 10 min.</p>	Insulation resistance	5M Ω or more
			Dielectric strength	Clause 7 shall be satisfied. Trip current 5mA
14	Abnormal temperature test	<input type="checkbox"/> 15-day test <input checked="" type="checkbox"/> Short-circuit and overload test with	Windings up to: <u>175 K</u>	
15	Beat noise (Hum)		---- dB or less	
16	Thermo-protector	Primary windings built in / thermal fuse.		
17	Mass		<u>96.2g</u> (reference)	

CONSTRUCTION DIAGRAM AND MATERIAL LIST

1. Internal construction

- (1) Lead wire and winding shall be connected by twisting together.
- (2) Thickness and materials of insulation and also creepage, clearance and thickness of insulation, shall conform to applicable safety standard.

2. Tensile strength of terminals (pins)

A load of 20 N shall be applied in the axial direction. When it is retained for 10±1 seconds, there shall be no loosening or breakdown.

For one not exceeding 2 Kg, the static load same with the self weight shall be applied.

3. Appearance

There shall be no scratches, dents, or distinct blemishes on the body, pin.

4. Fitting strength

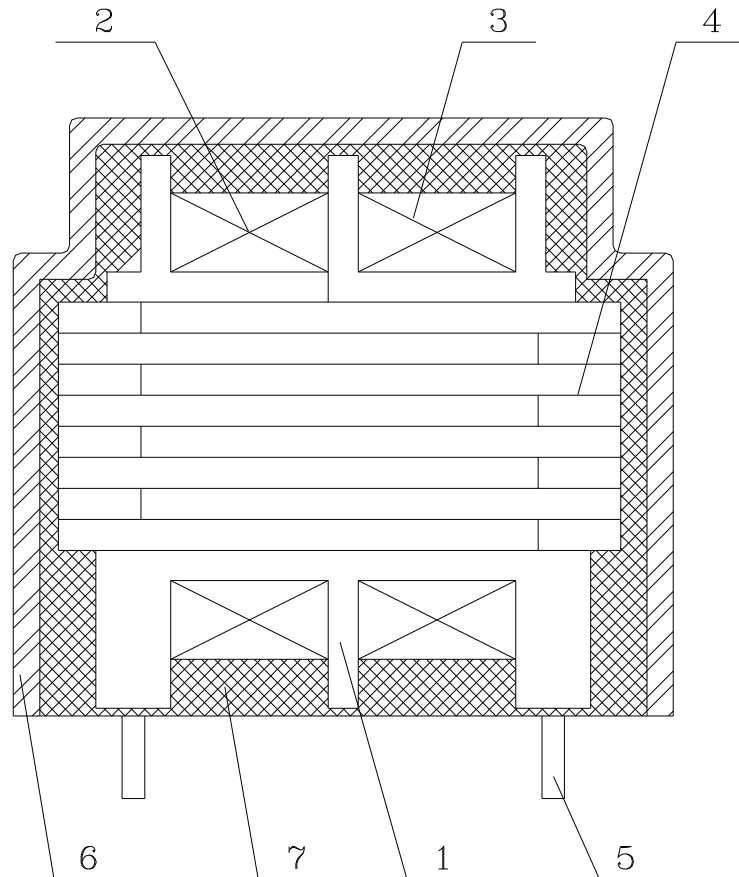
There shall be no damage such as deformation when a static load of 20 N is applied in all directions for 30 s.

Customer P/N:

Wah Hing Model No.: T08341B

華興變壓器製造廠有限公司
WAH HING TRANSFORMER MFY. LTD.
PRODUCT SPECIFICATION

Construction Diagram



- | | |
|----------------------|---------------------|
| 1. BOBBIN | 5. PIN |
| 2. PRIMARY WINDING | 6. POTTING BOX |
| 3. SECONDARY WINDING | 7. POTTING MATERIAL |
| 4. LAMINATION CORE | |

Customer P/N:

Wah Hing Model No.: T08341B



ELECTRICAL TESTING DATA SHEET

[MSF No: 1002024]

Condition: Input: 230 Vac; 50 Hz		Room Temperature: 25 °C										
DESCRIPTION	SPEC	Pin No.	1	2	3	4	5	6	7	8	9	10
Pri Exec Io(mA) (MAX)	18.0 mA max.		9.5	9.1	9.5	9.1	9.1	9.8				
Pri DCR(Ω)			2527	2526	2518	2514	2523					
NO load (W)			0.48	0.46	0.45	0.45	0.5					
Sec V _o (VAC)	37.8V ± 10%		37.96	37.96	37.95	37.89	37.91					
Vs AC 83mA	24.2V ± 10%		25.78	25.88	26.0	25.99	26.0					
IP:			16.5									
PP:			2.64									
Hi-Pot Test :												
Primary - Secondary & Core	37.5kV / 1mm		✓	✓	✓	✓	✓	✓				
Secondary - Core												
Insulation Resistance	≥ 100MΩ		✓	✓	✓	✓	✓	✓				
Hi-Pot Test Equipment :	<input type="checkbox"/> PM-106 <input checked="" type="checkbox"/> 1MWV58 <input checked="" type="checkbox"/> 1MWV66								<input checked="" type="checkbox"/> OK	<input type="checkbox"/> NG		
Customer : WAHHING		Cust. P/N:							Rev No.: 00	Chg No.: 00		
Wahhing Model No.: 7082412		Tested By: [Signature]							Approved By: [Signature]	Date: 26/2-10		