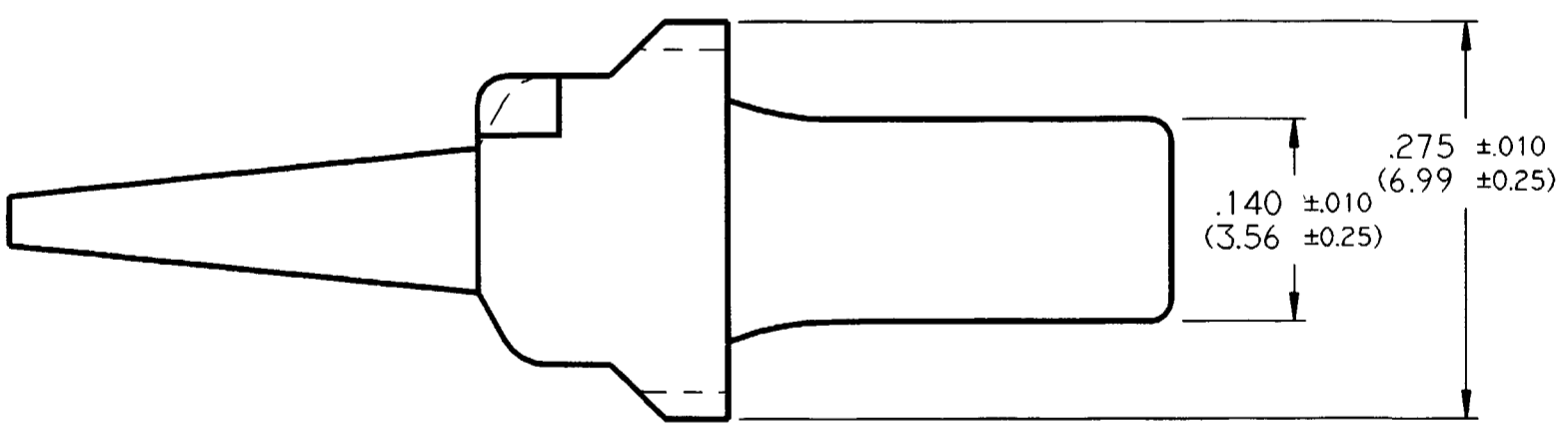
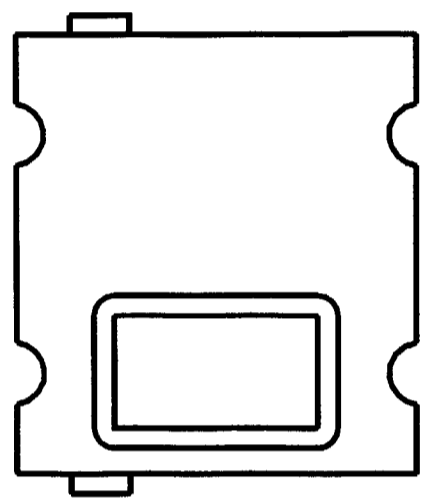
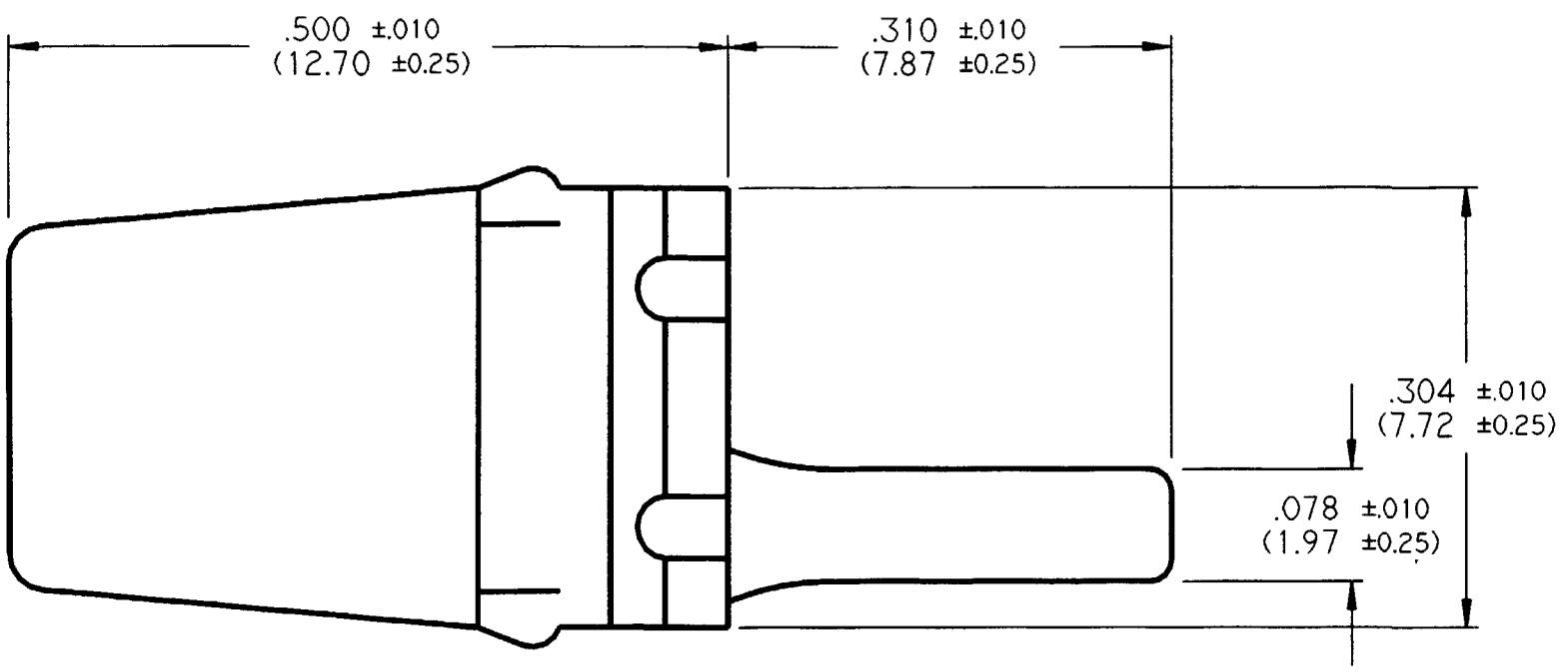


REV NC **WM - 4P**

| REVISIONS | | | |
|-----------|-----------------------------|----------|----------|
| SYM | DESCRIPTION | DATE | APPROVED |
| NC | NEW RELEASE PER E.O. A14914 | 10-27-95 | RDR |
| | | | |
| | | | |
| | | | |



- NOTES:
1. DIMENSIONS ARE IN INCHES (METRIC).
 2. DIMENSIONS ARE FOR REFERENCE ONLY.
 3. THIS PART MATES WITH DTM04-4P RECEPTACLE.
 4. COLOR = ORANGE.

| SIGNATURE & DATE | |
|------------------|--|
| DR | V.TOMSA OCT-23-95 |
| CHK | |
| PE | <i>Handwritten Signature</i> OCT-27-95 |
| APPD | <i>R. Reel</i> 10-27-95 |
| SCALE 8:1 | WT |

**WEDGE LOCK FOR
4 PIN RECPT.
HOUSING
DTM SERIES**

ENVELOPE

| | |
|--|-------------------------|
| CP | MATL CODE |
| The Deutsch Company DEUTSCH I.P.D. 37140 INDUSTRIAL AVE. HEMET, CALIF. 92343 | |
| B | WM - 4P |
| DWG SIZE | CODE 11139 SHEET 1 OF 1 |