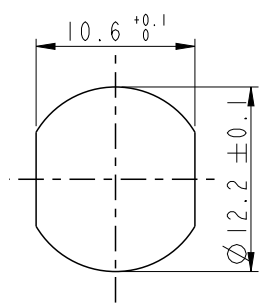


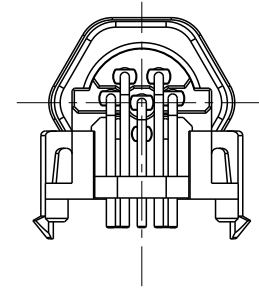
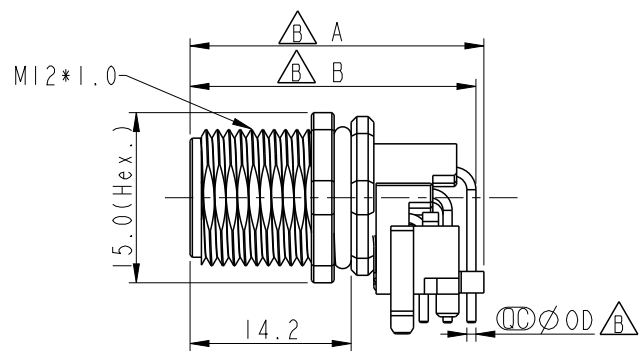
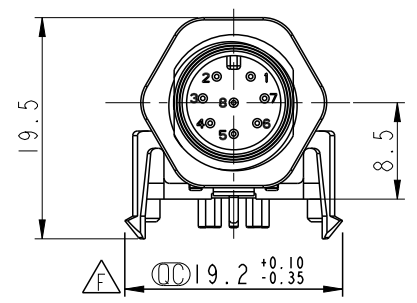
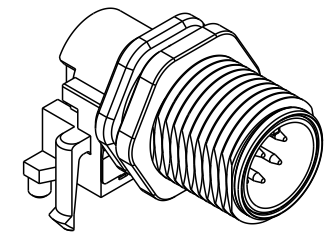
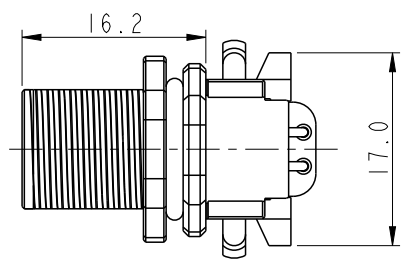
THIS DOCUMENT IS SUBJECT TO CHANGE WITHOUT NOTICE. IT IS CONFIDENTIAL AND A PROPERTY OF Amphenol LTW. DISCLOSURE TO THIRD PARTY HAS TO BE AUTHORIZED BY Amphenol LTW.

REV.	ECN NO.	DATE	SIGN	DESCRIPTION
D	C210309	2021-03-10	Ruru	$\triangle D$ X4
E	C221973	2022-12-26	Ruru	$\triangle E$ X1
F	C231051	2023-08-11	Jack Liu	$\triangle F$ X1



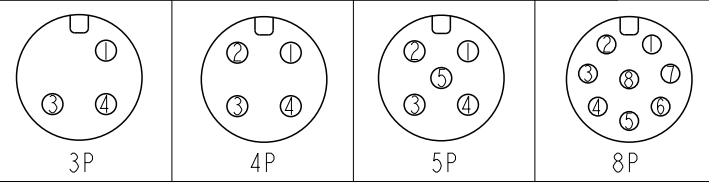
Recommended Panel Cut-Out

$\triangle D$ MSAS-XXPMMR-SF7003
XX: No. Of Pin

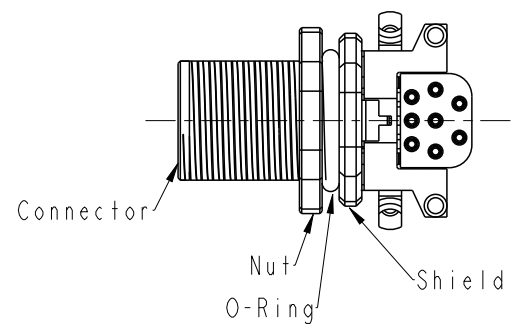


MSAS-03PMMR-SF7003	26.1	25.0	1.0
MSAS-04PMMR-SF7003	26.1	25.0	1.0
MSAS-05PMMR-SF7003	26.1	25.0	1.0
MSAS-08PMMR-SF7003	25.9	25.2	0.8

Item No.	A	B	OD	$\triangle B$
----------	---	---	----	---------------



Pin Assignment Front View



- $\triangle D$ Note:
- * RoHS Compliant
 - * ⌀ Important dimension
 - $\triangle E$ * Waterproof rate: IP67, mated Connector
 - * Housing: Thermoplastic, Black
 - * Pin: Copper alloy, Gold plated
 - * O-Ring: Rubber, Black
 - * Shield: Metal
 - * Nut: Metal
 - * O-Ring: Rubber, Gray
 - * For panel thickness max: 3.0mm
 - $\triangle C$ * For pcb thickness max: 1.6mm
 - * Nut is packed separately in pe bag

UNIT: mm		TITLE	
TOLERANCE	± 0.25	N SEN, M12 A -SHLD, SCREW RECEPTACLE, M, M, PCB R $\triangle D$	
.X	± 0.1	SCALE	3:2
.XX	± 0.1	SIZE	A4
.XXX	± 0.05	SHEET	1 OF 2
ANGLES	$\pm 1^\circ$	REV.	F
		WC-REV.	A.3
		⌀	Inspection item

Amphenol LTW
安費諾亮泰企業股份有限公司

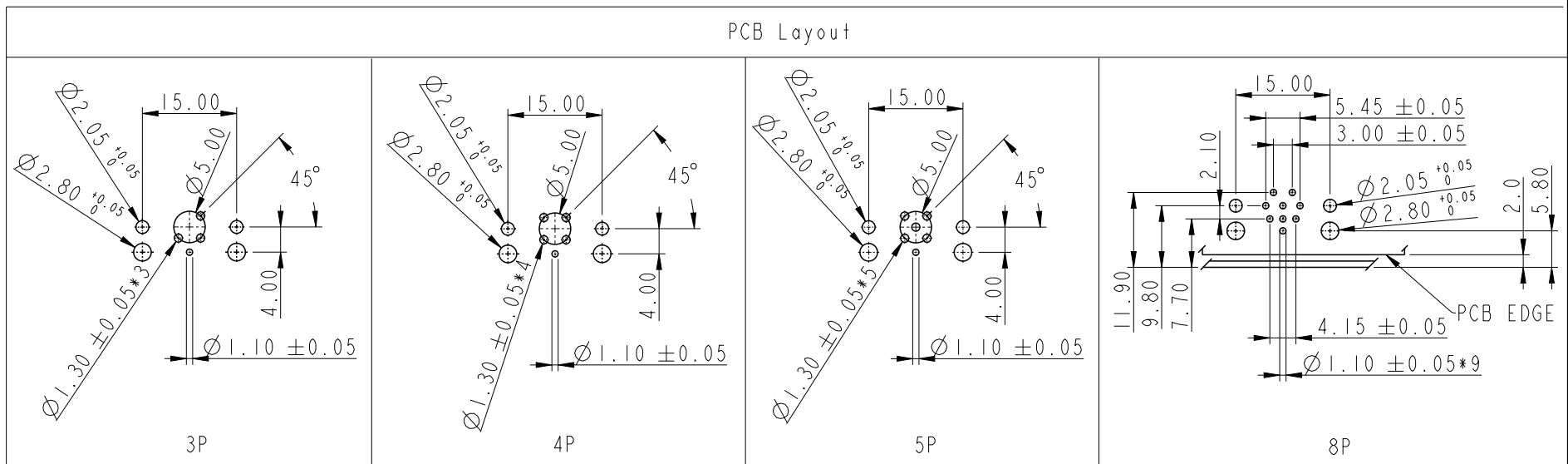
ITEM NO.	DRAWN BY	DATE
DWG NO.	Su Nan	2019-03-21
MSAS-XXPMMR-SF7003	CHECKED BY	DATE
	Feng	2019-03-21
CUSTOMER	APPROVED BY	DATE
ALTW	Jerry	2019-03-21

THIS DOCUMENT IS SUBJECT TO CHANGE WITHOUT NOTICE. IT IS CONFIDENTIAL AND A PROPERTY OF Amphenol LTW. DISCLOSURE TO THIRD PARTY HAS TO BE AUTHORIZED BY Amphenol LTW.

1 2 3 4 5 6 7 8

F
E
D
C
B
A

PCB Layout



A	UNIT: mm			TITLE	N SEN, M12 A -SHLD, SCREW RECEPTACLE, M, M, PCB R			ITEM NO	DRAWN BY	DATE
	TOLERANCE	.X ±0.25	.XX ±0.1	SCALE	3:2	SIZE	A4	DWG NO	CHECKED BY	DATE
	.XXX ±0.05	ANGLES	±1°	REV.	F	WC-REV.	A.3	CUSTOMER	APPROVED BY	DATE
				SHEET	2	OF	2	ALTW	Jerry	2019-03-21

Amphenol LTW
安費諾亮泰企業股份有限公司