



电动美好生活

Motor Powers Life

PRODUCT SPECIFICATION

CUSTOMER : IVENT

MODEL : PU7625240-8101

DATE : Mar.13,2017



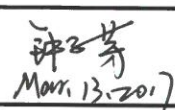
CODE NO. : P131127A7-4

Please return this file with your signature in order to make quick arrangement for production

CUSTOMER APPROVED

APPROVED	CHECKED	PREPARED

POWER APPROVED

APPROVED	CHECKED	PREPARED
		

SHENZHEN POWER MOTOR INDUSTRIAL CO., LIMITED

4th Fl., Tower B, Bldg., No.2, Shenzhen Bay, Ecological Park,
Gaoxin S 10th Ave. Nanshan District, Shenzhen, China

Web site: www.power-motor.com E-mail: power@power-motor.com

Tel: 86-755-36899898 FAX: 86-755-36882799

P.C: 518057

SHENZHEN POWER MOTOR INDUSTRIAL CO., LIMITED

4th Fl., Tower B, Bldg., No.2, Shenzhen Bay, Ecological Park,

Gaoxin S 10th Ave. Nanshan District, Shenzhen, China

TEL: 86-755-36899898 FAX: 86-755-36882799

WEB SITE: WWW.POWER-MOTOR.COM E-MAIL: POWER@POWER-MOTOR.COM

MOTOR OUTGOING SPECIFICATION

CODE NO.:P131127A7-4

MODEL NO.: PU7625240-8101

DATE: 2017/03/13

PAGE: 1/1

CONFIRMED & ACCEPTED
 BY CUSTOMER

NO	ITEM	SPECIFICATION
1	INPUT VOLTAGE	240V / 50Hz
2	STATOR THICKNESS	25.0±0.5mm
3	SHAFT EXTENSION	60.5±0.7mm
4	DIRECTION OF ROTATION (VIEW FROM SHAFT EXTENSION)	CCW
5	TEMP.PROTECTOR	17AM 033 A5 130°C
6	LEAD WIRE	AWG#18 0.75mm ² 105°C BLACK 2-250±10
7	HI-POT TEST	1500V 5mA 1Sec
8	NO LOAD	POWER : 62±15% W
		CURRENT: 0.265±15% A
		SPEED: 19300±15%RPM
	ON LOAD (CUSTOMER-SUPPLY)	INPUT POWER: 200±10%W
		INPUT CURRENT: 0.95±10%A
		SPEED: 7600±10%RPM
9	INSULATION CLASS	B

DESIGN: *许子芳*

Mar. 13. 2017

CHECK: *许子芳*

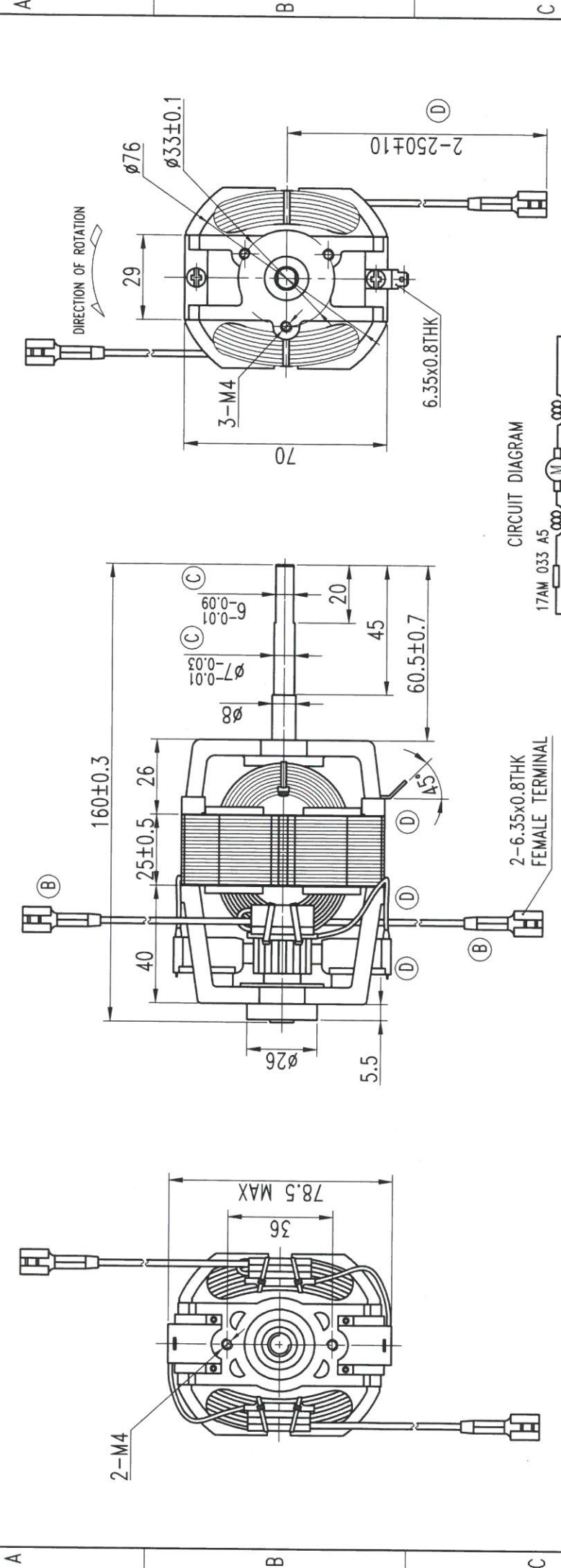
Mar. 13. 2017

APPROVE:



Binding Margin

1 2 3 4 5 6



NOTE:
 1. RATED VOLTAGE: 240V/50Hz;
 2. INSULATION CLASS: CLASS B;
 3. THE LEAD WIRE: 18AWG 1015 105°C.

DES'D:	F22号		DATE OF ISSUE:	2017-03-13
CHK:	Mar. 13, 2017		SCALE:	Do Not scale drawing
APP'D:	[Signature]		LANG.: EN	UNIT: mm
	Mar. 13, 2017		SIZE: A4	SHEET: 1/1
	Power 研发部			
	2017.3.13			
	易研才			
MODEL NO.:	PU7625240-8101			
NAME:	AC MOTOR			
Ref. For Unmarked Tolerance:	ISO 2768-cL			
Linear Dim.	0.5~3	±0.2	0.5~3	±0.4
Chamber Dim.	>3~6	±0.3	>3~6	±2
	>6~30	±0.5	Chamber Angle	±1.5°
	>30~120	±0.8	<10	±1.0°
	>120~400	±1.2	>10~400	±1.0°
CONFIRMED & ACCEPTED BY CUSTOMER:	www.power-motor.com			
	Power 动力			
	电动机 美好生活			
	Motor Powers Life			
	www.power-motor.com			
REV.	DESCRIPTION	DES'D	DATE	
D	250±10 WAS 230±10			
D	CHANGE THE CARBON BRUSH BOX			
D	CANCEL THE BOBBIN			
C	φ7.0 ^{+0.01} _{-0.03} WAS φ7.0 ^{-0.01} _{-0.02}			
C	6.0 ^{-0.01} _{-0.09} WAS 6.0 ^{-0.01} _{-0.03}			
B	ADD 2PCS 6.35x0.8THK FEMALE TERMINAL			

SHENZHEN POWER MOTOR INDUSTRIAL CO. , LTD

深圳力辉电机有限公司

电机测试报告

客户名称(Customer): IVENT

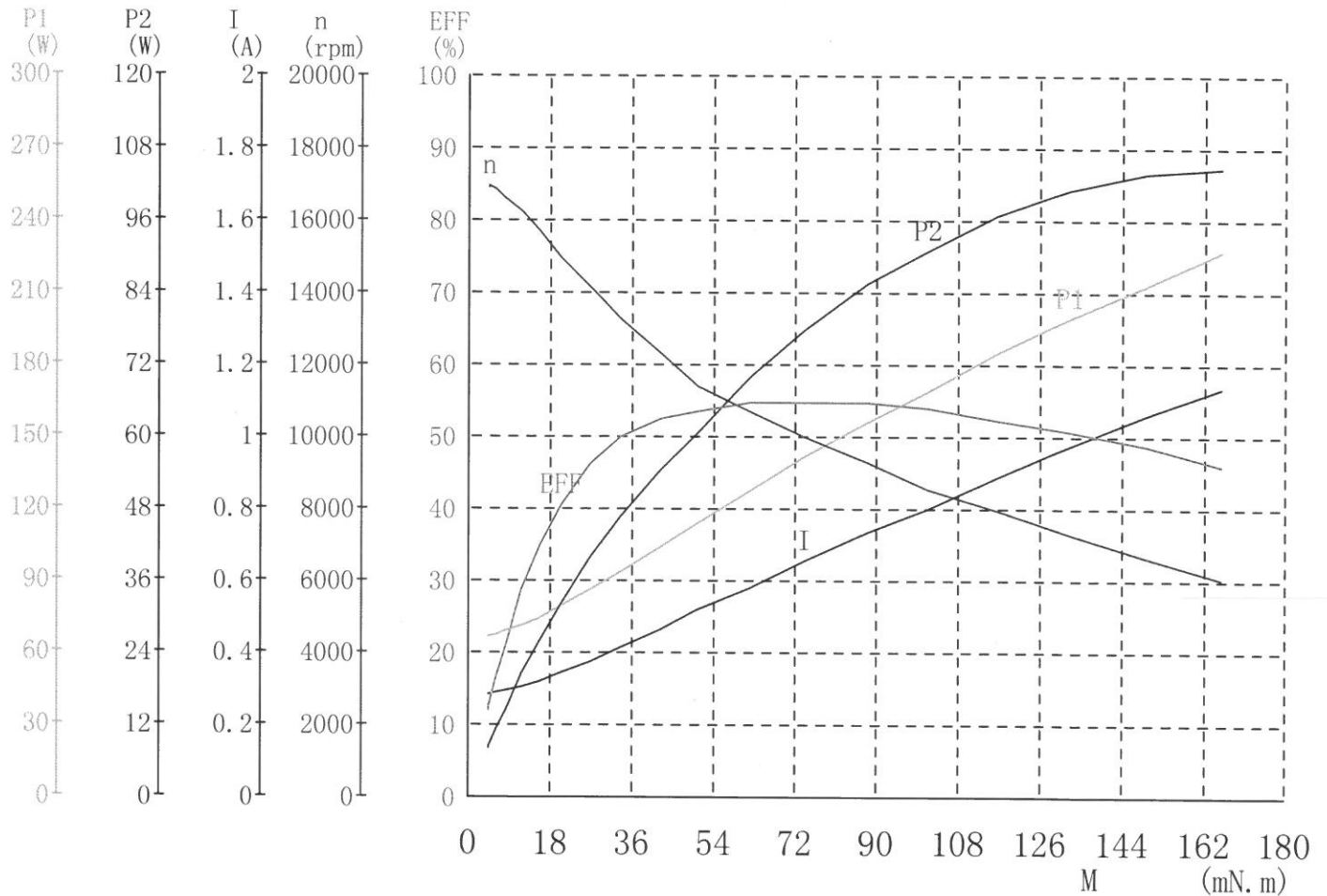
额定电压(Voltage): 240V/50Hz

电机型号(Type): PU7625240-8101

测试人员(Tester): NING

电机编号(Number): P131127A7-4

测试日期(Test Date): 2017.03.13



项目 (Description)	U	I	P1	M	n	P2	EFF	P. F	f
	(V)	(A)	(W)	(mN. m)	(rpm)	(W)	(%)		(Hz)
不加载点 (No_Load)	240.0	0.282	66.37	4.5	16860	7.94	11.9	0.977	50.01
最高效率点 (Max_Eff)	240.4	0.579	127.1	62.3	10675	69.65	54.7	0.913	50.01
最大输出功率点 (Max_Pout)	239.6	1.134	227.2	165.6	6035	104.6	46.0	0.835	50.01
最大转矩点 (Max_Torque)	239.6	1.134	227.2	165.6	6035	104.6	46.0	0.835	50.01
结束 (End)	239.6	1.134	227.2	165.6	6035	104.6	46.0	0.835	50.01

SHENZHEN POWER MOTOR INDUSTRIAL CO. , LTD

深圳力辉电机有限公司

电机测试报告

客户名称(Customer): IVENT

额定电压(Voltage): 240V/50Hz

电机型号(Type): PU7625240-8101

测试人员(Tester): NING

电机编号(Number): P131127A7-4

测试日期(Test Date): 2017. 03. 13

NO:	U	I	P1	M	n	P2	EFF	P.F	f
	(V)	(A)	(W)	(mN.m)	(rpm)	(W)	(%)		
1	240.0	0.282	66.37	4.5	16860	7.94	11.9	0.977	50.01
2	240.0	0.281	66.30	4.7	16895	8.38	12.6	0.979	50.01
3	240.1	0.281	66.26	4.6	16925	8.29	12.5	0.976	50.01
4	240.7	0.286	67.14	6.2	16814	10.94	16.3	0.975	50.01
5	240.8	0.292	68.42	8.0	16592	14.00	20.4	0.971	50.01
6	240.8	0.303	70.77	11.9	16220	20.34	28.7	0.973	50.01
7	240.5	0.317	74.10	15.7	15651	25.75	34.7	0.970	50.01
8	240.4	0.341	79.22	20.4	14937	32.02	40.4	0.966	50.01
9	240.3	0.374	86.17	26.8	14126	39.75	46.1	0.959	50.01
10	240.3	0.415	93.47	33.8	13207	46.79	50.0	0.949	50.01
11	240.2	0.461	103.7	42.4	12268	54.46	52.5	0.935	50.01
12	240.1	0.517	113.4	50.7	11400	60.58	53.4	0.927	50.01
13	240.4	0.579	127.1	62.3	10675	69.65	54.7	0.913	50.01
14	240.2	0.655	141.7	74.2	9966	77.44	54.6	0.899	50.01
15	240.0	0.732	156.0	88.0	9256	85.35	54.6	0.887	50.01
16	240.9	0.796	168.1	101.5	8538	90.78	53.9	0.880	50.01
17	240.2	0.889	185.1	116.8	7909	96.75	52.2	0.866	50.01
18	239.8	0.971	199.4	132.7	7265	100.9	50.6	0.858	50.01
19	239.7	1.056	212.8	149.4	6631	103.7	48.7	0.844	50.01
20	239.6	1.134	227.2	165.6	6035	104.6	46.0	0.835	50.01