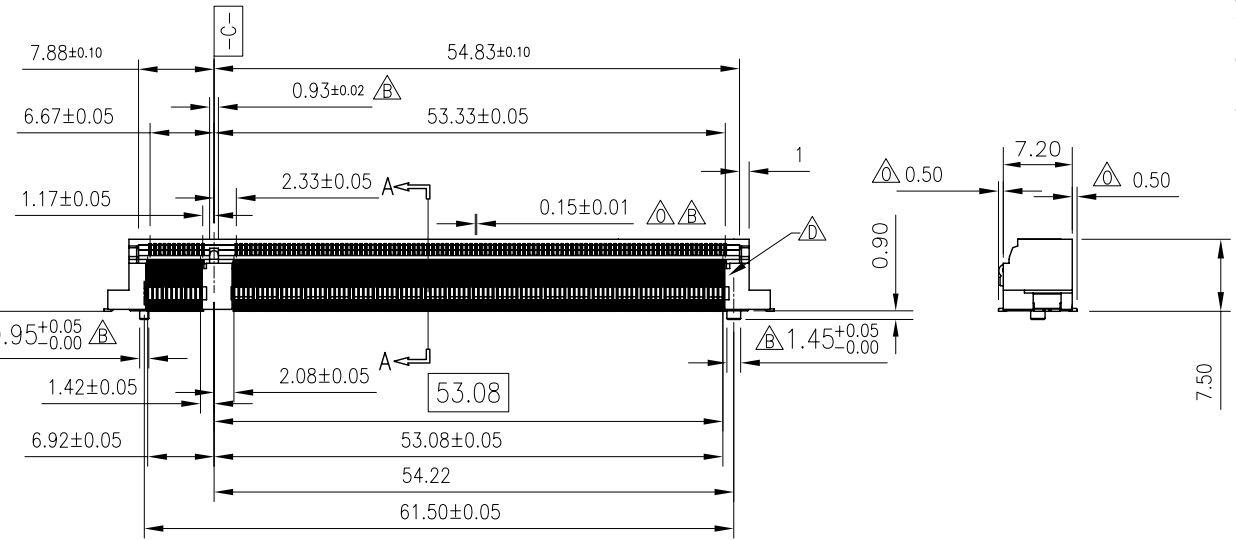
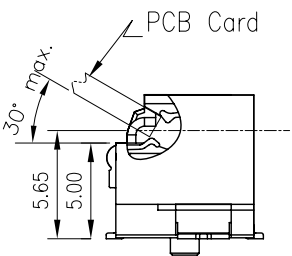


- NOTES:
- MATERIAL:
 - HOUSING: THERMOPLASTIC, HIGH TEMP., UL94V-0; COLOR:NATURAL.
 - CONTACT: COPPER ALLOY
 - FITTING NAIL:COPPER ALLOY
 - FINISH:
 - CONTACT:
 - UNDERPLATING: 50u" MIN. NICKEL OVERALL.
 - FINISH:GOLD FLASH OVER ALL
 - GOLD 3u" MIN. ON CONTACT
 - FITTING NAIL:
 - UNDERPLATING: 50u" MIN. NICKEL OVERALL.
 - FINISH:GOLD FLASH OVER ALL
 - REFLOW SOLDER CAPABLE TO 260°C PER ACES SPEC.
 - ROHS COMPLIANT PRODUCT.
 - SPEC. PLS. REFER TO PS-88881-xxxxx
 - DRAWING PACKAGING REFER TO 88882-xxxx
 - COPLANARITY 0.1 MM MAX. BASE ON DATUM A
 - TRUE POSITION 0.1 MM MAX. BAES ON DATUM B



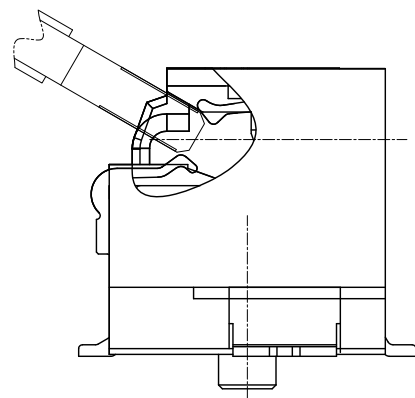
- PART NUMBER 88882-2D X X
 - NO OF CKT 230 CKTS
 - PACKING 0:Tape & Reel 2:Tray
 - PLATING 8: G/F OVER ALL(LEAD FREE) GOLD 3u" MIN. ON CONTACT M:3u" GOLD ON CONTACT AND SOLDER FOR SELECRIEENESS PLATING



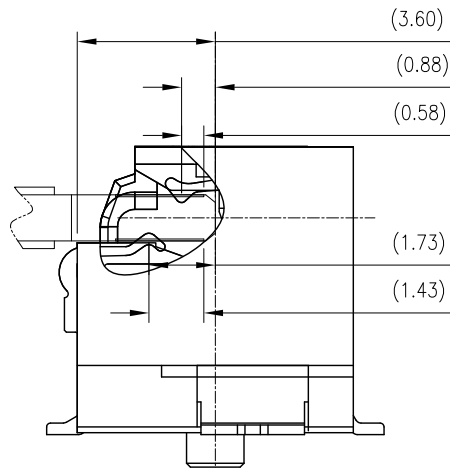
Section A-A Scale 2:1

REV	DESCRIPTION	DATE	APPROVED
E	修改DATE CODE編碼-ECN-0810008	08'/11/08	Bernie
D	塑膠增加補強PIN,更新前視圖 (ECN-0803048)	08'/03/03	Bernie
C	B1版結案 (ECN-0802099)	08'/02/25	鄧錫飛
B	共模調整畫面修改/建議LAYOUT修改(ECN-0704072)	07'/07/16	Bernie
A	產品註解修正,ECN-'0607069	06'/08/03	Bernie

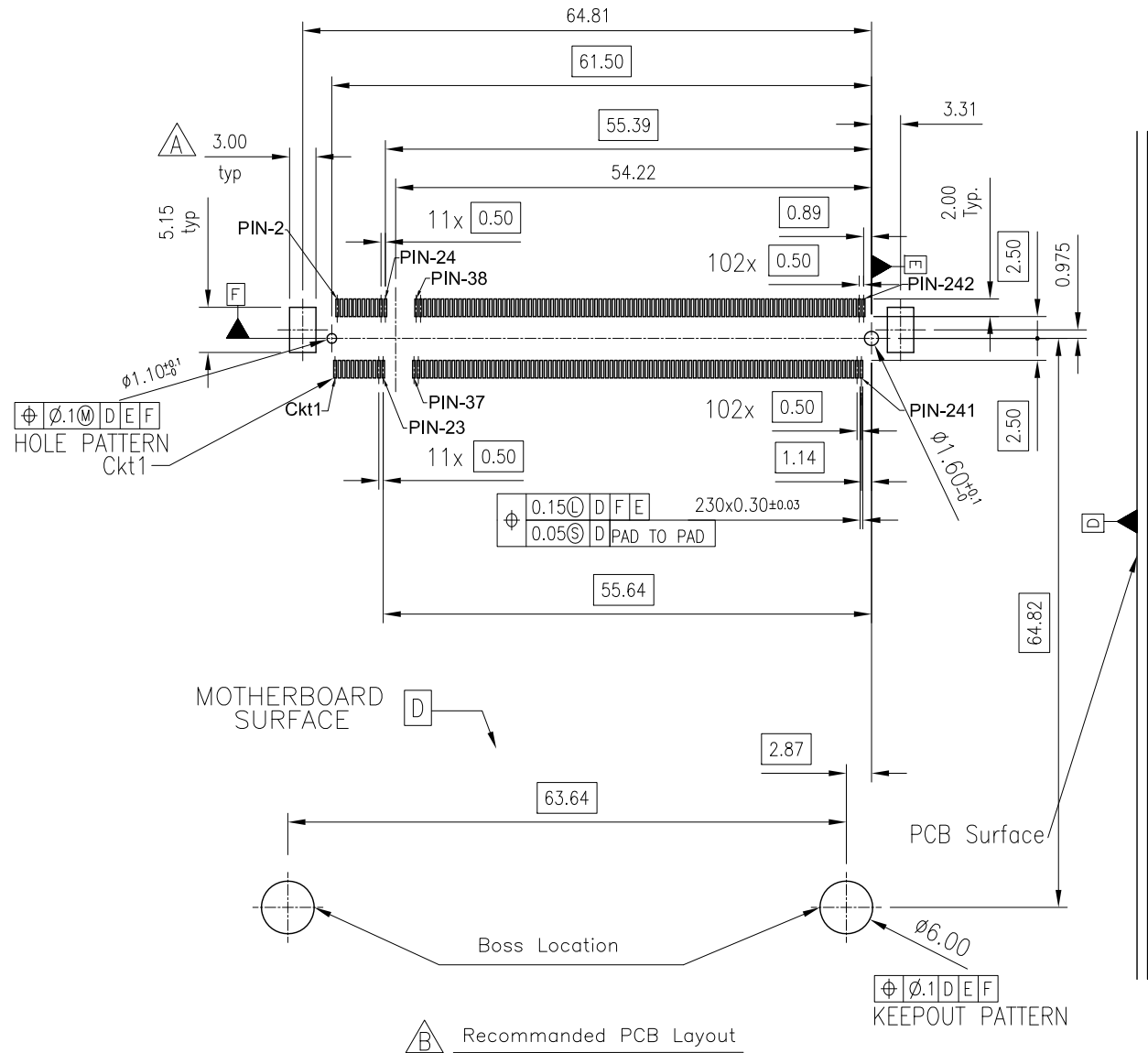
一般公差 TOLERANCES X ±0.5 XX ±0.15 X ±0.25 .XXX ±0.1 ANGLES ±2°		宏致電子股份有限公司 Aces Electronic Co.,Ltd.	
檢驗尺寸標示 SYMBOLS ⊕ ⊗ INDICATE CLASSIFICATION DIMENSION ⊕ MARK IS CRITICAL DIM. ⊗ MARK IS MAJOR DIM.		品名 (TITLE) MXM 230 pins 0.5mm pitch Edge Card Conn. R/A D/R STD H=7.5mm (B/B H=5.0mm) 圖號 (DWG.NO) 88882-2DXX	
表面處理 (FINISH)		比例 (SCALE) 1.5:1	單位 (UNITS) mm
修訂 日期 申請人 SIGNATURE		張數 (SHEET) 1 OF 3	核准 (APPD) JASON 製圖 (DR) Bernie 審核 (CHKD) Warles
		尺寸 (SIZE) A4	版本 (REV) E



PCB 30° In conn. Scale 2:1



PCB on 90° Scale 2:1



—	See Sheet 1	—	Bernie
REV	DESCRIPTION	DATE	SIGNATURE

一般公差
TOLERANCES
X ±0.5 XX ±0.15
Y ±0.25 YYY ±0.1
ANGLES ±2°

宏致電子股份有限公司
Aces Electronic Co.,Ltd.

檢驗尺寸標示
SYMBOLS ⊕ ⊗ INDICATE CLASSIFICATION DIMENSION
⊕ MARK IS CRITICAL DIM.
⊗ MARK IS MAJOR DIM.

品名 (TITLE)
MXM 230 pins 0.5mm pitch Edge Card Conn.
R/A D/R STD H=7.5mm (B/B H=5.0mm)
圖號 (DWG.NO)
88882-2DXX

製圖 (DR) Bernie
06/01/13
審核 (CHKD) Warles
核准 (APPD) JASON

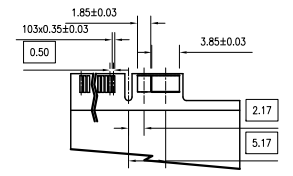
表面處理 (FINISH)

比例 (SCALE) 1.5:1
單位 (UNITS) mm

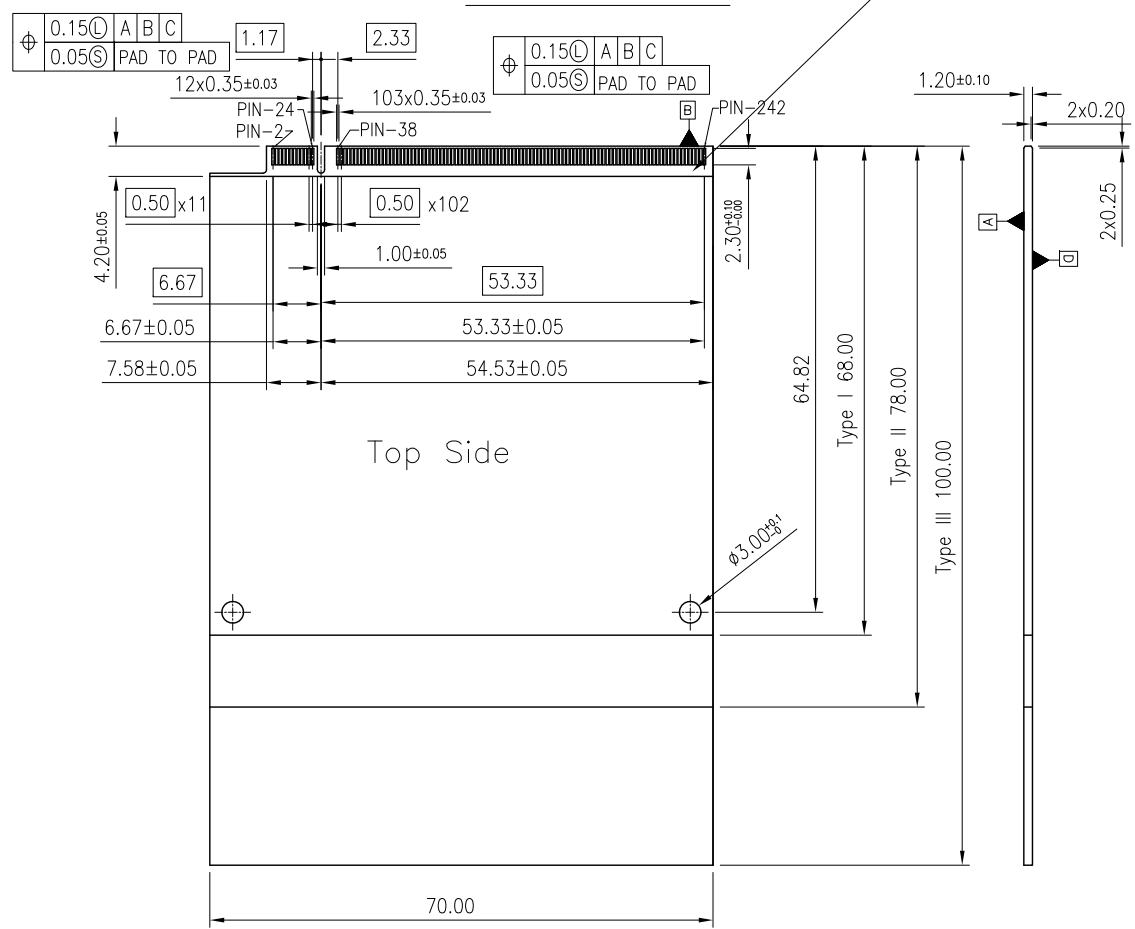
張數 (SHEET) 2 OF 3
SIZE A4
REV E



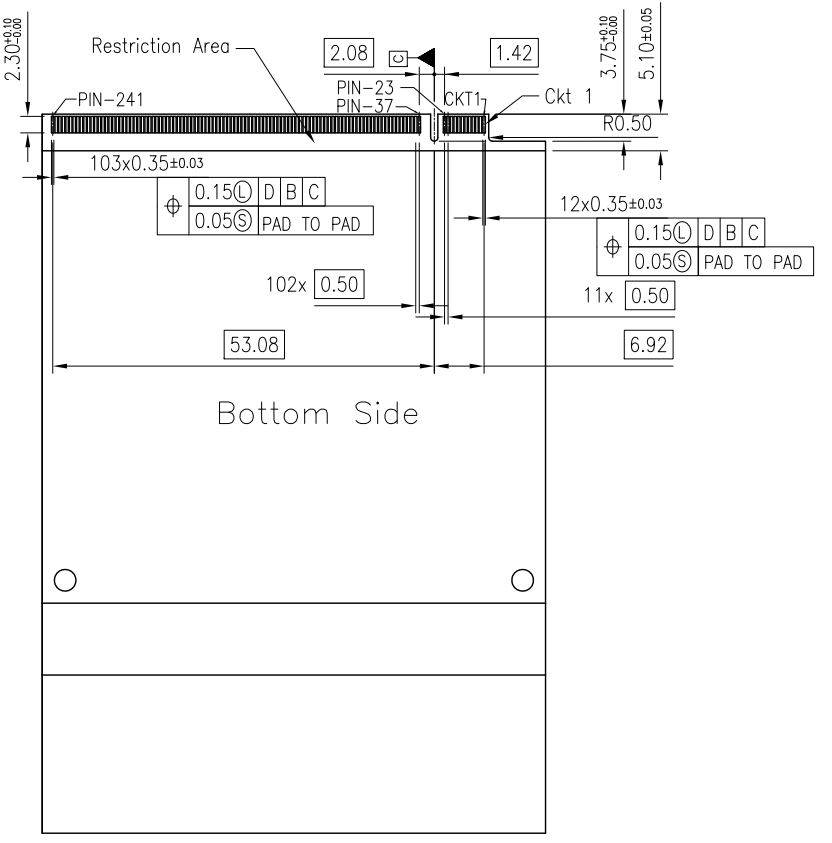
Top Side Option one Pad



Bottom Side Option one Pad



Top Side



Bottom Side

A Type A Application Card PCB Layout

一般公差 TOLERANCES X ±0.5 XX ±0.15 Y ±0.25 YYY ±0.1 ANGLES ±2°		宏致電子股份有限公司 Aces Electronic Co.,Ltd.	
檢驗尺寸標示 SYMBOLS (DIA) (DIA) INDICATE CLASSIFICATION DIMENSION	品名 (TITLE) MXM 230 pins 0.5mm pitch Edge Card Conn. R/A D/R STD H=7.5mm (B/B H=5.0mm)	製圖 (DR) 06/01/13 Bernie	
(DIA) MARK IS CRITICAL DIM. (DIA) MARK IS MAJOR DIM.	圖號 (DWG.NO) 88882-2DXX	審核 (CHKD) Warles	
表面處理 (FINISH)	比例 (SCALE) 單位 (UNITS) 1:1 mm	核准 (APPD) JASON	
修訂 (REV) - See Sheet 1	日期 (DATE)	申請人 (SIGNATURE) Bernie	張數 (SHEET) SIZE REV 3 OF 3 A4 E