

MI2012 SERIES ~ Multilayer Chip Suppressions /

High Current Chip Beads

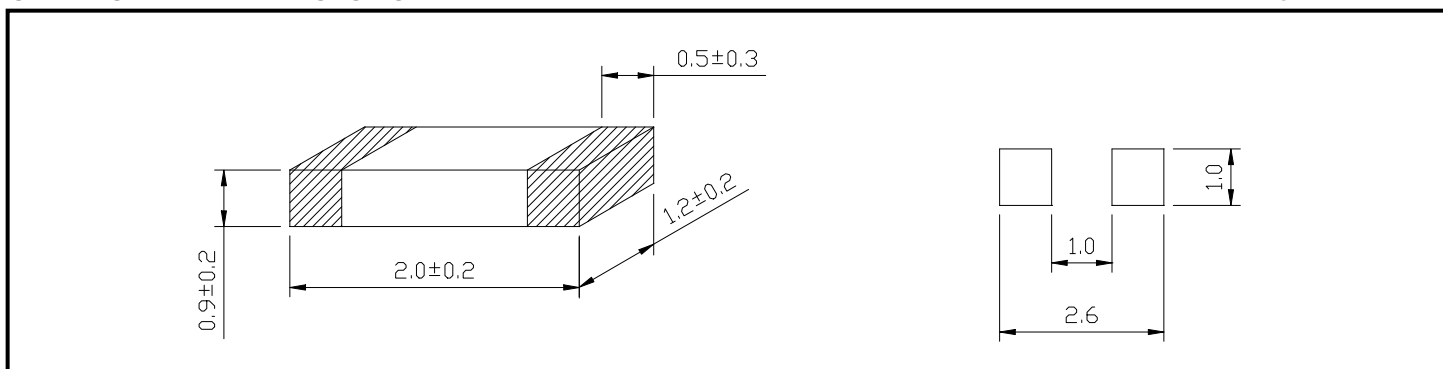


PART NUMBERING SYSTEM

<u>MI</u>	<u>2012</u>	-	<u>102</u>	-	<u>1A</u>	-	<u>LF</u>
TYPE	DIMENSIONS		IMPEDANCE		DC CURRENT		LEAD FREE

SHAPES AND DIMENSIONS

UNIT : mm



SPECIFICATION TABLE

PART NUMBER	IMPEDANCE (Ω) at 100MHz	DCR (Ω) (Max.)	IDC (A) (Max.)
MI2012-070-6A-LF	7 \pm 25%	0.008	6.0
MI2012-110-3A-LF	11 \pm 25%	0.030	3.0
MI2012-110-6A-LF	11 \pm 25%	0.008	6.0
MI2012-170-3A-LF	17 \pm 25%	0.030	3.0
MI2012-170-6A-LF	17 \pm 25%	0.008	6.0
MI2012-200-6A-LF	20 \pm 25%	0.010	6.0
MI2012-300-6A-LF	30 \pm 25%	0.008	6.0
MI2012-310-6A-LF	31 \pm 25%	0.030	3.0
MI2012-390-6A-LF	39 \pm 25%	0.008	6.0
MI2012-470-3A-LF	47 \pm 25%	0.030	3.0
MI2012-520-6A-LF	52 \pm 25%	0.030	3.0
MI2012-600-3A-LF	60 \pm 25%	0.040	3.0



MI2012 SERIES ~ Multilayer Chip Suppressions /

High Current Chip Beads



SPECIFICATION TABLE

PART NUMBER	IMPEDANCE (Ω) at 100MHz	DCR (Ω) (Max.)	IDC (A) (Max.)
MI2012-390-6A-LF	39 \pm 25%	0.008	6.0
MI2012-470-3A-LF	47 \pm 25%	0.030	3.0
MI2012-520-6A-LF	52 \pm 25%	0.030	3.0
MI2012-600-3A-LF	60 \pm 25%	0.040	3.0
MI2012-600-6A-LF	60 \pm 25%	0.020	6.0
MI2012-800-3A-LF	80 \pm 25%	0.040	3.0
MI2012-800-5A-LF	80 \pm 25%	0.010	5.0
MI2012-800-6A-LF	80 \pm 25%	0.020	6.0
MI2012-121-3A-LF	120 \pm 25%	0.050	3.0
MI2012-121-6A-LF	120 \pm 25%	0.025	6.0
MI2012-151-3A-LF	150 \pm 25%	0.040	3.0
MI2012-221-3A-LF	220 \pm 25%	0.050	3.0
MI2012-301-2A-LF	300 \pm 25%	0.050	3.0
MI2012-471-2A-LF	470 \pm 25%	0.100	2.0
MI2012-601-2A-LF	600 \pm 25%	0.100	2.0
MI2012-102-1A-LF	1000 \pm 25%	0.300	1.0
MI2012-152-1A-LF	1500 \pm 25%	0.400	1.0

- Test equipment : Agilent/HP-4291A impedance analyzer or equipment .
- Operating temperature range -55 $^{\circ}$ C to +125 $^{\circ}$ C , Electrical specifications at 25 $^{\circ}$ C .

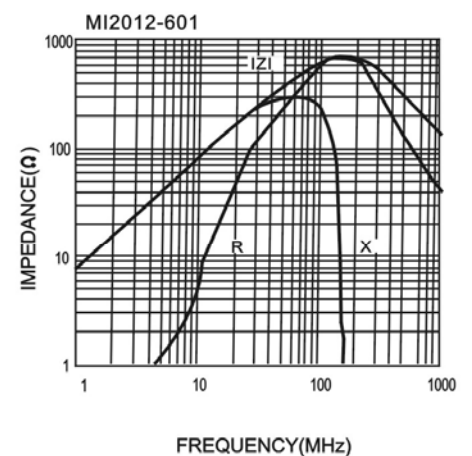
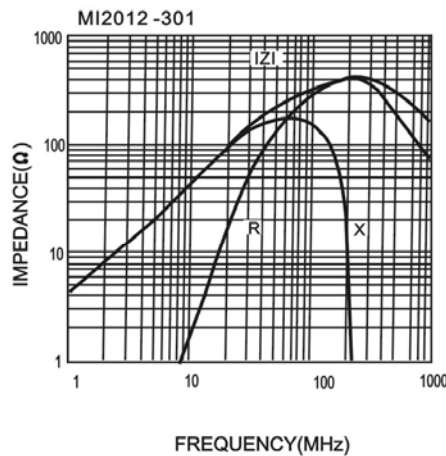
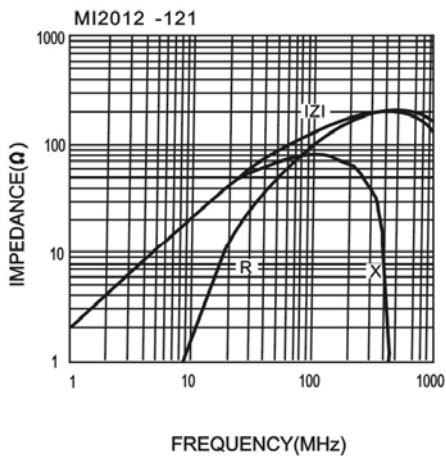
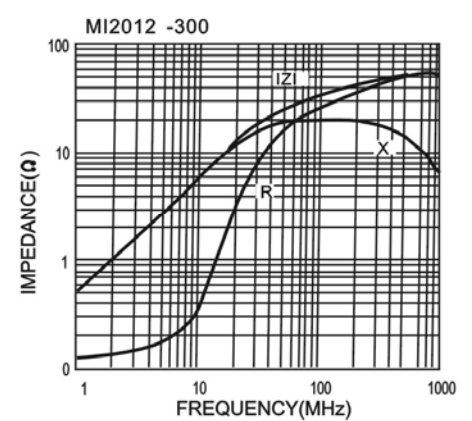
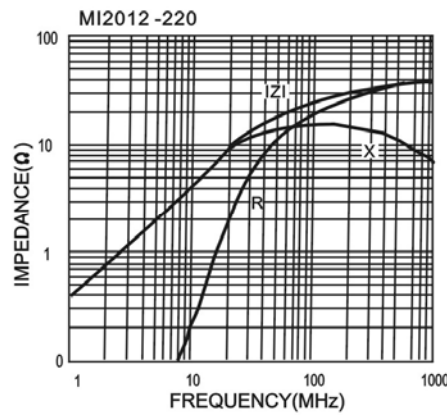
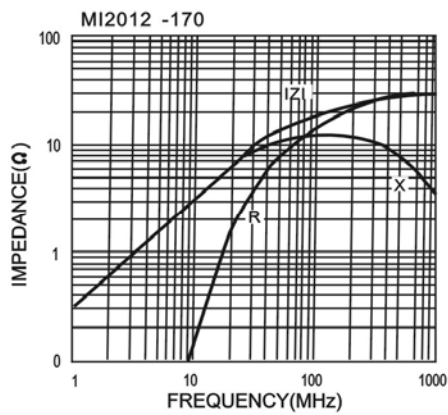


MI2012 SERIES ~ Multilayer Chip Suppressions /

High Current Chip Beads



Impedance vs Frequency Curve



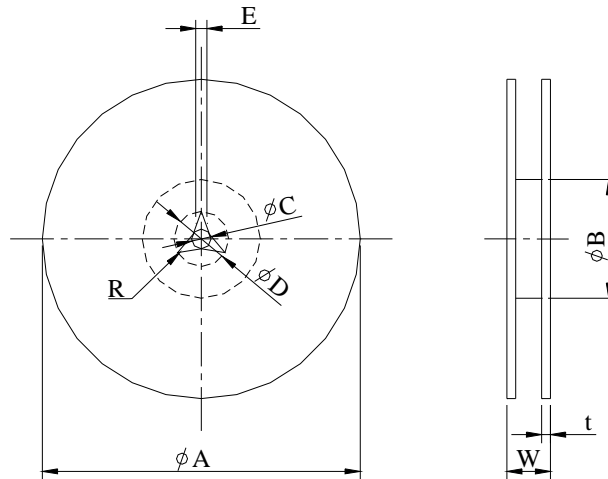


MI2012 SERIES ~ Multilayer Chip Suppressions /

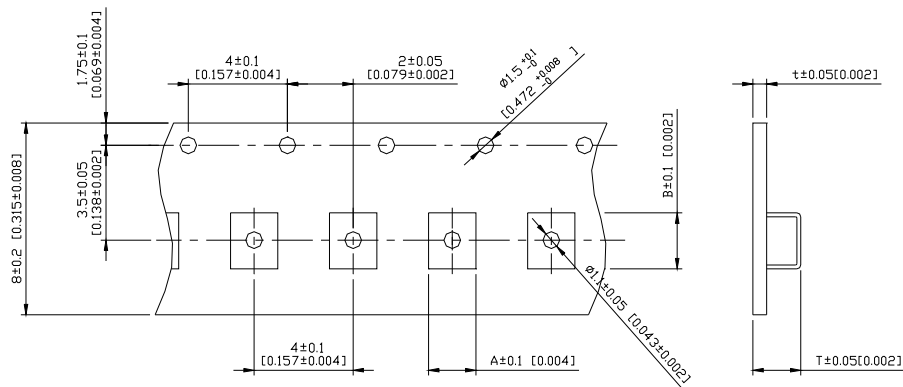
High Current Chip Beads



PACKAGING SPECIFICATION



	A	B	C	D	E	W8	W12	t	R
T($\psi 178\text{mm}$) Reel	$\psi 178 \pm 2$	$\psi 60 \pm 1$	$\psi 13 \pm 0.8$	$\psi 21 \pm 0.8$	2	10 ± 1.5	14.5 ± 1.5	1.27 ± 0.2	1



TYPE	A	B	T	t	T($\phi 178\text{mm}$)	T($\phi 330\text{mm}$)
2012	1.55	2.30	1.20	0.2	4000 pcs/reel	10000 pcs/reel