

2.54mm(.100") I. D. C. SOCKET

MATERIAL

Insulator: PBT+GF UL 94V-0
 Color: Black or grey
 Contact: Phosphor bronze or Brass
 Plating: Gold flash plated

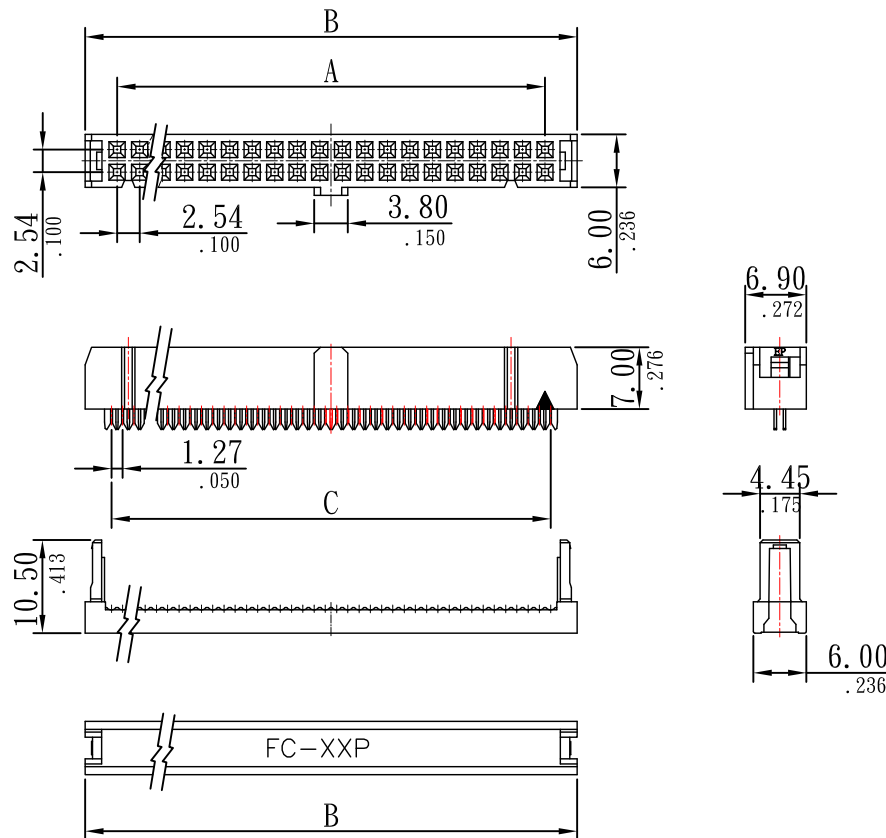
SPECIFICATIONS

Temperature range: -40°C ~ +105°C
 Current rating: 1A
 Dielectric withstand voltage: 500V AC
 Insulation resistance: 1000 MΩ Min.
 Contact resistance: 0.03Ω Max.

Order Information

R 3130-xxP-x
 1 2 3 4

1. RoHS
2. Series
3. Pin No.
4. Color: "blank" = Black, I = Grey



Dimensional Information

Circuits	Dim. A	Dim. B	Dim. C	Circuits	Dim. A	Dim. B	Dim. C
6	5.08(0.200)	12.30(0.484)	6.35(0.250)	30	35.56(1.400)	42.78(1.684)	36.83(1.450)
8	7.62(0.300)	14.84(0.584)	6.89(0.271)	32	38.10(1.500)	45.32(1.784)	39.37(1.550)
10	10.16(0.400)	17.38(0.684)	11.43(0.450)	34	40.64(1.600)	47.86(1.884)	41.91(1.650)
12	12.70(0.500)	19.92(0.784)	13.97(0.550)	36	43.18(1.700)	50.40(1.984)	44.45(1.750)
14	15.24(0.600)	22.46(0.884)	16.51(0.650)	40	48.26(1.900)	55.48(2.184)	49.53(1.950)
16	17.78(0.700)	25.00(0.984)	19.05(0.750)	44	53.34(2.100)	60.56(2.384)	54.61(2.150)
18	20.32(0.800)	27.54(1.084)	21.59(0.850)	48	58.42(2.300)	65.64(2.584)	59.69(2.350)
20	22.86(0.900)	30.08(1.184)	24.13(0.950)	50	60.96(2.400)	68.18(2.684)	62.23(2.450)
24	27.94(1.100)	35.16(1.384)	29.21(1.150)	60	73.66(2.900)	80.88(3.184)	74.93(2.950)
26	30.48(1.200)	37.70(1.484)	31.75(1.250)	64	78.74(3.100)	85.96(3.384)	80.01(3.150)



Sunny Young Enterprise Co., Ltd.

S. Y. E. <http://www.sunnyyoung.com.tw>

13F., No. 116, Sec. 1, Xintai 5th Rd., Xizhi Dist., New Taipei City 221, Taiwan

Tel: +886 2 2696 1668(REP) Fax: +886 2 2696 2668

L117	NAME	DATE	SCALE: 2:3	REV NO	DATE	DESCRIPTION	BY	CHECKED	TOLERANCE UNLESS NOTED
DRAWN	SEAN	2013.01.31	UNIT: mm(in.)	A					LINEAR± .0 ±0.35(.014) .00 ±0.25(.009) .000±0.10(.004)
CHECKED	STEVEN	2013.01.31	CAD NO	B					
APPROVED	TINA	2013.01.31	R3130-xxP-x	C					PROJECTION:

PART NO R3130-xxP-x