



MI1608 SERIES ~ Multilayer Chip Suppressions /

High Current Chip Bead

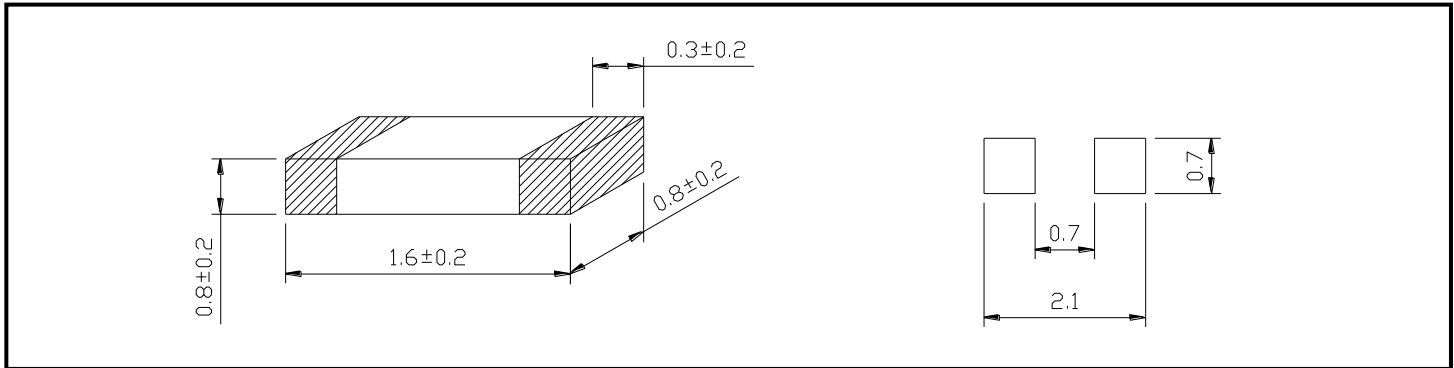


PART NUMBERING SYSTEM

MI	1608	-	601	-	1A	-	LF
TYPE	DIMENSIONS		IMPEDANCE		DC CURRENT		LEAD FREE

SHAPES AND DIMENSIONS

UNIT : mm



SPECIFICATION TABLE

PART NUMBER	IMPEDANCE (Ω) at 100MHz	DCR (Ω) (Max.)	IDC (A) (Max.)
MI1608-100-5A-LF	10±25%	0.010	5.0
MI1608-300-3A-LF	30±25%	0.040	3.0
MI1608-600-3A-LF	60±25%	0.040	3.0
MI1608-101-2A-LF	100±25%	0.050	2.0
MI1608-121-2A-LF	120±25%	0.050	2.0
MI1608-151-2A-LF	150±25%	0.080	2.0
MI1608-221-2A-LF	220±25%	0.080	2.0
MI1608-301-2A-LF	300±25%	0.100	2.0
MI1608-451-1.5A-LF	450±25%	0.150	1.5
MI1608-471-1.5A-LF	470±25%	0.150	1.5
MI1608-601-1A-LF	600±25%	0.300	1.0

- Test equipment : Agilent/HP-4291A impedance analyzer or equipment .
- Operating temperature range -55°C to +125°C , Electrical specifications at 25°C .

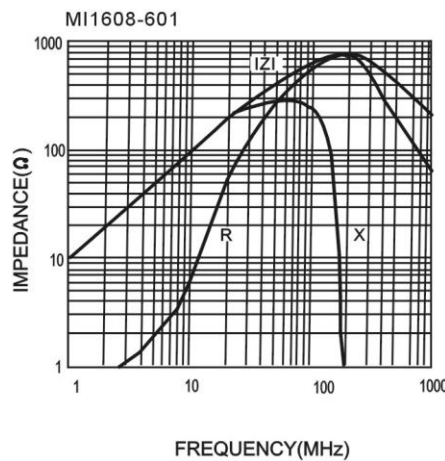
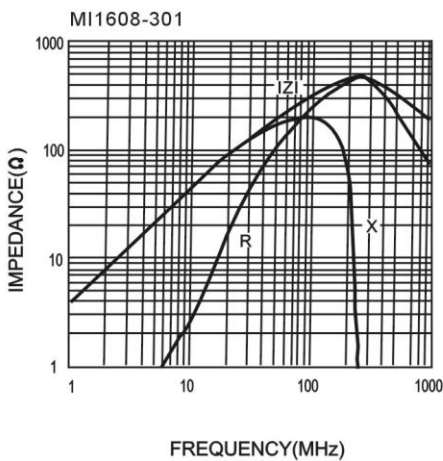
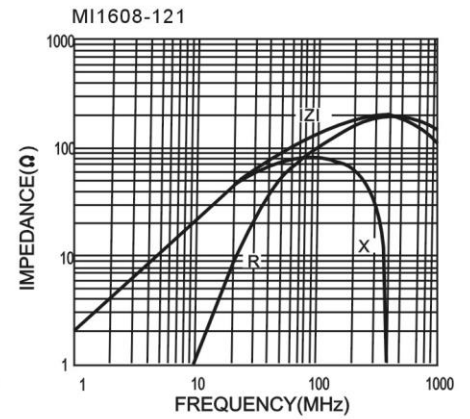
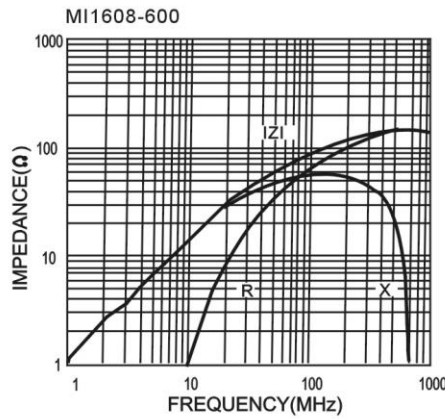
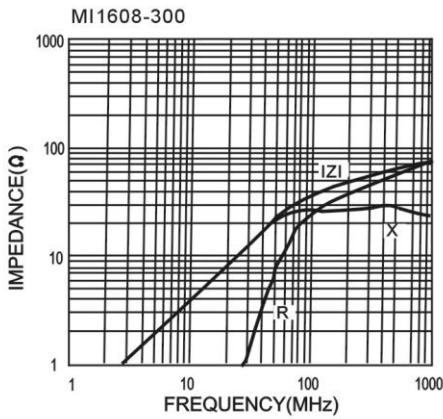


MI1608 SERIES ~ Multilayer Chip Suppressions /

High Current Chip Bead



Impedance vs Frequency Curve



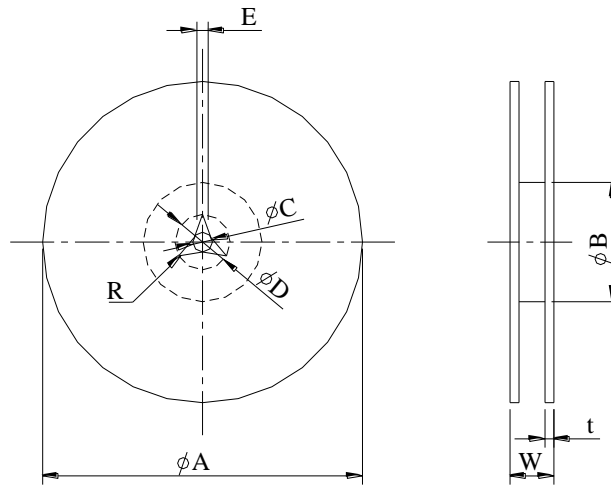


MI1608 SERIES ~ Multilayer Chip Suppressions /

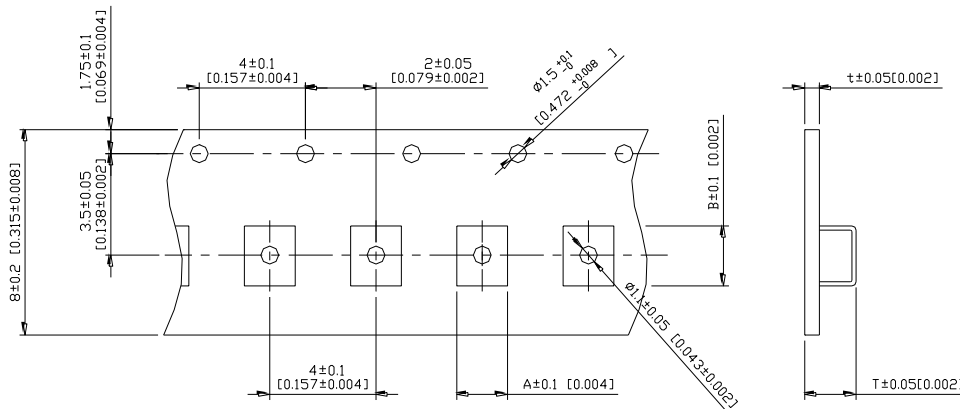
High Current Chip Bead



Package



	A	B	C	D	E	W8	W12	t	R
T($\psi 178\text{mm}$) Reel	$\psi 178 \pm 2$	$\psi 60 \pm 1$	$\psi 13 \pm 0.8$	$\psi 21 \pm 0.8$	2	10 ± 1.5	14.5 ± 1.5	1.27 ± 0.2	1



TYPE	A	B	T	t	T($\phi 178\text{mm}$)	T($\phi 330\text{mm}$)
MI 1608	1.10	1.90	1.10	0.2	4000 pcs/reel	-