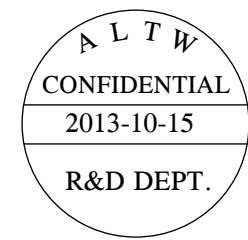
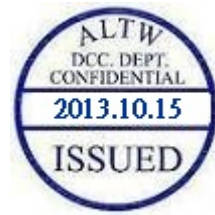
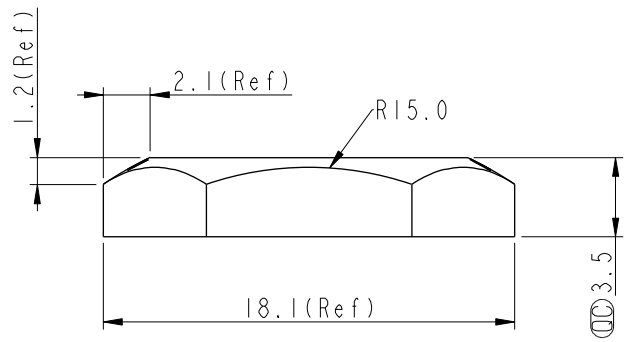
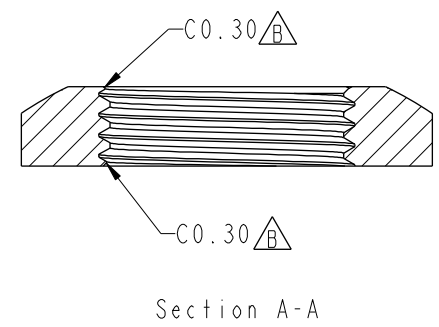
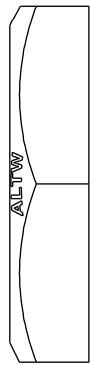
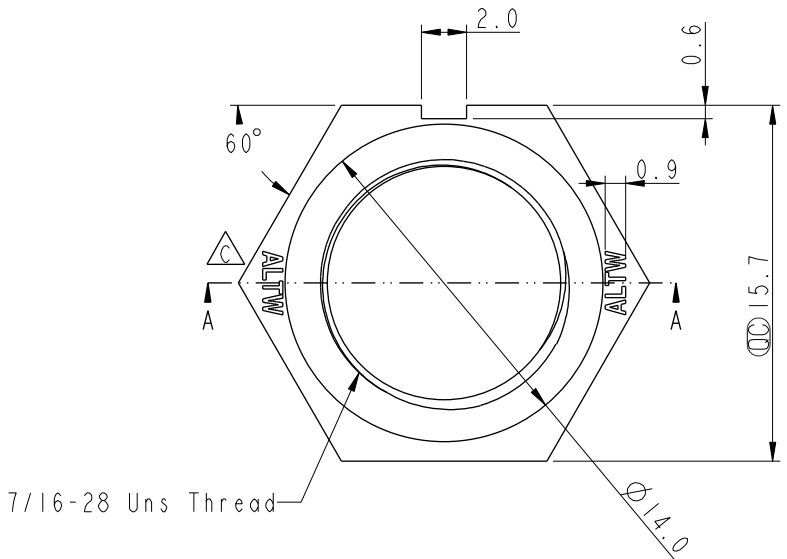


REV.	ECN NO.	DATE	SIGN	DESCRIPTION
B	LEN-980014	2009/07/30	Vicky	Add Chamfer.
C	LEN13A0031	2013-09-27	Ruru	Update Logo LTW TO ALTW



Note:

- * CC Important Dimension.
- * Material: Nylon+25%GF, Dupont FR50 BK505, UL94V-0
- * Color: Black
- * Mold No.: LTW-TM115

UNIT: mm		
TOLERANCE		
.X	±0.25	
.XX	±0.1	
.XXX	±0.05	
ANGLES	±1°	

TITLE Nut Panel For 2-3Pin Connector			
SCALE 3:1	SIZE A4	SHEET 1 OF 1	
REV. C	WC-REV. A.1	CC : Inspection item	

Amphenol LTW
安費諾亮泰企業股份有限公司

ITEM NO. ANA115XXX01 B	DRAWN BY Ruru	DATE 2013-10-15
DWG NO. ANA115XXX01 B	CHECKED BY Tony	DATE 2013-10-15
CUSTOMER ALTW	APPROVED BY Victor	DATE 2013-10-15

THIS DOCUMENT IS SUBJECT TO CHANGE WITHOUT NOTICE. IT IS CONFIDENTIAL AND A PROPERTY OF Amphenol LTW. DISCLOSURE TO THIRD PARTY HAS TO BE AUTHORIZED BY Amphenol LTW.