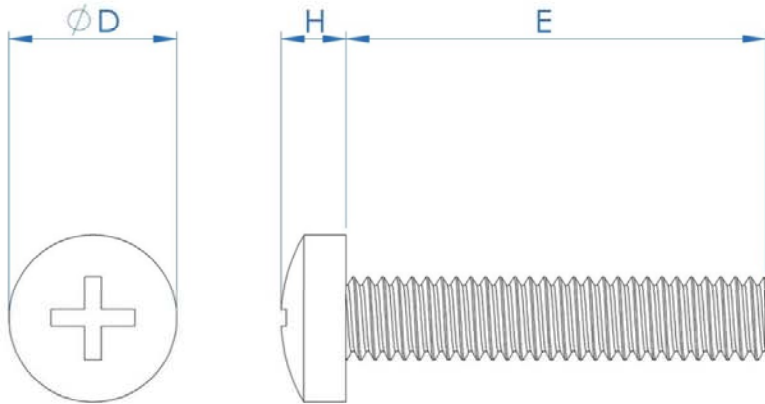


6-32 UNC X 5/8 Inch Phillips Pan Head Screws (ANSI B18.6.3) - A4 Stainless Steel Technical Specification



Drive Size	#2
Finish	Self Colour
General Tolerance	+/- 0.13mm
Head Diameter (D) [Max]	0.27 inch
Head Length (H)	0.097 inch
Manufacturing Standard	ANSI B18.6.3
Material	A4 Stainless Steel
Material Specification	A4-70 Stainless Steel
Metric or Imperial?	Imperial
Pitch	32 TPI
Thread Length (E)	5/8 inch
Thread Size (T)	6-32