

Part Number	Length (IN)	Length (MM)
KM-021060-002	2±0.15	50.8±4
KM-021060-0100	3.936±0.15	100±4
KM-021060-006	6±3%	152.4±3%
KM-021060-0200	7.873±3%	200±3%
KM-021060-010	10±3%	254±3%

* Orient MMCX plug interface with respect to SMA interface as shown within $\pm 10^\circ$, orientation for cable length less than 150mm only.
 * Additional lengths can be provided by changing XXXX to desired length in MM, or XXX to desired length in INCH.
 * Any queries feel free to consult our sales team at sales@dgkemy.com

4	Adhesive Shrink Tube	2	Black
3	MMCX (M) R/A Plug	1	KM-011048-316
2	SMA (F) R/A Jack, Front Mount, Waterproof, SS316	1	KM-010159-316
1	Coaxial Cable	1	RG316
No.	Specification	QTY	Description

RoHS Compliant

THIRD ANGLE PROJECTION

SCALE 1:1 UNIT MM

* MAJOR DIMENSION UNLESS OTHERWISE NOTED TOLERANCES

APPROVED **JOHN**

CHECKED **TERRY**

DRAWN **KEVIN**

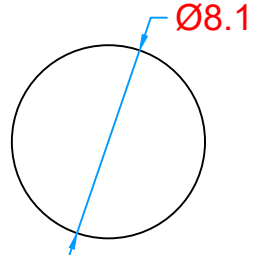
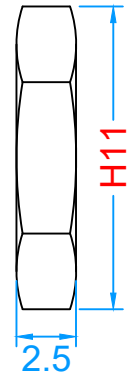
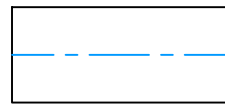
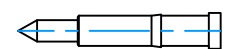
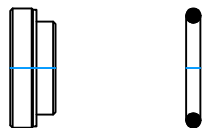
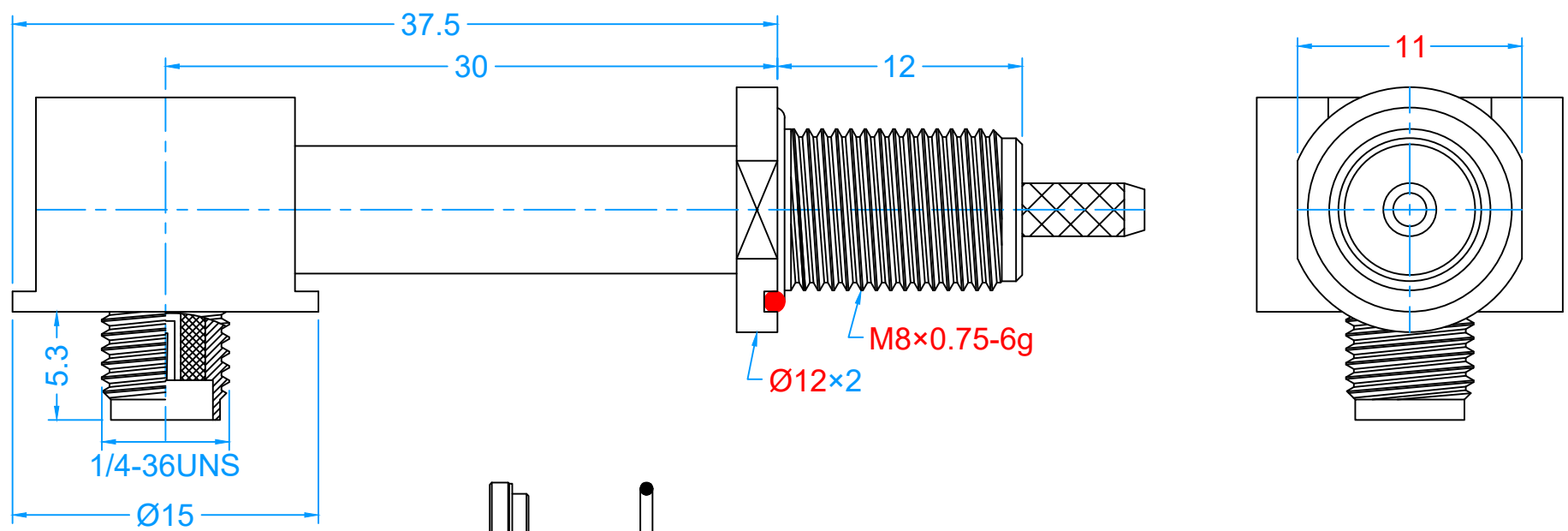
DRAWN DATE May 06, 2019

KM KeMy Electronic Technology Inc.

TITLE SMA (F) R/A Jack, Front Mount, Waterproof - RG316 - MMCX (M) R/A Plug, Length XXXX mm

DRAWING NO. **KM-021060-XXXX**

REV A



10	Nut	1	Brass	Nickel
9	Washer	1	Brass	Nickel
8	Ferrule	1	Brass	Nickel
7	Pin	1	Brass	Gold
6	Gasket	1	Silicone	Natural
5	Cover	1	SS316 Stainless Steel	Passivation
4	Gasket	1	Silicone	Natural
3	Socket	1	Be. Copper	Gold
2	Insulator	1	PTFE	Natural
1	Body	1	SS316 Stainless Steel	Passivation

No.	Description	QTY	Material	Finish
-----	-------------	-----	----------	--------

RoHS Compliant

THIRD ANGLE PROJECTION

* MAJOR DIMENSION
UNLESS OTHERWISE NOTED TOLERANCES

SCALE 1:1 UNIT MM

APPROVED
JOHN

CHECKED
TERRY

DRAWN
Kevin

DRAWN DATE
May 28, 2019

KEM KeMy Electronic Technology Inc.

TITLE
SMA (F) R/A Jack, Front Mount, Waterproof, for RG316

DRAWING NO. **KM-010159-316**

REV 0