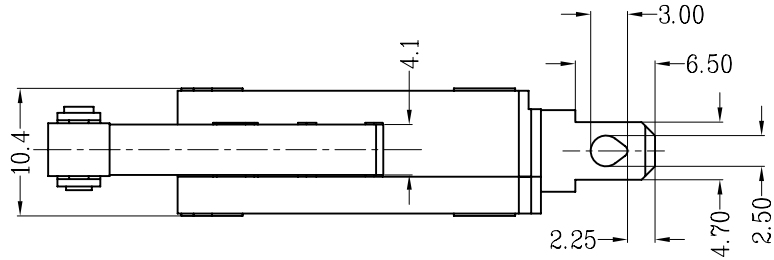


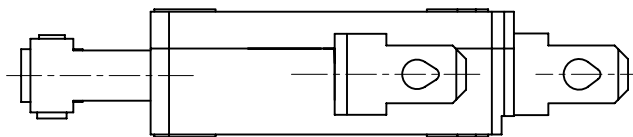
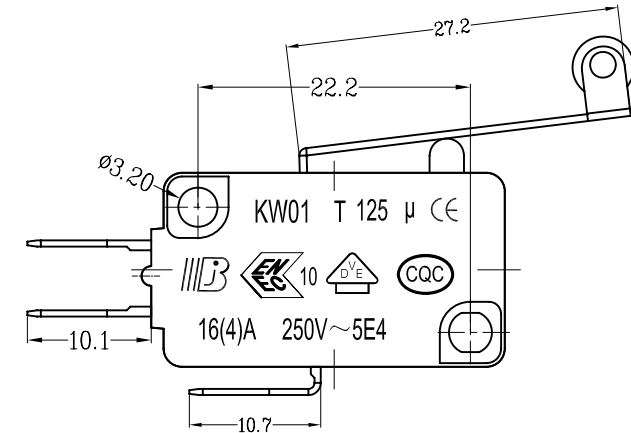
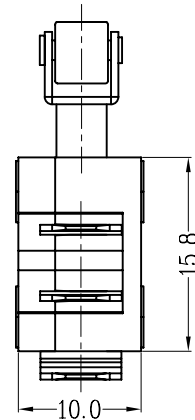
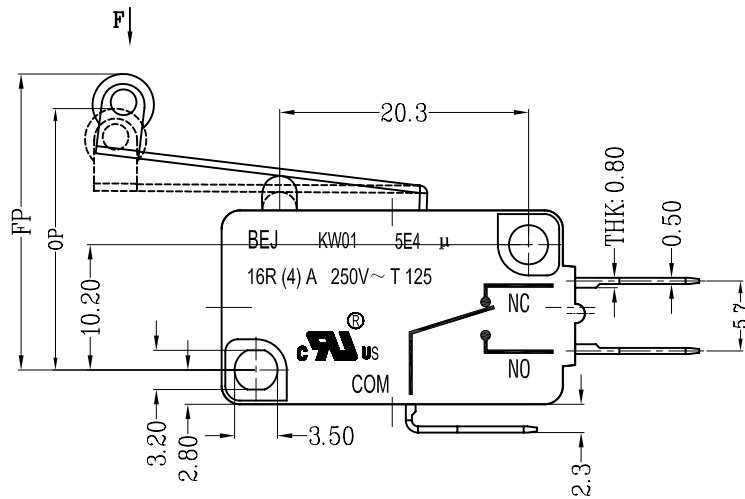
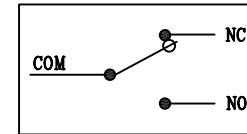
- 1、FUNCTION: ON-(ON)
- 2、RATING: UL/ENEC VDE/CQC: 16R(4)A 250V~ T125 5E4 μ
- 3、OPERATION FORCE: 250 \pm 50g.f
- 4、CONTACT RESISTANCE: \leq 50 m Ω
- 5、INSULATION RESISTANCE: \geq 100 M Ω
- 6、DIELECTRIC WITHSTAND: TERMINAL TO BUTTON 3000VAC/5mA/1MINTUE
TERMINAL TO TERMINAL 1500VAC/5mA/1MINTUE
- 7、CONTACT SPACING: < 3 mm



8、TRAVEL:

FREE POSITION	24.1 \pm 0.5mm
OPERATING POSITION	22.3 \pm 0.5mm
PRE TRAVEL	2.0 Max
OVER TRAVEL	1.0 Min

9、CIRCUIT DIAGRAM:



TOLERANCE UNLESS SPECIFIED					
.X: \pm 0.30 .XX: \pm 0.15 ANGULAR: \pm 3.0°					
PROJECTION:			V1.0		
	ISSUE	DATE	DESCRIPTIONS OF REVISION		APPD.
TITLE: MICRO SWITCH	UNIT: mm	SCALE: NOT SCALE	DRWG NO.: BEJ-FH-W0183		
MODEL: KW01H06AP4BBB3-173		FUNCTION: ON-(ON)	DWN.	吴为萍	2014-09-30
贝尔佳电子有限公司 BEI ER JIA ELECTRONICS CO.,LTD			CHK'D.	冯辉	2014-09-30
			APPD.	谭云锋	2014-09-30