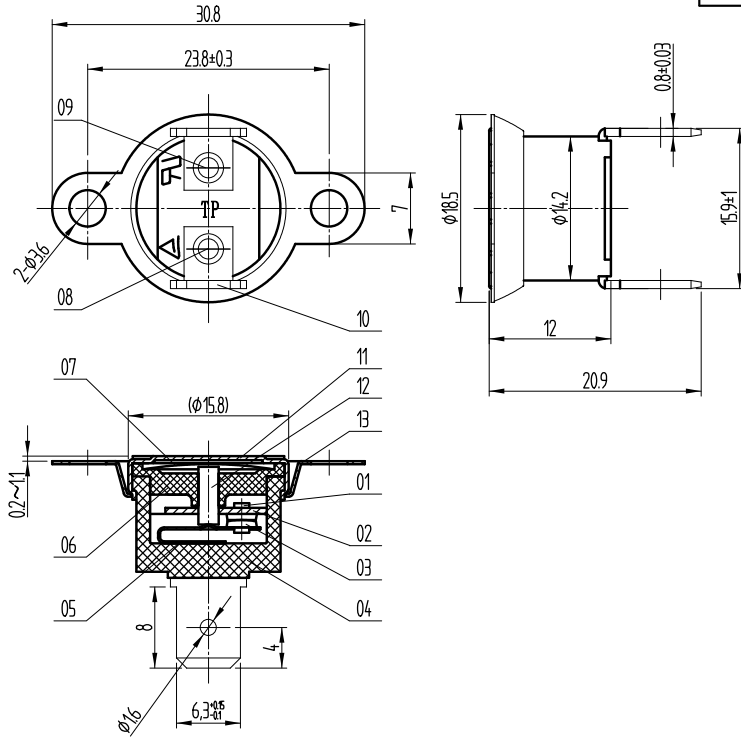


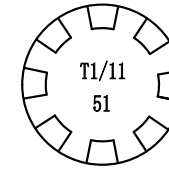


Customer: IVENT

Type	OFF Temp. (°C)	ON Temp. (°C)	Electrical Rating	Endurance (Resistive load)
T1/11-51/41/A111B14H221	51±2	41±3	TUV 250V~10A (R50091097)	Min. 100,000 cycles



Marking:



Specification

- Switch type: single pole and single throw (S.P.S.T); Normal close (N.C);
- Max ambient temperature: T170;
- Resistance between terminals: Max. 50mΩ at DC5V/0.25A;
- Insulation resistance: Min. 100MΩ with DC500V between terminals and cap;
- Dielectric strength: 1,500VAC @ 1 min. between terminals and cap without breakdown;
- Packing: 1 carton: 200 pcs/box × 10 boxes, carton size: 540×375×220mm.
- Standards According: GB14536.1-2008, GB14536.10-2008, GB/T 22687-2008, EN60730-1, EN60730-2-9;
- This product is conformity to the directives of 2011/65/EU RoHS and 1907/2006/EC REACH.

12	Actuator Pin	1	Ceramic	
11	Cap	1	Aluminium	
10	Terminal	2	Brass	Nickel plated
09	Long Rivet	1	Copper	
08	Short Rivet	1	Copper	
07	Bimetal Disc	1	Bimetal	
06	Top Cover	1	PF	
05	Movable arm	1	Alloy copper	
04	Case	1	PF	
03	Movable Contact	1	AgNi/Cu(T2)	
02	Stationary arm	1	Brass	
01	Stationary Contact	1	AgNi/Cu(T2)	
No.	Parts Name	Qty.	Material	Remark

Old No.

Base No.

Signature

Free tolerance table

Dim. range (mm)	0~9	9.1~16	16.1~30	>30
Tolerance	±0.2	±0.3	±0.4	±0.5

				Snap Action Thermostat		SN: 20200416-03	
Mark	Qty.	Content	Signature	Sample	Qty.	Weight	Proportion
Designed				Page 1 of 1 Page			
Reviewed				Foshan Tianpeng Thermostats Co., Ltd.			
Approved							