

ABS Series

Portable Solar Panel Mounts

Simple and beautiful

Trip Solar Patented Design in 2010

Easy installation

Industrial glue or screw installation

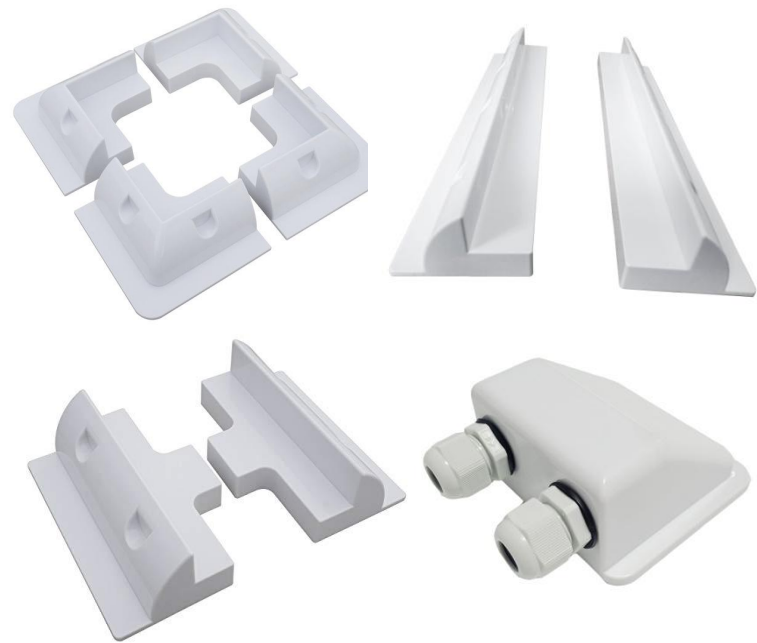
UV resistant

ABS material with UV resistant

Widely Used

Caravan, Bus, Boat, Flat roof, and so on

Established in 2010 and owns about 4400 square meters production line & warehouse, Tripsolar is Alibaba SGS assessed supplier. Located in Xiamen City, Fujian Province, China. Our products including solar carport system, solar ground system, solar roof system, solar pump, solar rv system, solar floating system, etc. We have roughly 32 workers in our own holding factory. 8 people for sales department, 3 for develop team, 2 for Quality team, and the rest ones for production team, material purchasing, and some internal work. After 2 years of development, we have a professional team.



Easy installation

Industrial glue or screw installation



Chose Solar Panel

Suitable for all framed solar panel.



Environment friendly

ABS(Acrylonitribile Butadiene Styrene)



Light Ageing Test-UV Exposure



PACKAGING CONFIGURATION

Description	1set (pcs)	QTY/Inner carton (set)	QTY/Carton (set)	Carton Dimension (cm)	Carton Weight (kg)	QTY/Pallet (set)
Corner mounts	4	1	15	55*55*36	15.5	240
Side Mounts 180mm	2	1	20	41*41*48	11.5	720
Cable Entry Gland	1	1	84	41*41*48	13.5	3024
ABS Mounts Whole Set	7	1	10	55*55*36	16.2	160
Side Mounts 550mm	2	1	10	38*59*40	14	240

WARRANTY

2 years Product Ageing of Plastic

Colour

White/Black or Customized

Model No.

Details as follow our quotation list



TP-ABS-001



TP-ABS-002



TP-ABS-007



TP-ABS-008



TP-ABS-005



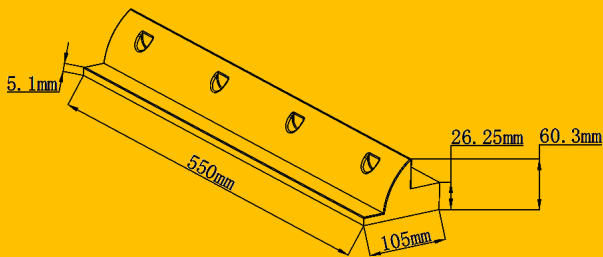
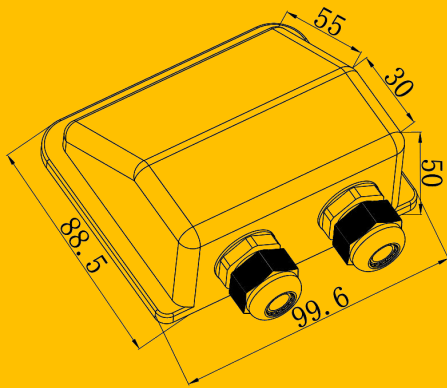
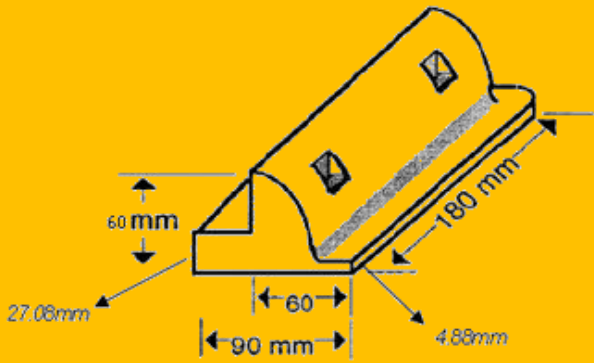
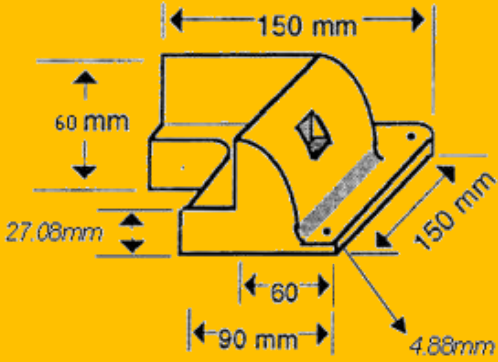
TP-ABS-006



TP-ABS-009



TP-ABS-010



error range : ± 3mm

CAUTION: READ SAFETY AND INSTALLATION INSTRUCTIONS BEFORE USING THE PRODUCT.
 © 2019 Trip Solar Limited. All rights reserved. Specifications included in this datasheet are subject to change without notice.
 Version number: ABS Series