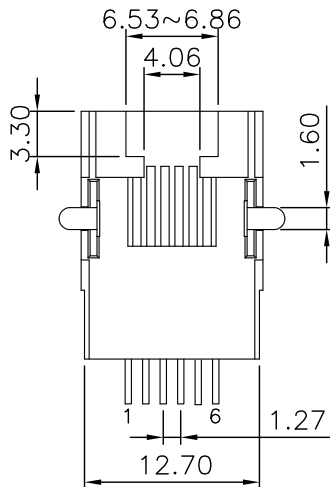
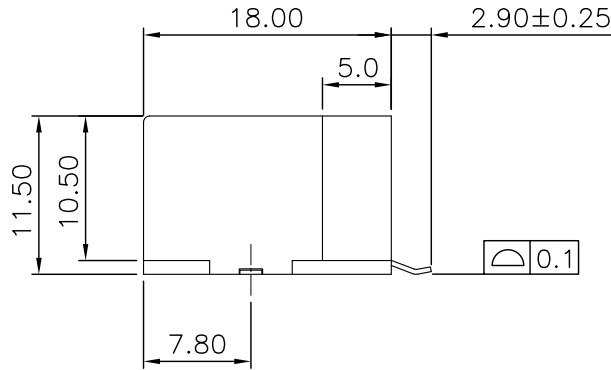
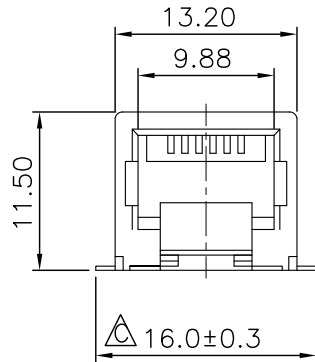


# RoHS Compliance

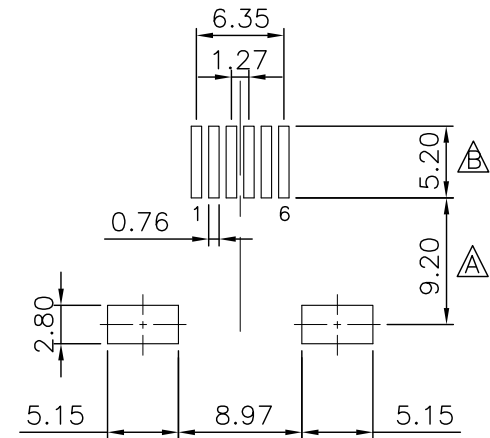


REVISIONS			
LTR	DESCRIPTION	DATE	APP
△	7.15	02/13/'08	CHANG
△	6.35	02/13/'08	CHANG
△	FAI 16.4±0.25	08/06/'13	CHANG

## MATERIAL:

- HOUSING-PA9T GN2330  
HEAT RESISTANT PLOYAMIDE RESIN  
BLACK COLOR, UL94V-0
- INSERT HOUSING-PA9T GN2330  
HEAT RESISTANT PLOYAMIDE RESIN  
BLACK COLOR, UL94V-0
- CONTACTS-0.35mm THICK PHOS-BRONZE  
PLATED WITH HARD GOLD AND  
GOLD FLASH IN SOLDER AREA.
- HOLD DOWN-0.30mm THICK COPPER ALLOY,  
PLATED WITH TIN.

CAVITY CONFIRMS TO FCC RULES AND REGULATIONS  
PART 68,SUBPART F.



## PCB LAYOUT

Ref.

DO NOT SCALE  
DRAWING

TOLERANCES UNLESS  
OTHERWISE NOTED

INCH

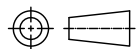
MM

DR.  
*M.L.HUANG*

DATE  
SEP-10 '14



**Sunny Young Enterprise Co., Ltd.**  
杉洋 <http://www.sunnyyoung.com.tw>



THIRD ANGLE PROJECTION

LINEAR  $\frac{\text{MM}}{\text{INCH}}$

00 ± .01  
000 ± .005  
0000 ± .002

0.0 ± 0.25  
0.00 ± 0.13  
0.000 ± 0.05

CK'D  
*M.CHANG*

SEP-10 '14

TITLE

RJ11, SMT TYPE  
SIDE ENTRY PCB JACK

MM  
INCH

ANGLE ± 0° 30'

RADII

+ 0.40  
- 0.15

APP'D  
*W.J.YANG*

SEP-11 '14

SCALE SIZE DWG.NO.  
977802

REV. SHEET  
12 1