

# SPECIFICATION

## FOR APPROVAL

Customer : \_\_\_\_\_

Description : Piezo Audio Buzzer

SANCO Model No. : EPI-42C2812L

Customer's Model No. : \_\_\_\_\_

ISSUE	CHECK	APPROVAL	CUSTOMER
LITAO 13.01.09	ShiRong 13.01.09	WUSHAOCANG 13.01.09	

### NINGBO SANCO ELECTRONICS CO., LTD.

Add: Rm1909, No.487 Yangmuqi Road, Wante Business centre #1 building Hi-tech park, Ningbo China

Fax: 86-575-83851068

Fax: 86-575-83851096

E-mail:sales@sancoelectronics.com

<http://www.sancoelectronics.com/>

# SPECIFICATIONS

Model No.

EPI-42C2812L

Page

1/5

## 1. ELECTRICAL AND ACOUSTICAL SPECIFICATION

	Item	Unit	Specifications
1-1	Rated Voltage	VDC	12
1-2	Operating Voltage	VDC	3-20
1-3	* Rated Current (Max)	mA	10
1-4	* Min Sound Output at 30cm	dB	96
1-5	* Resonant Frequency	Hz	2800±500
1-6	Tone Nature		Continue
1-7	Operating Temperature	°C	-20~+60
1-8	Storage Temperature	°C	-30~+70
1-9	Weight	g	15
1-10	Housing Material		ABS
1-11	Lead Wire		UL1007 AWG28 ( Red & Black )

\* Value Applying at Rated Voltage(VDC) ( resonant frequency, 1/2 duty, square wave )

Issue No	Description				

NINGBO SANCO ELECTRONICS CO., LTD.

# SPECIFICATIONS

Model No.

EPI-42C2812L

Page

2/5

## 2.ENVIRONMENTAL TEST

Item	Specifications
2-1 Storage in High temp.	Storage in $+70^{\circ}\text{C} \pm 2^{\circ}\text{C}$ test box for 240 hours, then expose to the room temperature for 2 hours without applying power.
2-2 Storage in Lower temp.	Storage in $-30^{\circ}\text{C} \pm 2^{\circ}\text{C}$ test box for 240 hours, then expose to the room temperature for 2 hours without applying power.
2-3 Storage in Humidity	Storage in $+30^{\circ}\text{C} \pm 2^{\circ}\text{C}$ 90-95%RH test box for 96 hours, then expose to the room temperature for 2 hours without applying power.
2-4 Thermal cycle test.	<p>Make this test for 5 cycles without applying power, then expose to the room temperature for 2 hours.</p>
2-5 Vibration test	<p>Amplitude: 1.5mm Time : 1min/axis</p> <p>Make this test for the directions of X,Y, Z for 2 hours each (total 6 hours).</p>
2-6 Drop test	Free drop a unit from the height 100cm to the surface of 10mm thick board ,three directions(X,Y,Z).
2-7 Solderability test	Soldering temp.: $260 \pm 5^{\circ}\text{C}$ Heat applying time: $3 \pm 0.5\text{sec}$ .

PASS CRITERION :

After these tests , the change of S.P.L shall be within  $\pm 5 \text{ dB}$  .

Issue No	Description				

NINGBO SANCO ELECTRONICS CO., LTD.

# SPECIFICATIONS

Model No.

EPI-42C2812L

Page

3/5

## 3.MEASURING METHOD(BUZZER MODE)

### 3-1 .Test Condition

#### 3-1-1.STANDARD

Temperature :  $25 \pm 3^{\circ}\text{C}$

Relative humidity : 60% ~ 70%,

Atmospheric pressure : 860mbar to 1060mbar

#### 3-1-2.JUDGEMENT

Temperature : 15 ~  $35^{\circ}\text{C}$

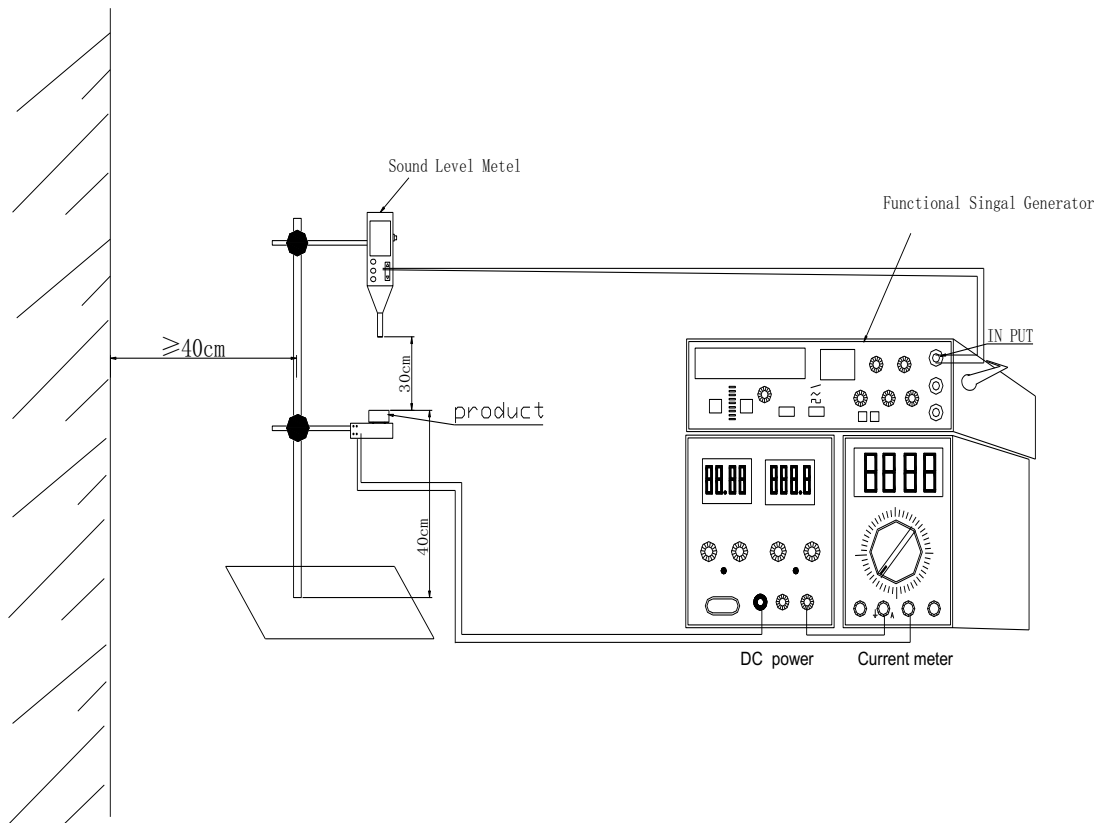
Relative humidity : 45% ~ 85%,

Atmospheric pressure : 860mbar to 1060mbar.

### 3-2 . Standard Test Fixture

1.rated Voltage(Square wave): 12V

2.Resonant Frequency:  $2900\text{Hz} \pm 500$



Issue No	Description				

NINGBO SANCO ELECTRONICS CO., LTD.

# SPECIFICATIONS

Model No.

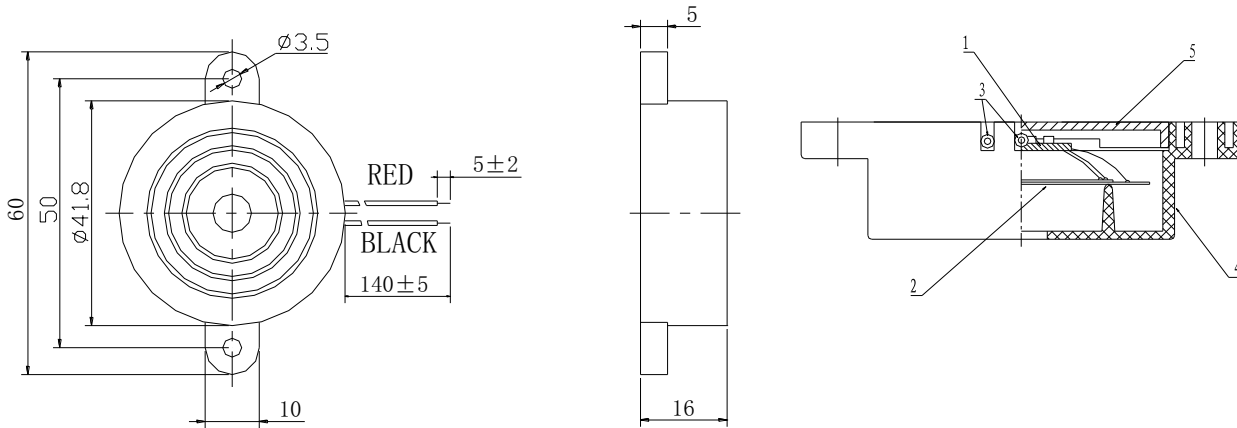
EPI-42C2812L

Page

4/5

## 4.DIMENSIONS

Unless otherwise specified, tolerance:  $\pm 0.5$ (unit:mm)



- 1) All parts must meet to ROHS.
- 2) Wave solder and wash not allowed.

7				
6				
5	Cover	1	Black ABS	
4	Housing	1	Black ABS	
3	Lead Wire	2	UL1007 AWG28(Red&Black)	
2	Piezo element	1	Brass	
1	PCB	1	Epoxy Board	
Part No.	Part Name	Q'TY	Material	Remark

Issue No	Description			

**NINGBO SANCO ELECTRONICS CO., LTD.**

# SPECIFICATIONS

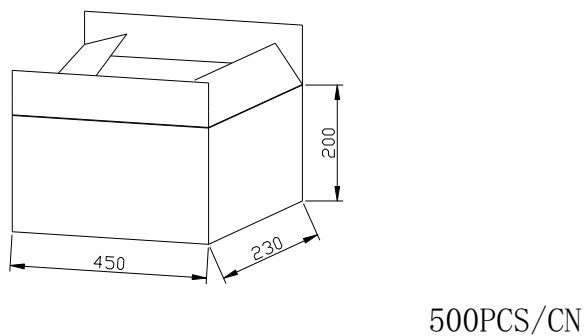
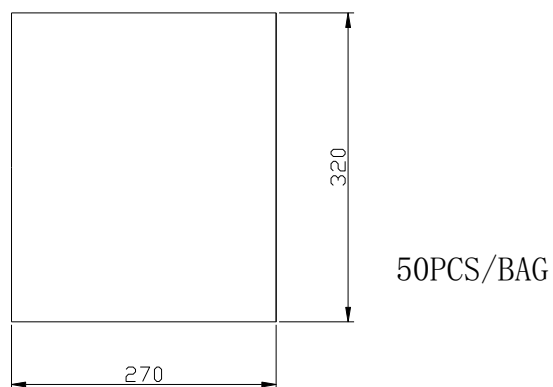
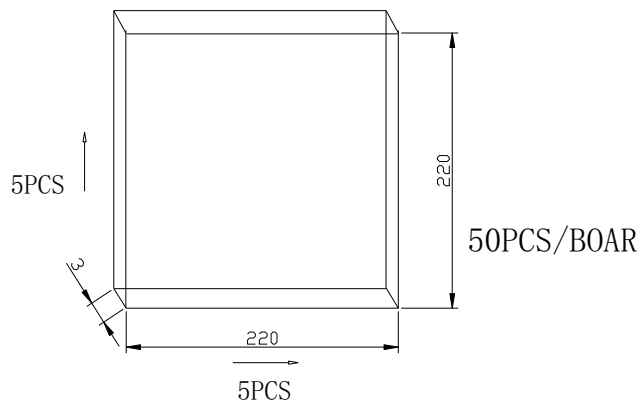
Model No.

EPI-42C2812L

Page

5/5

## 5.PACKING



Issue No	Description				

**NINGBO SANCO ELECTRONICS CO., LTD.**