



Vent Membrane Range

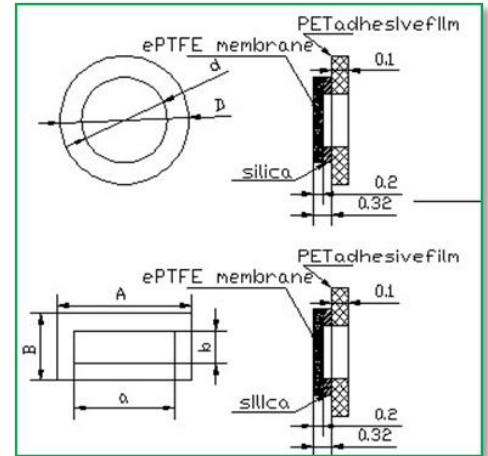
MV-7

Vent, Hydrophobic, Oleophobic

Membrane Specification

- **Membrane P/N:** MV-2FB-20
- **Adhesive Tape Type:** Silicon or Acrylic glue
- **Oil Rating:** #6 (AATCC118)
- **Black ePTFE membrane**, no support material
- **Thickness** :0.2 mm;
- **Water pressure** > 0.6 bar/60s;
- **Airflow** > 290 ml/min/cm², at 70 mbar;
- **Salt spray test:** IEC68-2-11 and IEC68-2-52
- **Protection grade** : IP68, IP69
- **Temperature range:** -40°C~150°C

Drawing



Installation

Surface of housing must be clean and free of oils. Please contact Microvent® sales for housing recommendations and complete installation instructions.

Product Items

P/N	Inner & outer Diameter	Typical Airflow (L/h , at 70mbar)	Backing Width (mm)
MV-70205	Φ2.0Xφ5.0	≥1.5	102
MV-70308	Φ3.3Xφ7.6	≥2.5	102
MV-70510	Φ5.5Xφ10.2	≥8.5	102
MV-70712	Φ7.1Xφ12.7	≥14	102
MV-70814	Φ8Xφ14	≥18	102
MV-70919	Φ8.9Xφ19.1	≥20	102
MV-71221	Φ12.5Xφ21.5	≥45	102
MV-72029	Φ20Xφ29	≥95	102
MV-72030	20X30(10X20)	≥70	102
MV-72040	20X40(10X30)	≥105	102
MV-72051	20X51(10X41)	≥140	102

Note: **Microvent®** reserves the ultimate interpretation of all parameters.

Pan Asian Microvent Tech (Jiangsu) Corporation

Add: No.28-8 Liban Road Lijia Wujin Distric Changzhou China

Tel: +86 13775287836

Emai: henrychangzhou@hotmail.com

Post code: 213165

Fax: 0519-85310816

Website: <http://chinaventing.en.alibaba.com/>



Vent Membrane Range

MV-7

Vent,Hydrophobic,Oleophobic

Superior Pressure Equalization for Improved Product Performance

Hydrophobic and oleophobic ePTFE membrane

Sheds liquid and returns to venting quickly following water spray or submersion
Resists blocking after contact with common automotive fluids

Dirt and dust filtration down to 0.07 µm

Protects against contamination from dirt, dust, salt and road debris

Air permeable membrane that equalizes pressure

Increases component reliability by reducing stress on housing seals

Thermally stable and chemically resistant system

Provides durability and reliable venting in automotive lighting and under-hood environments

Aggressive and durable pressure sensitive adhesive

Easy to install
Proven reliable for interior and exterior applications

Position independent, one-vent-per-housing design

Reduces design and production costs and improves performance consistency

Contact information :

Sales Manager : Henry Chu

E-mail : henrychangzhou@hotmail.com
henry@microvent.com.cn

Skype : henrychangzhou

Tel : +86 13775287836

Website : <http://chinaventing.en.alibaba.com/>

Pan Asian Microvent Tech (Jiangsu) Corporation

Add.: No.28-8 Liban Road Lijia Wujin Distric Changzhou China

Post code: 213165

Tel: +86 13775287836

Fax: 0519-85310816

Emai: henrychangzhou@hotmail.com

Website: <http://chinaventing.en.alibaba.com/>