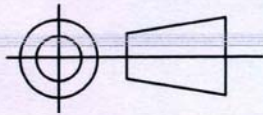
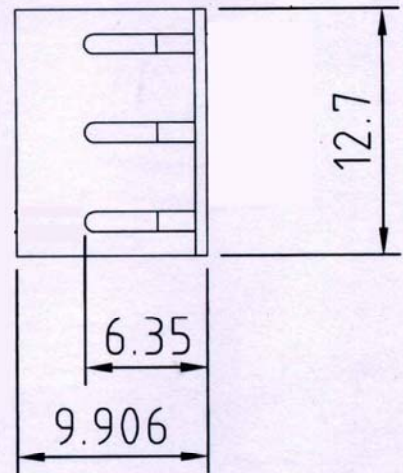
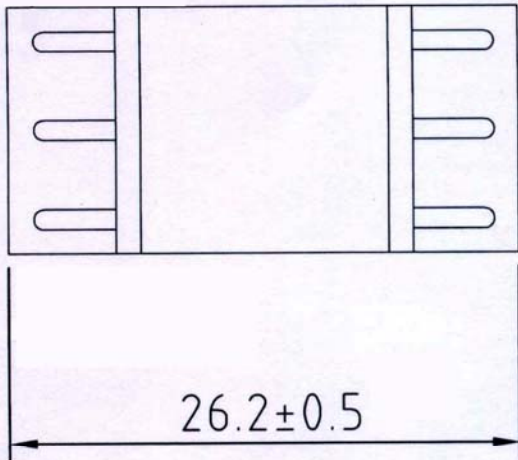
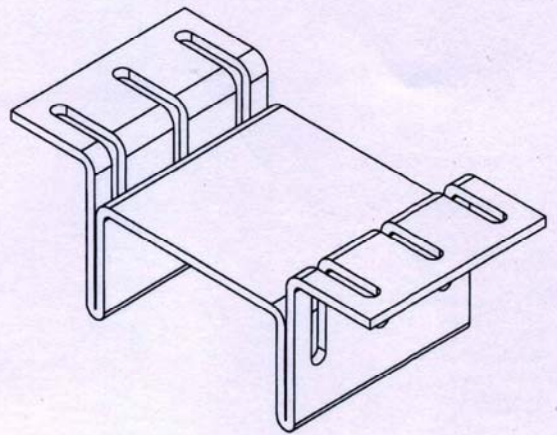
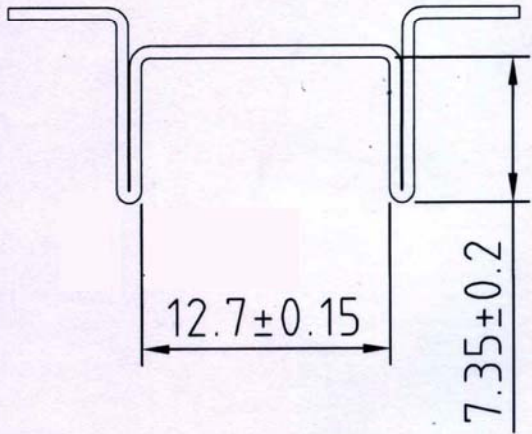


THIRD ANGLE
PROJECTION



REMOVE ALL BURRS
& SHARP EDGES

△	REVISIONS	DATE
△		2017/01/06



PART NO:	PACKING TYPE
BK-CUS-0013-003	BULK PACKING

BROADLAKE CO., LTD.
P.O.BOX 427 KAOHSIUNG
TEL:886-7-2377661
FAX:886-7-2377667
E-MAIL:Broadlake@broadlake.com.tw

TOLERANCE
UNIT ± 0.3

MATERIAL:
COPPER(紅銅) T=0.6mm

FINISHED: (請注意焊錫性)
MATTE TIN PLATED

SCALE:
DIMENSIONS IN M/M

TITLE:

PART NO :
BK-CUS-0013-003

DRAWING NO :