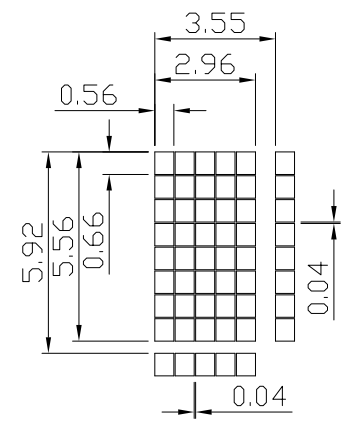
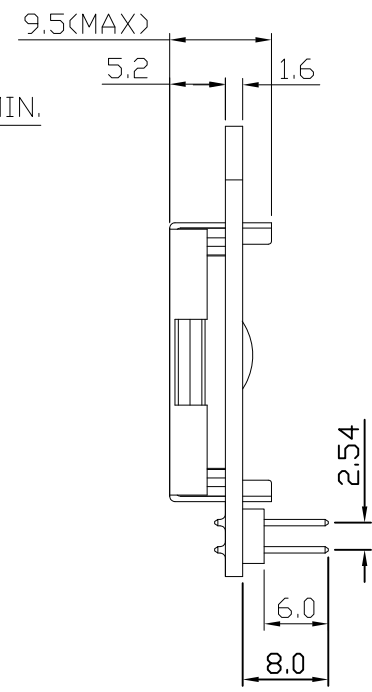
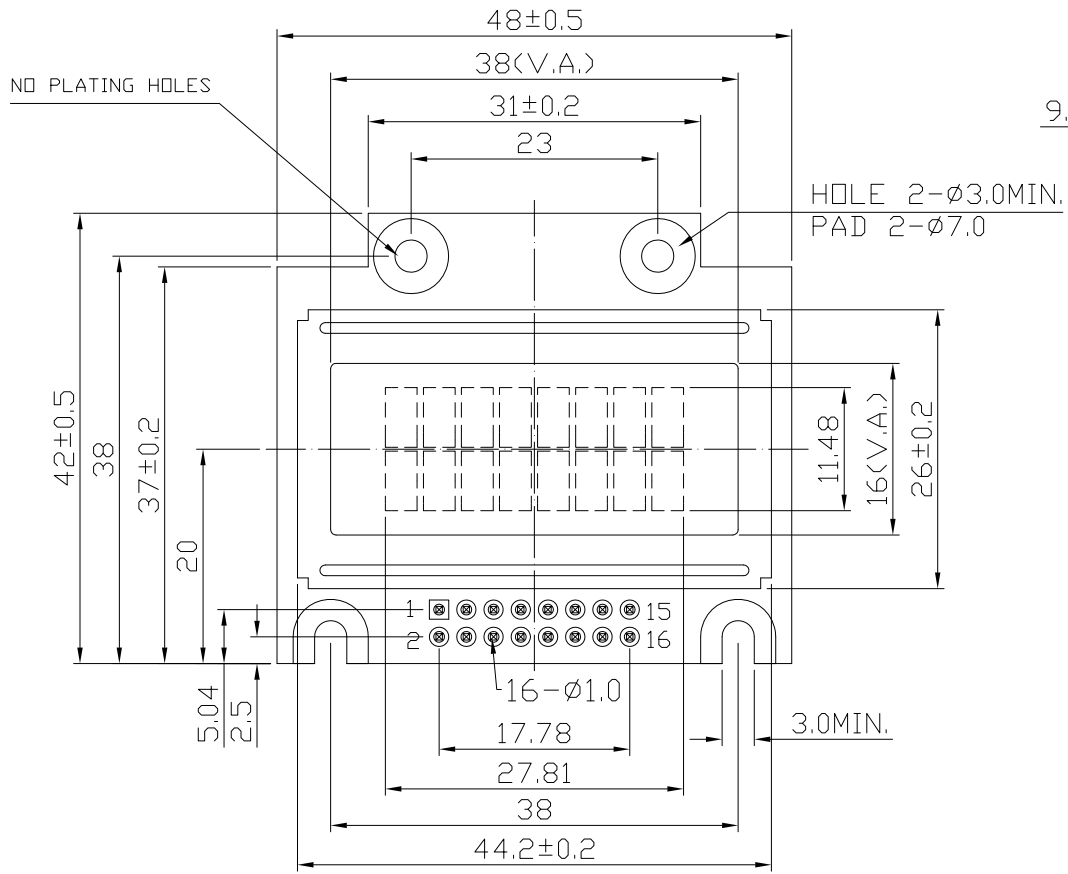


REV	DESCRIPTION:	DATE
1		
2		



PIN	SIGNAL
1	VSS
2	DB0
3	NC
4	DB1
5	VDD
6	DB2
7	V0
8	DB3
9	NC
10	DB4
11	E
12	DB5
13	R/W
14	DB6
15	RS
16	DB7

FEATURES:

1. DISPLAY TYPE: STN GRAY, REFLECTIVE/POSITIVE
2. DRIVING METHOD: 1/16 DUTY, 1/5 BIAS, $V_{LCD}=4.5V$
3. VIEWING DIRECTION: 6 O'CLOCK
4. POWER SUPPLY VOLTAGE: $V_{DD}=5V$
5. BUILT IN CONTROLLER: ST7066U-0A
6. OPERATING TEMPERATURE: $-20^{\circ}C \sim +70^{\circ}C$
STORAGE TEMPERATURE: $-30^{\circ}C \sim +80^{\circ}C$
7. CONNECTION: DUAL ROW PIN HEADER (8X2 PINS)
8. ROHS COMPLIANCE

MODEL NO.: GDM0802J-RN-GBW-P		Xiamen Ocular Optics CO., LTD	
GENERAL TOL: ± 0.2			
NAME	DATE	DRAWN NO.	SCALE:
DRAWN: ALAN	MAY 24, 2016		
CHECKED:		SIZE: A4	UNIT: mm
APPROVED:			PAGE: 1-1