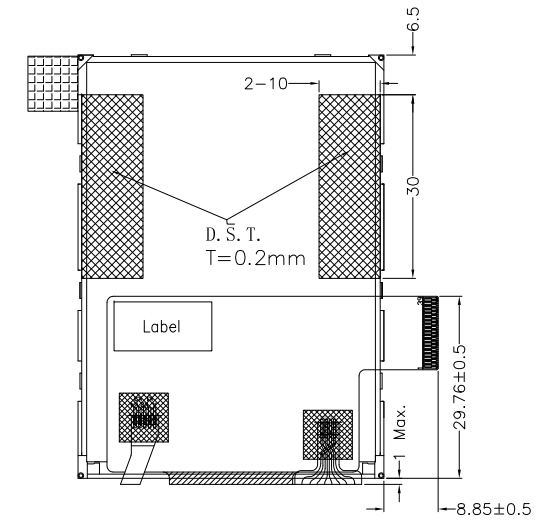
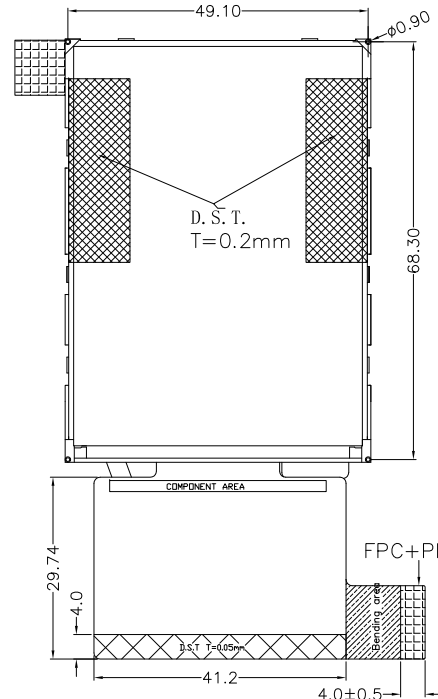
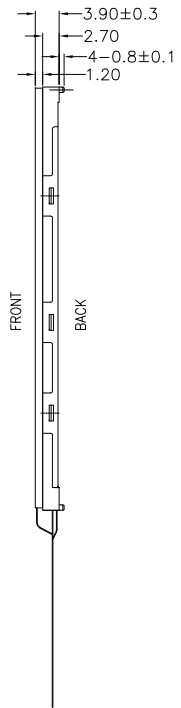
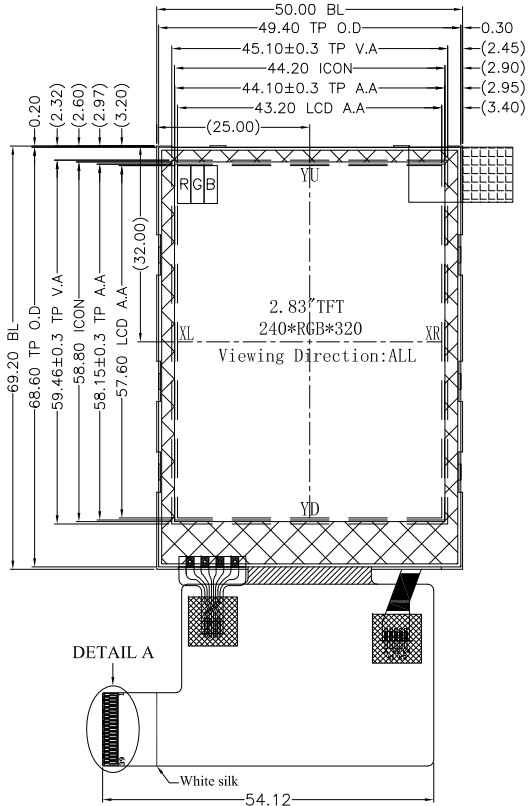
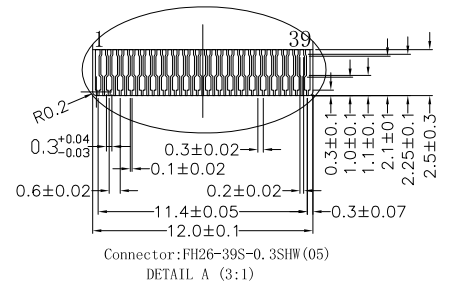


CUSTOMER P/N:

Rev.	DATA	NOTES
V1.0	2018.03.28	New issue
V1.1	2018.04.18	Modify D.S.T. design



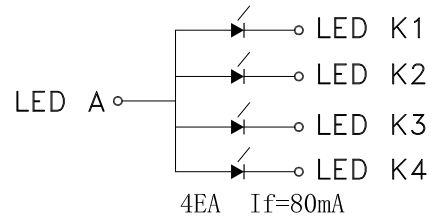
FPC Curved shipment



PIN ASSIGNMENT:

No.	PIN NAME
1	VDD
2	VDD1
3	RESET
4	CS
5	RS
6	WR
7	RD
8	GND
9	NC
10	NC
11	DB0
12	DB1
13	DB2
14	DB3
15	DB4
16	DB5
17	DB6
18	DB7
19	DB8
20	DB9
21	DB10
22	DB11
23	DB12
24	DB13
25	DB14
26	DB15
27	DB16
28	DB17
29	LEDA
30	LEDK1
31	LEDK2
32	LEDK3
33	LEDK4
34	GND
35	XR
36	XL
37	YU
38	YD
39	NC

LED CIRCUIT DIAGRAM:



- NOTES:
- 1.DISPLAY TYPE: 2.83" TFT
 - 2.DISPLAY MODE: TM with Normally Black
 - 3.VIEW DIRECTION: ALL
 - 4.OPERATION TEMPERATURE: -20°C~+70°C
STORAGE TEMPERATURE: -30°C~+80°C
 - 5.GENERAL TOLERANCE: ±0.2
 - 6.Driver IC : ILI9341V
 - 7.REQUIREMENT ON ENVIRONMENT PROTECTION: ROHS

Customer Approval	Drawn:	Lucien	DLC Display Co., Ltd			
	Checked:					
	Approved:		Title	TFT LCM OUTLINE	Unit	mm
	Critical Dim.	<input type="checkbox"/>	Part No.	DLC0283BDP04CF-R-3	Scale	1:1
	Reference Dim.	< >	Revison	V1.1	Page	1/1
			Date	2018-04-18	3 rd Angle	