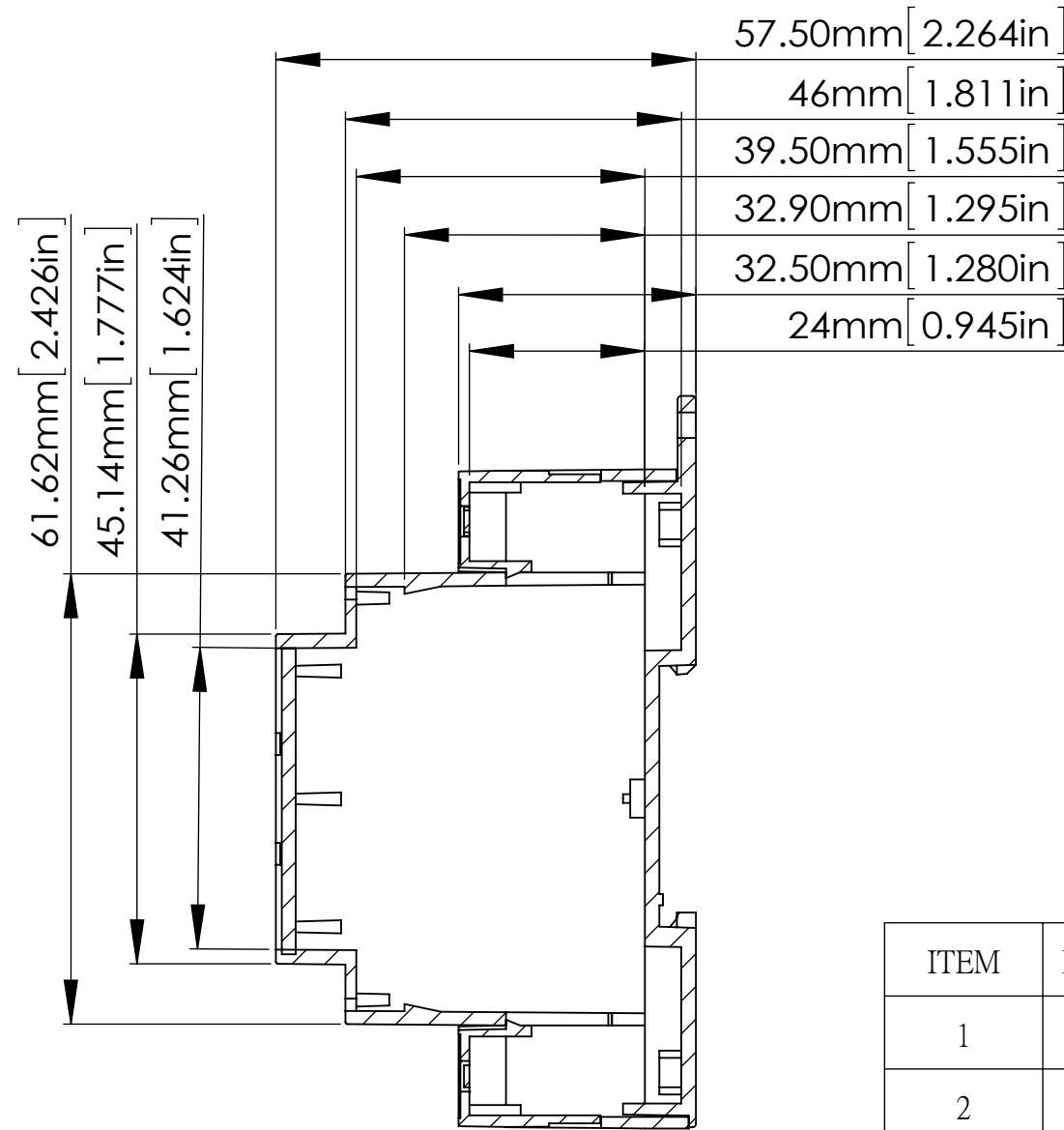
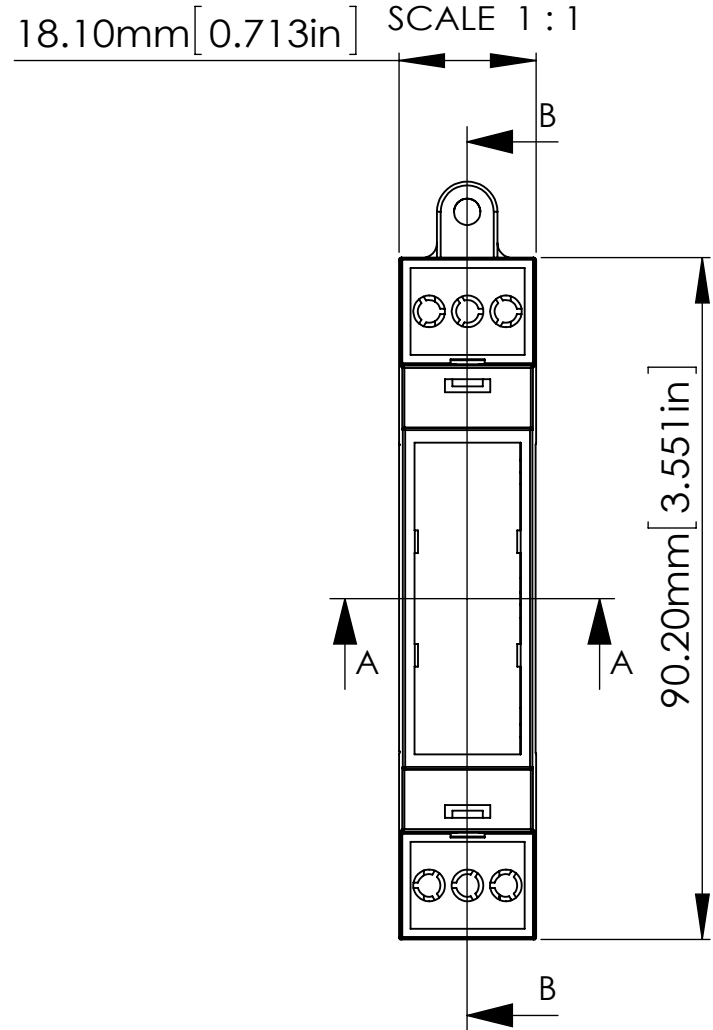
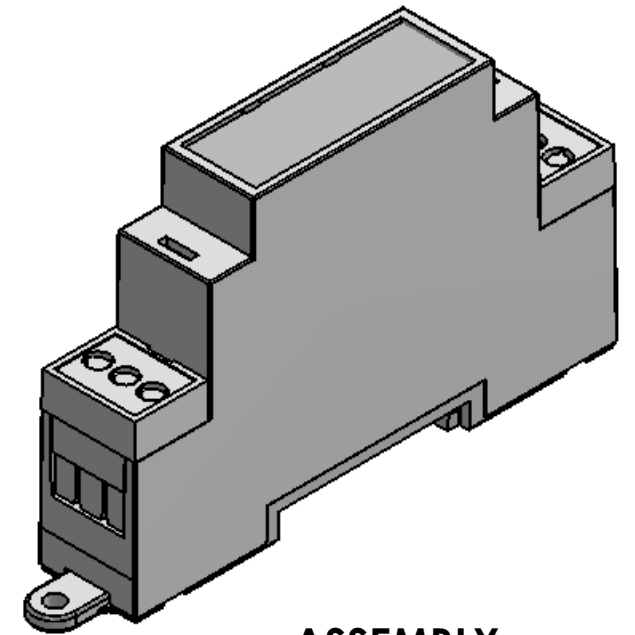


SECTION A-A
SCALE 1 : 1



SECTION B-B
SCALE 1 : 1



ASSEMBLY

ITEM	DESCRIPTION	MATERIAL	COLOUR	UNIT
1	D1MG-BODY	PC/ABS(UL94-V0)	GREY	1
2	D1MG-BASE	PC/ABS(UL94-V0)	GREY	1
3	D1MG-COVER	PC/ABS(UL94-V0)	GREY	1
4	D1MG-GUARD	PC/ABS(UL94-V0)	GREY	2

宣又實業有限公司
GAINTA INDUSTRIES LTD.

繪圖

DRA'D BY

JACKY

日期

DATE

2013/01/15

材質

MATE.

PC/ABS(UL94-V0)

圖名TITLE:

D1MG-ASSEMBLY

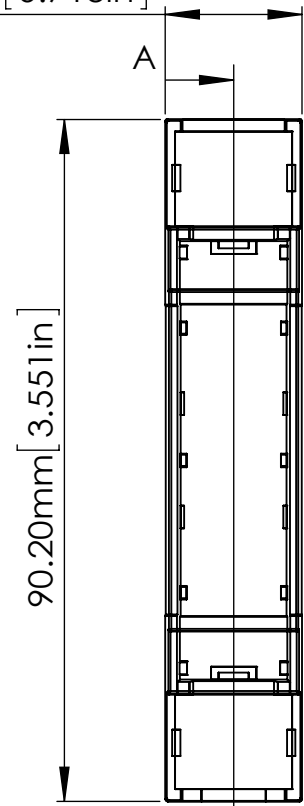
圖號DWG NO:

版次REVISID:

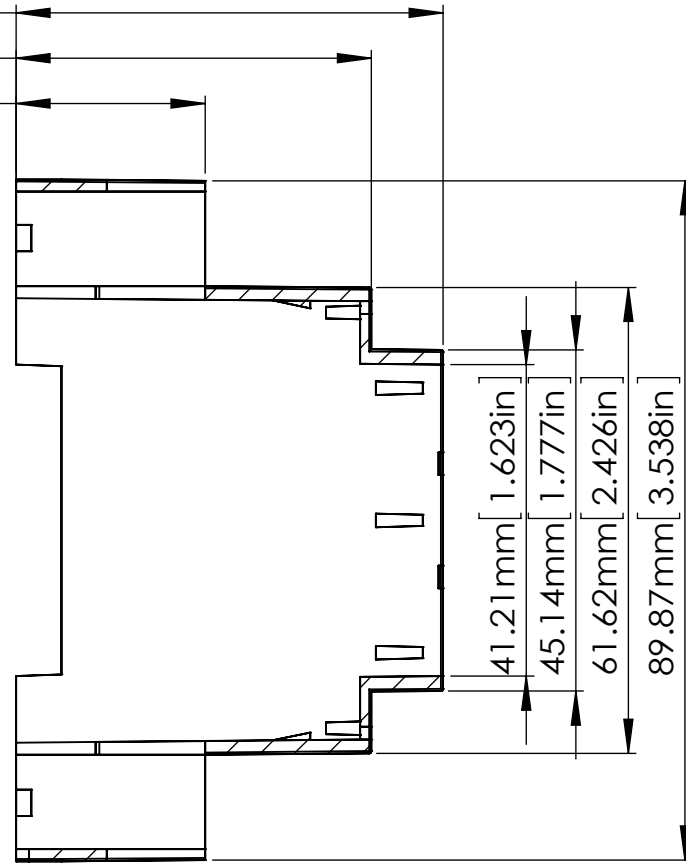
A

D1MG-BODY

18.10mm [0.713in]



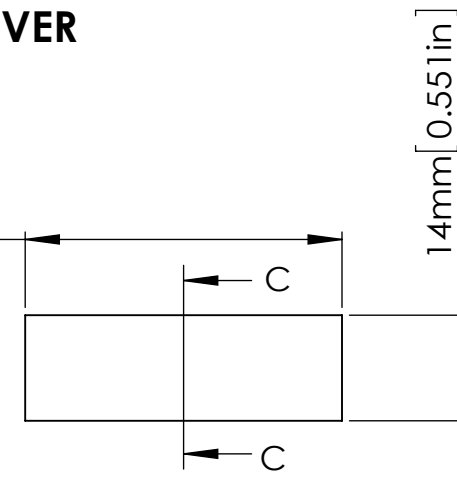
56.50mm [2.224in]
47mm [1.850in]
25mm [0.984in]



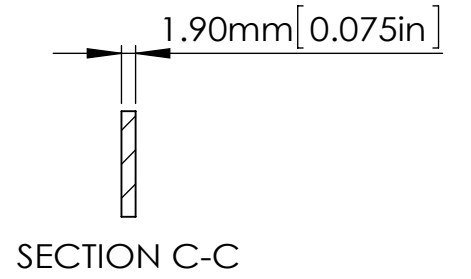
SECTION A-A

D1MG-COVER

42mm [1.650in]



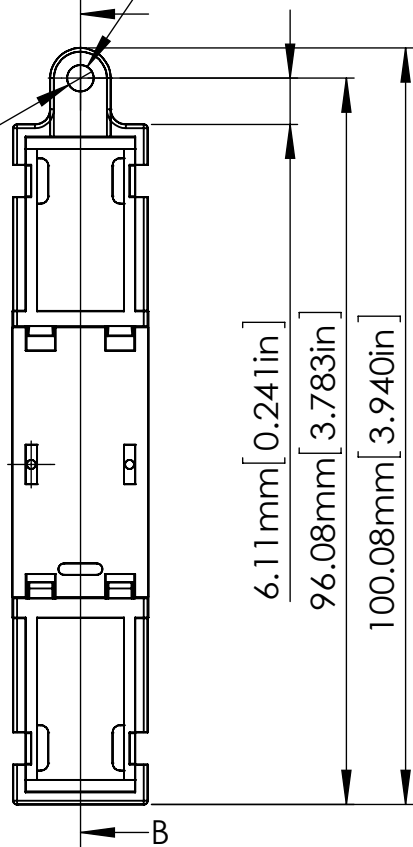
14mm [0.551in]



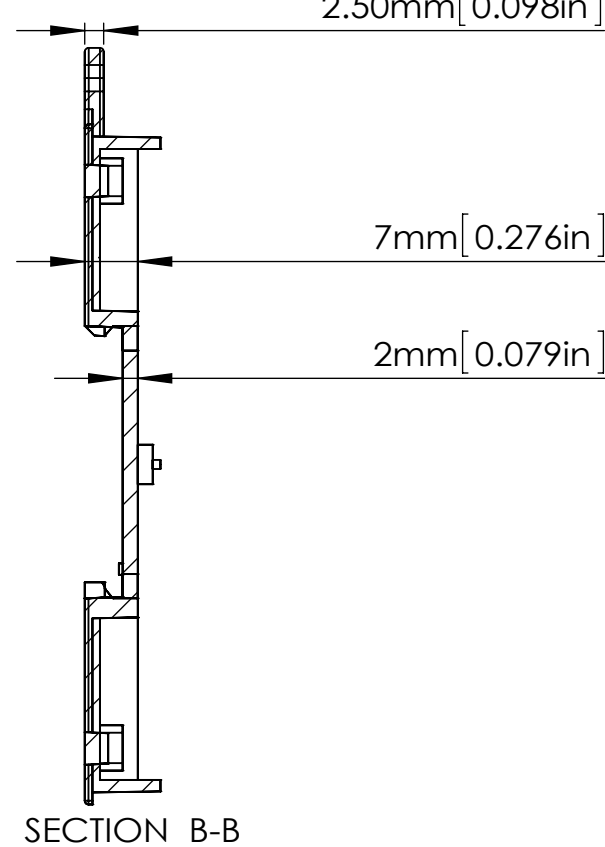
SECTION C-C

D1MG-BASE

$\phi 3.50\text{mm}$ [0.138in]



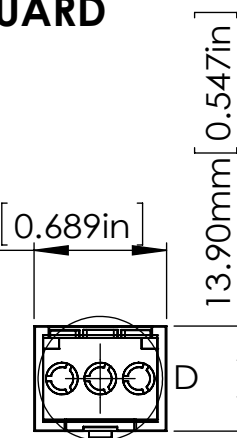
USE M3X9.2 mm
SELF-TAPPING SCREWS



SECTION B-B

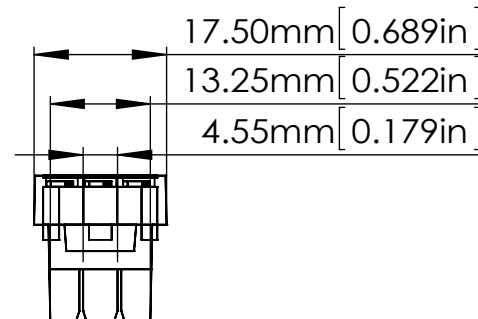
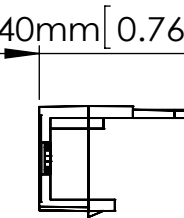
D1MG-GUARD

17.50mm [0.689in]

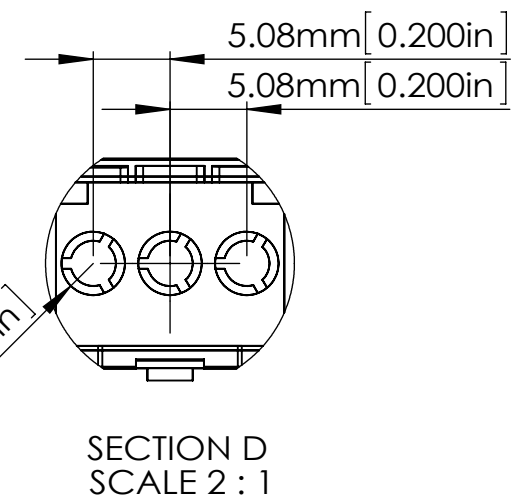


13.90mm [0.547in]

19.40mm [0.764in]



R2.10mm [0.083in]



SECTION D
SCALE 2 : 1

宣又實業有限公司
GAINTA INDUSTRIES LTD.

繪圖

DRA'D BY
JACKY

日期

2013/01/15

DATE

材質

PC/ABS(UL94-V0)

MATE.

圖名TITLE:

D1MG-PART

圖號DWG NO:

版次REVISID:

A