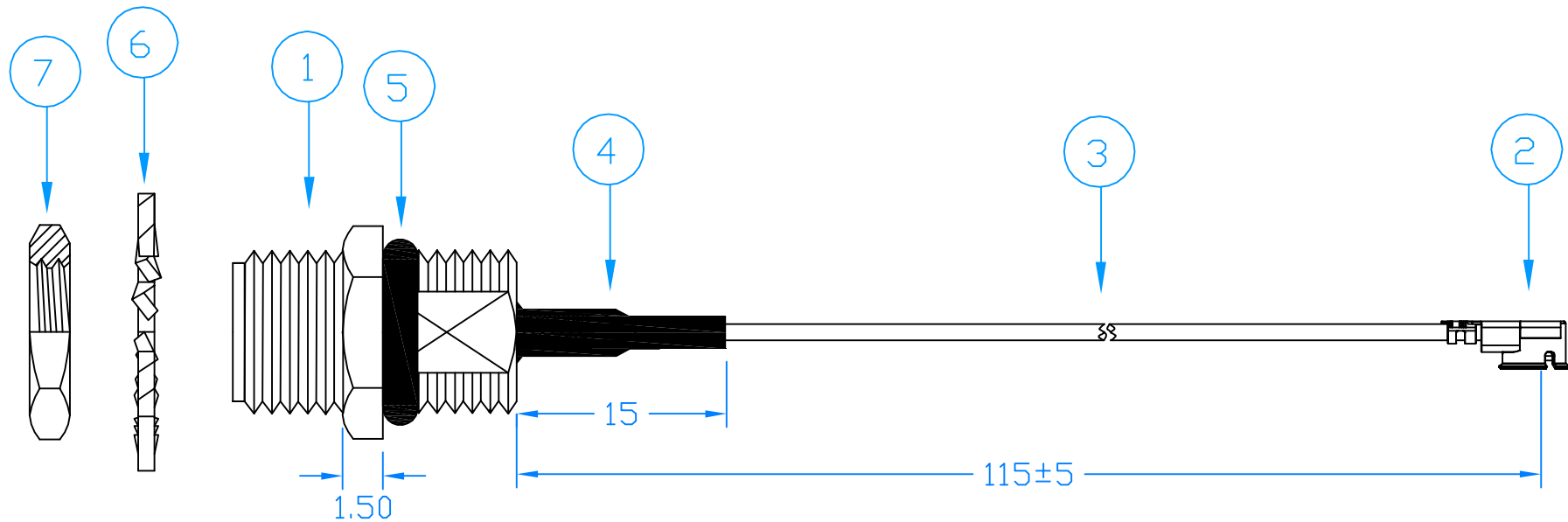


RoHS
Compliance



7	Accessory	1	Nut
6	Accessory	1	Washer
5	Accessory	1	O-Ring
4	Heat Shrink Tube	1	Adhesive Tube
3	Cable	1	1.13MM
2	IPEX	1	20278-112R-13
1	SMA Female Jack	1	KM-011022E 5u" Gold
No.	Specification	QTY	Description

UNLESS OTHERWISE SPECIFIED		*MAJOR DIMENSION		APPROVED		KeMy Electronic Technology Inc.	
		UNLESS OTHERWISE NOTED TOLERANCES		JOHN			
				CHECKED		TITLE SMA Female Jack-1.13mm-IPEX, L=115mm	
				ALLAN			
				DRAWN		DRAWING NO. KM-022017E-0115	
				SUSAN			
				DRAWN DATE		REV	
				2013/Dec./13		B	
						2013/Dec./15	