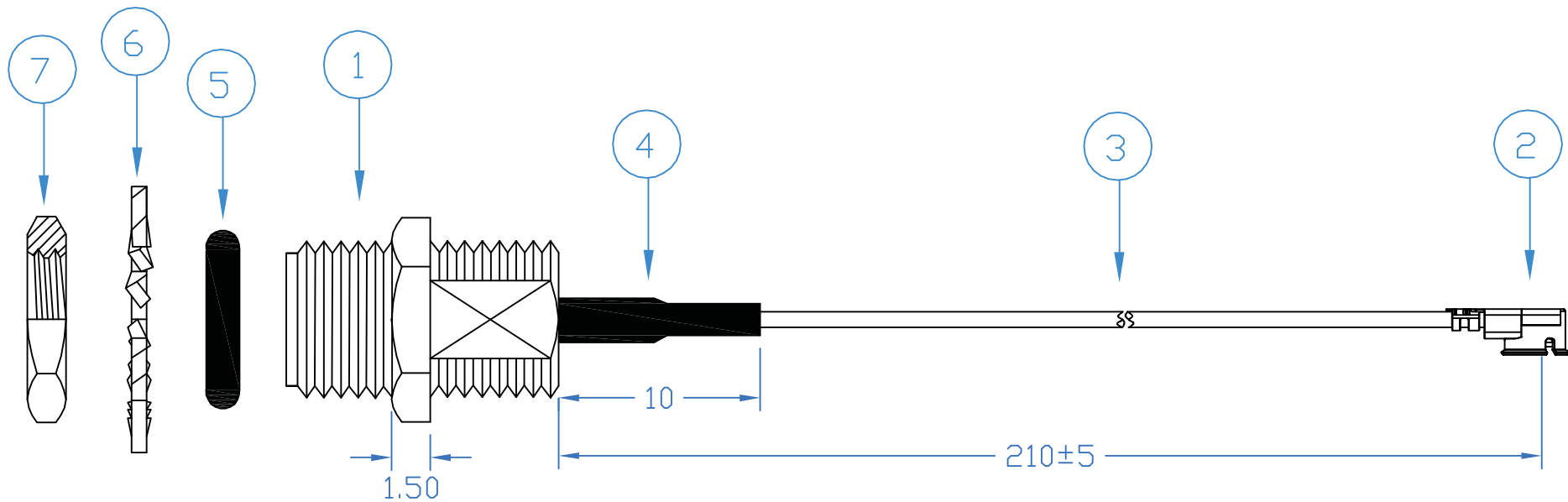


**RoHS**  
Compliance

**APPROVED**

By Tim Stone at 10:41 pm, Jan 19, 2014



7	Accessory	1	Nut
6	Accessory	1	Washer
5	Accessory	1	O-Ring
4	Heat Shrink Tube	1	Adhesive Tube
3	Cable	1	1.13MM
2	IPEX MHF Plug	1	20278-112R-13
1	SMA Female Jack	1	KM-011022E 5u" Gold
No.	Specification	QTY	Description

UNLESS OTHERWISE SPECIFIED		*MAJOR DIMENSION		APPROVED	KeMy Electronic Technology Inc. TITLE SMA Female Jack-1.13mm-IPEX, L=210mm DRAWING NO. KM-022017E-0210
		UNLESS OTHERWISE NOTED TOLERANCES		CHECKED	
				DRAWN	
				DRAWN DATE	
SCALE	UNIT	MM		2013/Dec./13	REV B

