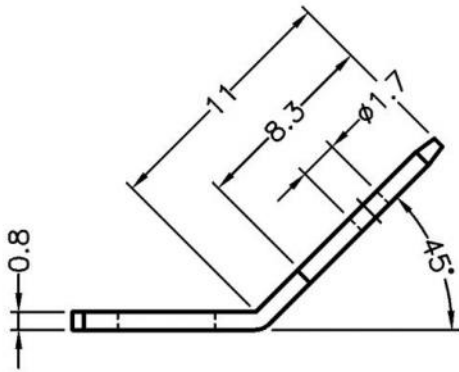
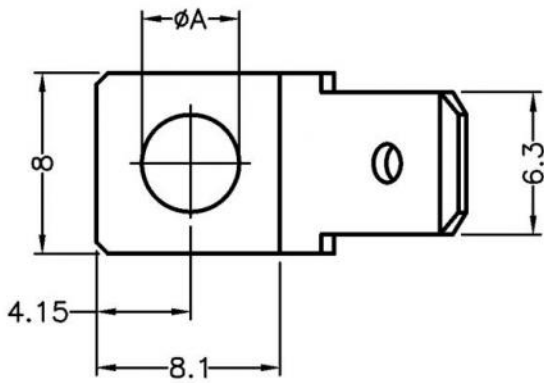


WEBSITE PHOTOS

⚠ This dwg is for reference only, Actual dwg should be based on formal engineering dwg issued by Kang Yang.



A
4.3



康揚企業股份有限公司
 KANG YANG HARDWARE ENTERPRISE CO., LTD.
 康揚塑膠(東莞)有限公司
 KANG YANG PLASTIC(DONG GUAN) CO., LTD.
 康哲電腦配件(吳江)有限公司
 KANG CHE COMPUTER COMPONENTS(WUJIANG) CO., LTD.

PART NUMBER		PC1L250		SPEC. DWG.	
TITLE					
P.C.B TERMINAL				COLOR	
MATERIAL				TIN PLATED BRASS	
SIZE	A4	SCALE	2:1	UNIT	mm
CHECK				Z.C	