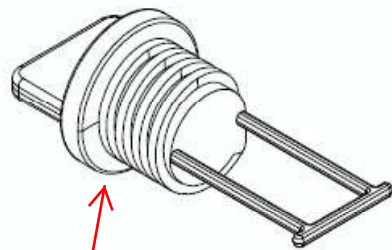
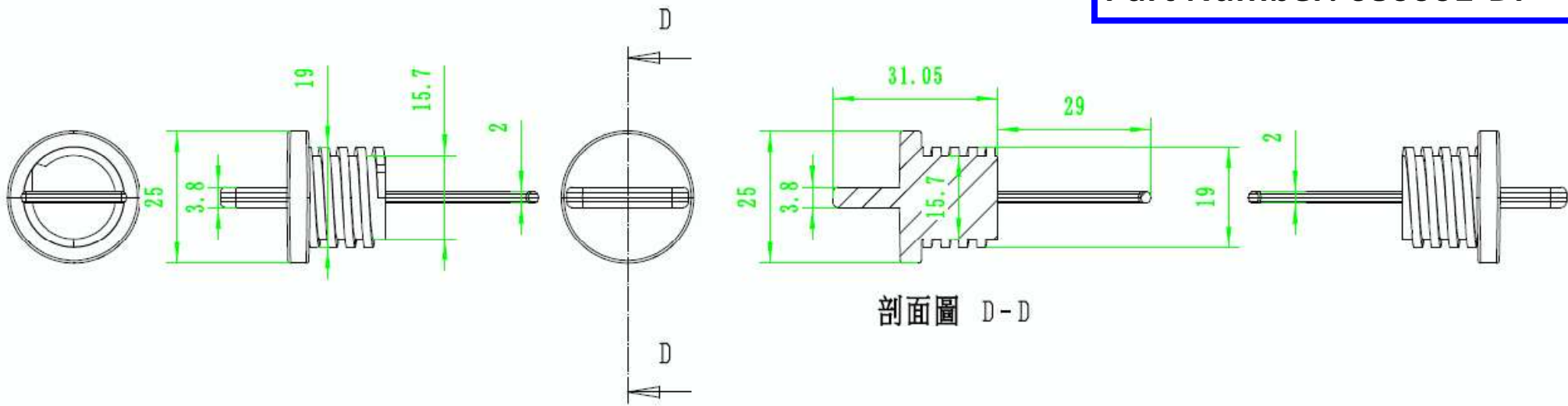
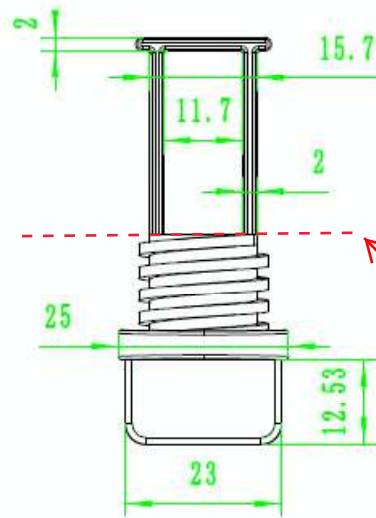


Part Number: 680001-DP



O-ring to be fitted.



Remove retaining clip (cut off and dispose).

PA 15/1000

9808068

A680000-01

DO NOT SCALE DRAWING

UNLESS OTHERWISE SPECIFIED: DIMENSIONS ARE IN MILLIMETERS TOLERANCES:
 LINEAR: ANGULAR:±2° OVERALL:±0.25

DRAWN	NAME	DATE		DEBUR AND BREAK SHARP EDGES
CHK'D	Jennifer Lai	12.14.2020	A	
APP'VD				
MATERIAL:		FINISH:		
		SCALE:1:1	SHEET 1 OF 1	

PAN-U INDUSTRIES CO.,LTD.
 TEL.:886-4-23718617 FAX.:886-4-23716513
 139,Sannin West Road,Taichung, Taiwan,403 R.O.C.

PAN-U
www.panuw.com

TITLE:

DWG NO. **A680000-01** A

REV.