




WH 華興變壓器製造廠有限公司
WAH HING TRANSFORMER MFY. LTD.

香港九龍官塘興業街 15-17 號中美中心 A 座 12-13 樓
 12&13/F, Blk. A, Chung Mei Centre, 15-17 Hing Yip St., Kwun Tong, Kowloon, Hong Kong
 Tel: 852-2341 2297 Fax: 852-2341 5941 E-mail: mkt@wahhing.com.hk

SPECIFICATION FOR APPROVAL

Customer: Wah Hing		
Customer P/N:	Customer Rev.:	
Customer Model No.:	Customer ID: W050	
Wah Hing Model No.: T06568A	Wah Hing Rev.: 01	
Article: AC POWER TRANSFORMER (CLASS B)		
Standard: EN61558-2-6	Safety No.:	
Catalog No.: V30AJ-15A9P7	Date: 2006-06-27	
Remarks: Please note items listed in page.2 that requires your consent for deviation.		
 Eng. Dept. 曹强彦	 Eng. Dept. 邓向阳	 Eng. Dept. 李建华
Designed/Maker	Checked by	Approved by

Please evaluate the samples, sign this approval sheet and return to WAH HING

- Approved
- Rejected
- Conditional Approved

Comments:

Customer Approved by : _____

Signature & Date

WH 華興變壓器製造廠有限公司
WAH HING TRANSFORMER MFY. LTD.
PRODUCT SPECIFICATION

Deviation and History

Please note items listed below does not meet your specifications and requires your consent for deviation:

Item	Customer specification	Suggestion specification
1		
2		
3		
4		

Remarks:

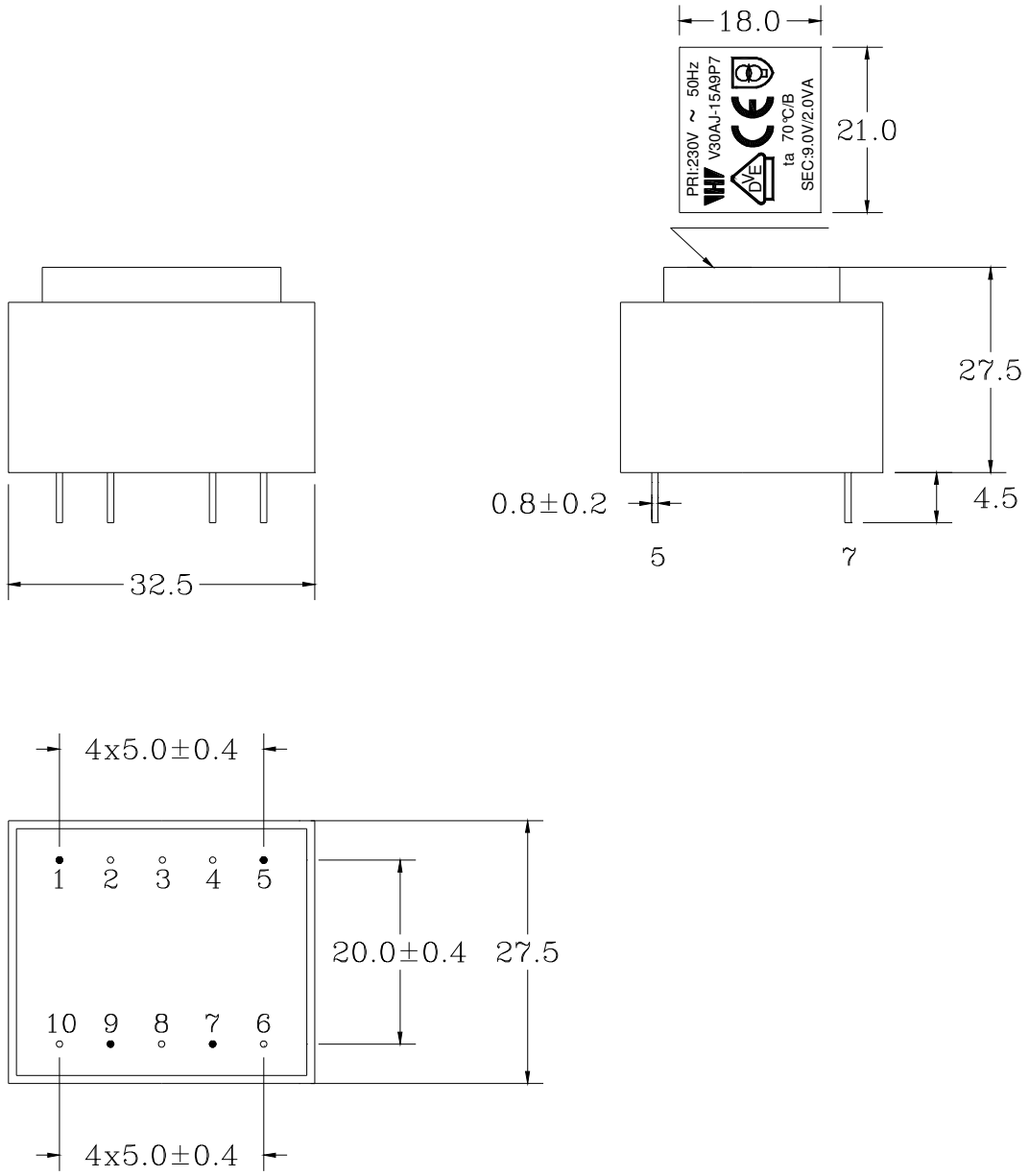
△8				
△7				
△6				
△5				
△4				
△3				
△2				
△1	01			
--	00	Initial Issue	Cao	2003-06-10
Item	Rev	Description	Sign	Date

History

Customer P/N: _____ Wah Hing Model No.: T06568A

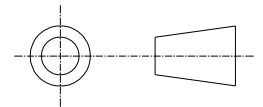
華興變壓器製造廠有限公司
WAHING TRANSFORMER MFY. LTD.
PRODUCT SPECIFICATION

Dimensions and Diagram



Notes:

1. Unit: mm
2. Marking: pad-print on top of case, letter in white, background in black
3. Pins exist at position: 1, 5, 7, 9.
4. The otherwise tolerance is follows:
 - x. ± 1.0
 - . x ± 1.0
 - . xx ± 0.50



Customer P/N:

Wah Hing Model No.: T06568A

華興變壓器製造廠有限公司
WAHING TRANSFORMER MFY. LTD.
PRODUCT SPECIFICATION

Electrical Characteristics

Standard atmospheric conditions:

Unless otherwise specified, the standard range of atmospheric conditions for marking measurements and tests are as follows:

Ambient temperature : 15°C to 35°C

Relative humidity : 25% to 85%

If there is doubt about the results, measurement shall be made within the following limits:

Ambient temperature : 20°C ± 1°C

Relative humidity : 63% to 67%

Operating temperature range:

-10°C to +70°C

1	Output voltage and current	<input checked="" type="checkbox"/> Measured in a.c. circuit <input type="checkbox"/> D.C. circuit including rectifying circuit	Refer to Page 3
2	Rated primary voltage	<input checked="" type="checkbox"/> 50Hz <input type="checkbox"/> 60HZ <input type="checkbox"/> Both 50Hz and 60Hz	<u>230</u> V
3	No load current	Input <u>230</u> Vac, <u>50</u> Hz	<u>28</u> mA or less
4	Stand-by consumption	Input <u>230</u> Vac, <u>50</u> Hz	<u> </u> W or less
5	Secondary voltage		Refer to Page 4
6	Insulation resistance	Apply a voltage of 500V d.c. for 1min.: Between the primary and core Between the primary and secondary	<u>100</u> M Ω or more
7	Dielectric strength	Between primary and secondary: <u>4.0</u> KV ac for 1min. 2mA	No damage such as Breakdown, etc.
8	Layer dielectric strength	Apply <u>(A)</u> V, 400Hz for 15s to the primary terminal of <u>(B)</u> V. (A) <u>460</u> V, (B) <u>230</u> V	No damage such as Breakdown, etc.
9	Primary direct Current resistance	Between terminals of <u> </u> and <u> </u>	<u> </u> Ω
		Between terminals of <u> </u> and <u> </u>	<u> </u> Ω
10	Secondary direct Current resistance	Between terminals of <u> </u> and <u> </u>	<u> </u> Ω
		Between terminals of <u> </u> and <u> </u>	<u> </u> Ω
11	Temperature rise	The voltage of <u>(A)</u> V shall be applied to the primary terminal of <u>(B)</u> V. Measurement shall be made after constant temperature are reached. (A) <u>243.8</u> V, (B) <u>230</u> V Secondary load conditions: <input type="checkbox"/> All at the rated current <input checked="" type="checkbox"/> The input voltage is increased by 6% after the rated current is set. <input type="checkbox"/> The rated current is set, with the input voltage 10% high. <input checked="" type="checkbox"/> Other (Ta=70°C)	Windings up to: <u>50</u> K. (by the resistance method) Iron core up to: <u> </u> K. (by the thermometer method)

Customer P/N:

Wah Hing Model No.:

T06568A

華興變壓器製造廠有限公司
WAHING TRANSFORMER MFY. LTD.
PRODUCT SPECIFICATION

Electrical Characteristics				
12	Damp heat	<p>The power transformer shall be stored at an ambient temperature of 40°C±2°C with relative humidity of 90% to 95% for 48h. Then condensation shall be removed. After which measurement shall be made within 10 min.</p>	Insulation resistance	5M Ω or more
			Dielectric strength	Clause 7 shall be satisfied. Trip current 5mA
13	Dry heat	<p>The power transformer shall be stored at an ambient temperature of 100°C±3°C for 6h. After which measurement shall be made within 10 min.</p>	Insulation resistance	5M Ω or more
			Dielectric strength	Clause 7 shall be satisfied. Trip current 5mA
14	Abnormal temperature test	<input type="checkbox"/> 15-day test <input checked="" type="checkbox"/> Short-circuit and overload test with		Windings up to: <u>175</u> °C
15	Beat noise (Hum)			<u>28</u> dB or less
16	Thermo-protector	Primary windings built in / thermal fuse.		
17	Mass			<u>100</u> g (reference)

CONSTRUCTION DIAGRAM AND MATERIAL LIST

1. Internal construction

- (1) Lead wire and winding shall be connected by twisting together.
- (2) Thickness and materials of insulation and also creepage, clearance and thickness of insulation, shall conform to applicable safety standard.

2. Tensile strength of terminals (pins)

A load of 20 N shall be applied in the axial direction. When it is retained for 10±1 seconds, there shall be no loosening or breakdown.

For one not exceeding 2 Kg, the static load same with the self weight shall be applied.

3. Appearance

There shall be no scratches, dents, or distinct blemishes on the body, pin.

4. Fitting strength

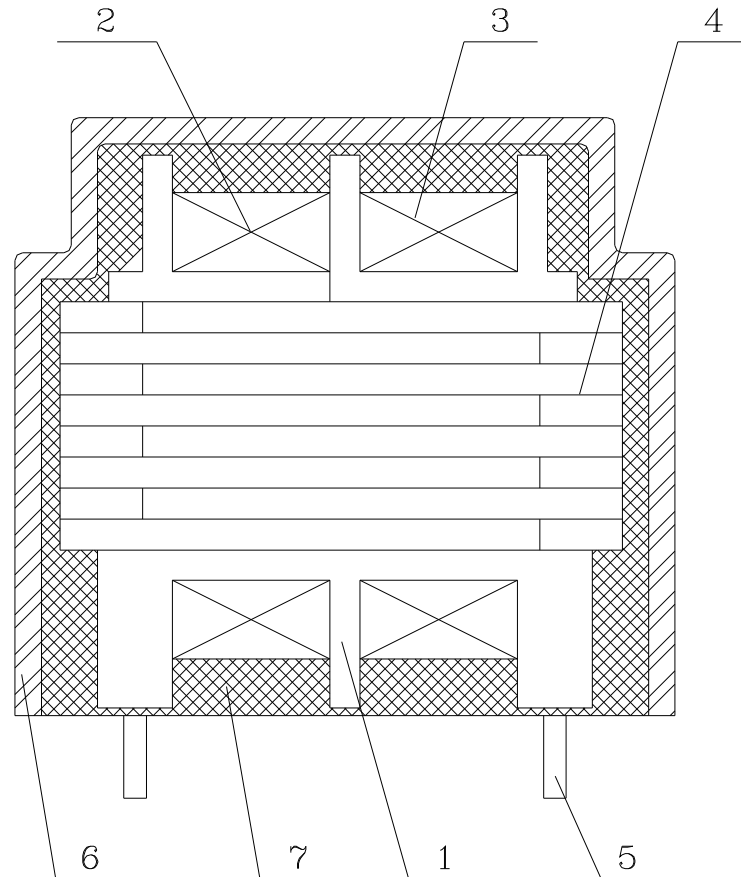
There shall be no damage such as deformation when a static load of 20 N is applied in all directions for 30 s.

Customer P/N:

Wah Hing Model No.: T06568A

華興變壓器製造廠有限公司
WAH HING TRANSFORMER MFY. LTD.
PRODUCT SPECIFICATION

Construction Diagram



- | | |
|----------------------|---------------------|
| 1. BOBBIN | 5. PIN |
| 2. PRIMARY WINDING | 6. POTTING BOX |
| 3. SECONDARY WINDING | 7. POTTING MATERIAL |
| 4. LAMINATION CORE | |

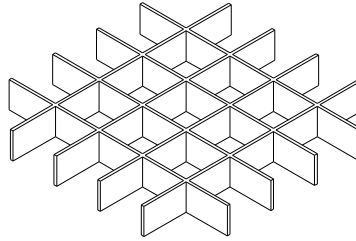
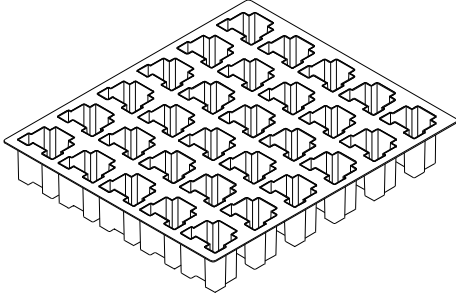
Customer P/N:

Wah Hing Model No.: T06568A

華興變壓器製造廠有限公司
WAHING TRANSFORMER MFY. LTD.
PRODUCT SPECIFICATION

Packing Diagram

Internal:

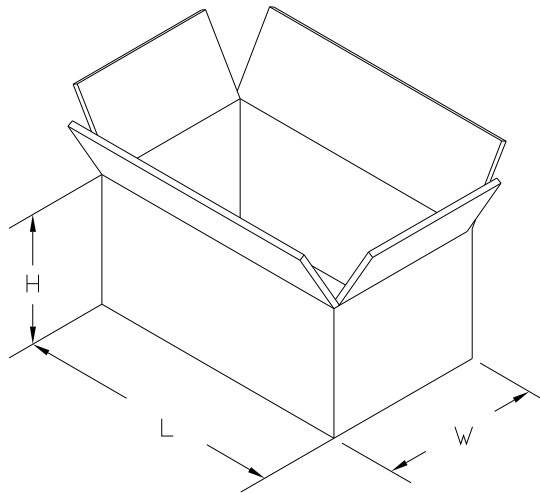


Plastic Package (✓)

Chamber ()

Other ()

Carton box:



Packing description:

	L	W	H
Size (cm)	28	26	15
Tolerance	+2/-0	+2/-0	+2/-0
QTY (pcs)	144		
G. W. (Kg)	15.5		

Remarks:

1. Storage condition:
 Temperature: -20 ~ +60°C
 Relative humidity: 30% ~ 80%
2. Storage time: 6 months
3. Antistatic: no requirement
4. Please advise if any comment on packing information, Otherwise, this information will apply in production.

Customer P/N:

Wah Hing Model No.: T06568A



ELECTRICAL TESTING DATA SHEET

[MSF No: 0666069]

Condition: Input: 230 Vac; 50 Hz		Room Temperature: 28 °C										
DESCRIPTION	SPEC	Pin No.	1	2	3	4	5	6	7	8	9	10
Pri Exec Io(mA) (MAX)	> 8.0 mA		14.7	14.8	14.8	14.5	15.4					
Pri DCR(Ω)			2485	2480	2427	2507	2485					
Wound Core (W)			1.00	1.00	0.98	0.98	1.00					
Sec V _o (V)	15.2V		15.30	15.29	15.29	15.28	15.27					
V _s AC 222 mA	9.0V		9.78	9.76	9.76	9.75	9.76					
Hi-Pot Test :												
Primary - Secondary & Core	3.75kV/min		✓	✓	✓	✓	✓					
Secondary - Core												
Insulation Resistance	≥ 100MΩ		✓	✓	✓	✓	✓					
Hi-Pot Test Equipment :	PM-106	<input type="checkbox"/> 1MWV58	<input checked="" type="checkbox"/> 1MWV66						<input checked="" type="checkbox"/> OK	<input type="checkbox"/> NG		
Customer : Wah Hing		Cust. P/N:							Rev No.: 001	Judgement:	Chg No.: 601	
Wahhing Model No.: T06568A		Tested By: [Signature]							Approved By: [Signature]		Date: 23/Jul/06	

