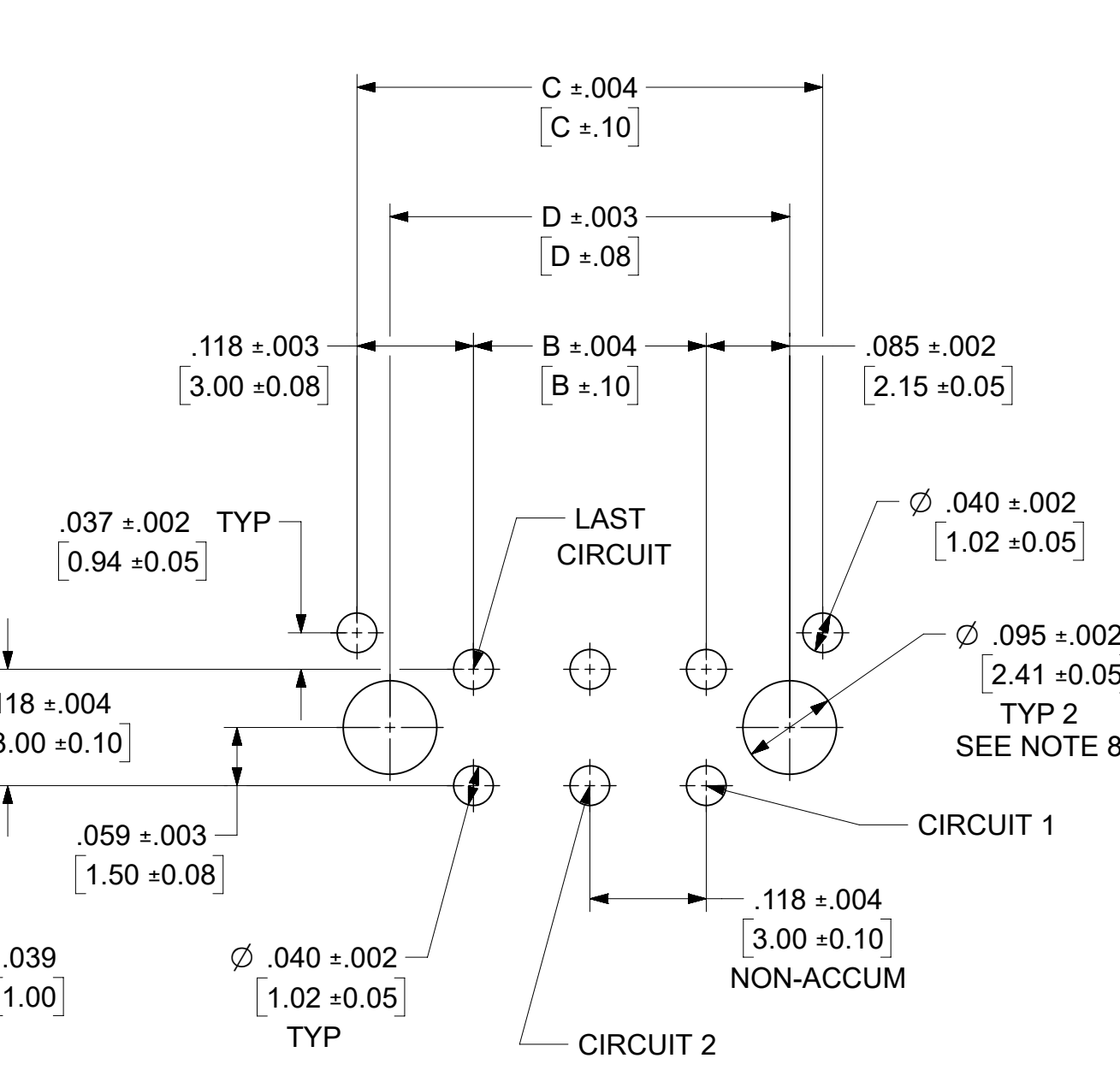
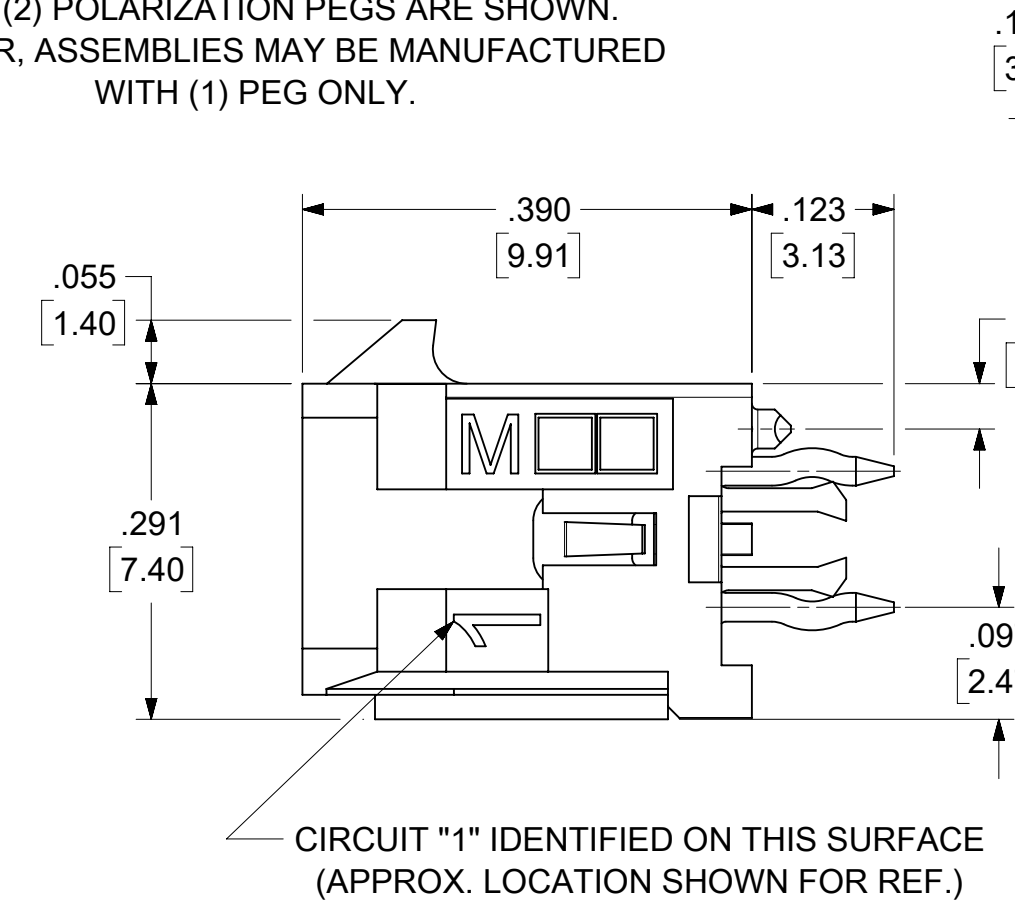
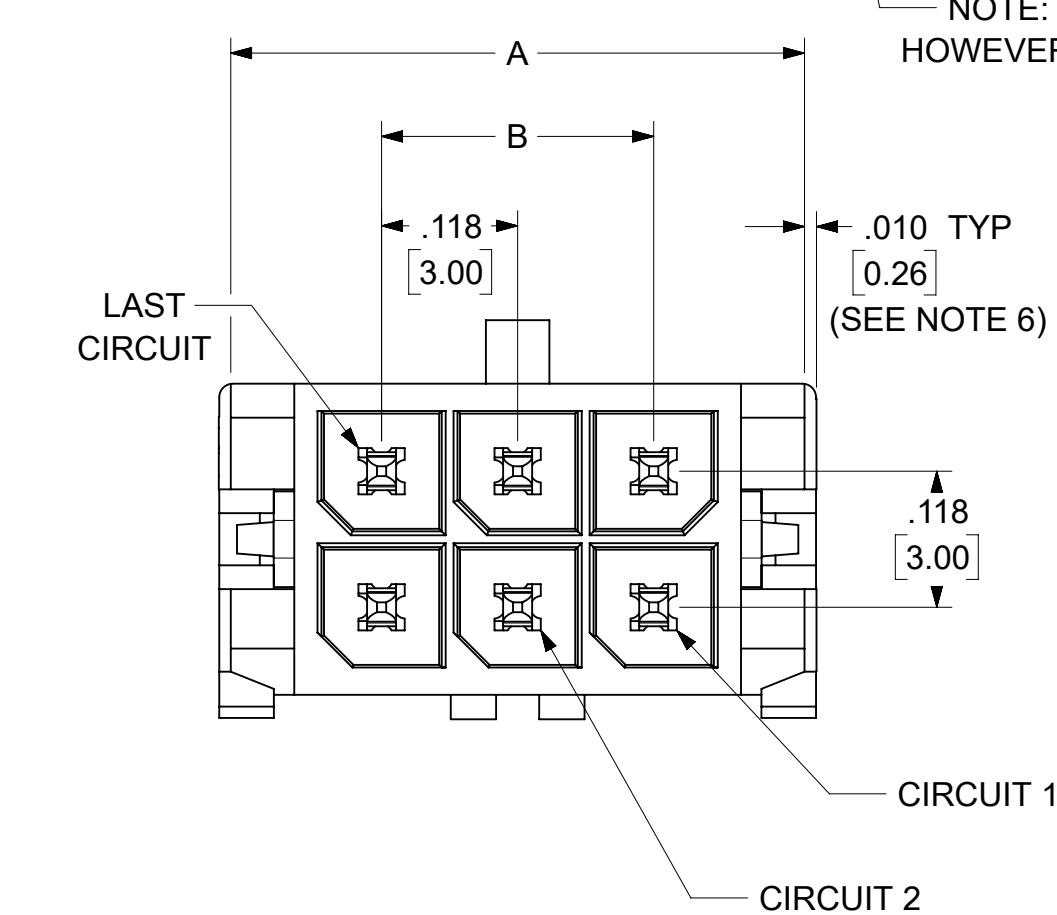


NOTE: (2) POLARIZATION PEGS ARE SHOWN. HOWEVER, ASSEMBLIES MAY BE MANUFACTURED WITH (1) PEG ONLY.

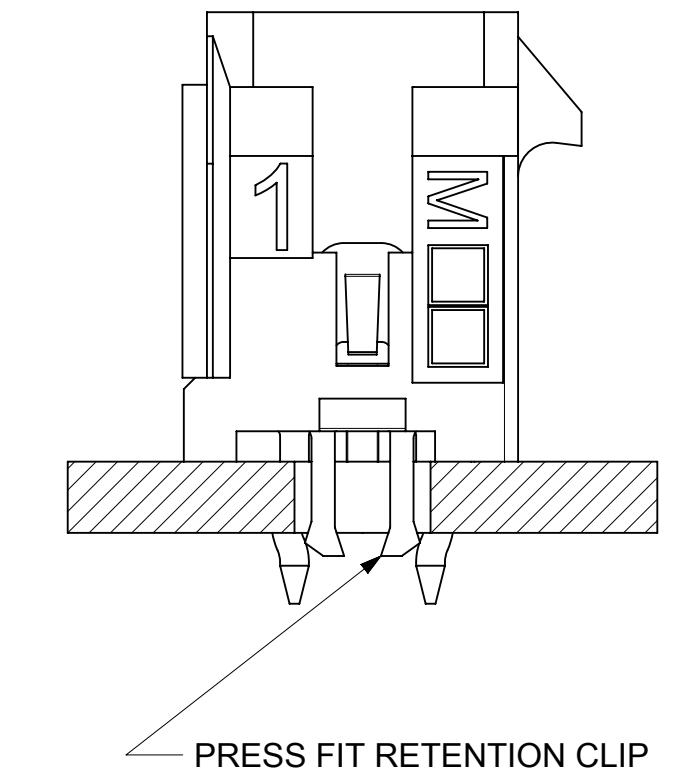


PCB LAYOUT: COMPONENT SIDE  
RECOMMEND PCB THICKNESS .062/1.57

| CKTS | A              | B              | C              | D              |
|------|----------------|----------------|----------------|----------------|
| 02   | .262<br>6.65   | NA             | .236<br>6.00   | .169<br>4.30   |
| 04   | .380<br>9.65   | .118<br>3.00   | .354<br>9.00   | .287<br>7.30   |
| 06   | .498<br>12.65  | .236<br>6.00   | .472<br>12.00  | .405<br>10.30  |
| 08   | .616<br>15.65  | .354<br>9.00   | .591<br>15.00  | .524<br>13.30  |
| 10   | .734<br>18.65  | .472<br>12.00  | .709<br>18.00  | .642<br>16.30  |
| 12   | .852<br>21.65  | .591<br>15.00  | .827<br>21.00  | .760<br>19.30  |
| 14   | .970<br>24.65  | .709<br>18.00  | .945<br>24.00  | .878<br>22.30  |
| 16   | 1.088<br>27.65 | .827<br>21.00  | 1.063<br>27.00 | .996<br>25.30  |
| 18   | 1.206<br>30.65 | .945<br>24.00  | 1.181<br>30.00 | 1.114<br>28.30 |
| 20   | 1.325<br>33.65 | 1.063<br>27.00 | 1.299<br>33.00 | 1.232<br>31.30 |
| 22   | 1.443<br>36.65 | 1.181<br>30.00 | 1.417<br>36.00 | 1.350<br>34.30 |
| 24   | 1.561<br>39.65 | 1.299<br>33.00 | 1.535<br>39.00 | 1.469<br>37.30 |

- NOTES:**
- HOUSING MATERIAL: GLASS FILLED LIQUID CRYSTAL POLYMER, UL94V-0, COLOR: BLACK  
TERMINAL MATERIAL: BRASS ALLOY
  - FINISH: A = .000060/(0.00152) MIN. REFLOWED MATTE TIN OVER .000050/(0.00127) MIN. NICKEL PLATE. (FINISH IS BRIGHT IN APPEARANCE, THICKNESS AS APPLIED PRIOR TO REFLOW)  
B = .000015/(0.00038) MIN. SELECT GOLD IN CONTACT AREA; .000100/(0.00254) MIN. SELECT MATTE TIN ON SOLDER TAILS; BOTH OVER .000050/(0.00127) MIN. NICKEL PLATE.  
C = .000030/(0.00076) MIN. SELECT GOLD IN CONTACT AREA; .000100/(0.00254) MIN. SELECT MATTE TIN ON SOLDER TAILS; BOTH OVER .000050/(0.00127) MIN. NICKEL PLATE.  
D = .000100/(0.00254) MIN. MATTE TIN OVER .000050/(0.00127) MIN. NICKEL PLATE.
  - PRODUCT SPECIFICATION: PS-43045
  - TRAY PACKAGED: SEE MOLEX DRAWING PK-70873-0314
  - MATES WITH MICRO FIT (3.0) RECEPTACLE SERIES 43025
  - CIRCUIT SIZES 2-6: "D" IS .265/6.74 FOR .010/0.25 STEP  
CIRCUIT SIZES 8-24: "D" IS .063/1.60 FOR .010/0.25 STEP.
  - THIS PART CONFORMS TO CLASS B REQUIREMENTS OF COSMETIC SPECIFICATION PS-45499-002.
  - FOR BEST RETENTION TO PCB, HOLES FOR CLIPS SHOULD BE PTH AND CLIPS SHOULD BE SOLDERED
  - TEXT ON PART IS FOR REFERENCE ONLY. TEXT AND TEXT LOCATION MAY VARY DEPENDING ON PART NUMBER AND/OR TOOL

|      | FINISH A     | FINISH B     | FINISH C     | FINISH D     |
|------|--------------|--------------|--------------|--------------|
| CKTS | MATERIAL NO: | MATERIAL NO: | MATERIAL NO: | MATERIAL NO: |
| 02   | 43045-0224   | 43045-0225   | 43045-0226   | 43045-0304   |
| 04   | 43045-0424   | 43045-0425   | 43045-0426   | 43045-0504   |
| 06   | 43045-0624   | 43045-0625   | 43045-0626   | 43045-0704   |
| 08   | 43045-0824   | 43045-0825   | 43045-0826   | 43045-0904   |
| 10   | 43045-1024   | 43045-1025   | 43045-1026   | 43045-1104   |
| 12   | 43045-1224   | 43045-1225   | 43045-1226   | 43045-1304   |
| 14   | 43045-1424   | 43045-1425   | 43045-1426   | 43045-1504   |
| 16   | 43045-1624   | 43045-1625   | 43045-1626   | 43045-1704   |
| 18   | 43045-1824   | 43045-1825   | 43045-1826   | 43045-1904   |
| 20   | 43045-2024   | 43045-2025   | 43045-2026   | 43045-2104   |
| 22   | 43045-2224   | 43045-2225   | 43045-2226   | 43045-2304   |
| 24   | 43045-2424   | 43045-2425   | 43045-2426   | 43045-2504   |



PRESS FIT RETENTION CLIP

|                                       |  |   |  |  |  |
|---------------------------------------|--|---|--|--|--|
| FUNCTIONAL SYMBOLS                    |  | THIS DRAWING CONTAINS INFORMATION THAT IS PROPRIETARY TO MOLEX ELECTRONIC TECHNOLOGIES, LLC AND SHOULD NOT BE USED WITHOUT WRITTEN PERMISSION |  | CURRENT REV DESC: REDRAWN, ADD NOTES 8 AND 9 |  |
| DIMENSION UNITS                       |  | SCALE   |  | EC NO: 736143                                |  |
| INCH/MM                               |  | NTS   |  | DRWN: SETHH6                                 |  |
| GENERAL TOLERANCES (UNLESS SPECIFIED) |  |   |  | 2022/12/16                                   |  |
|                                       |  |   |  | 2023/01/24                                   |  |
|                                       |  |   |  | 2023/01/26                                   |  |
| DIVISIONAL SYMBOLS                    |  | ANGULAR TOL ± 0.5°  |  | THIRD ANGLE PROJECTION                       |  |
|                                       |  |   |  | DRAWING SERIES                               |  |
|                                       |  |   |  | C-SIZE 43045                                 |  |
|                                       |  |   |  | MATERIAL NUMBER CUSTOMER SHEET NUMBER        |  |
|                                       |  |   |  | SEE CHART GENERAL MARKET 1 OF 1              |  |