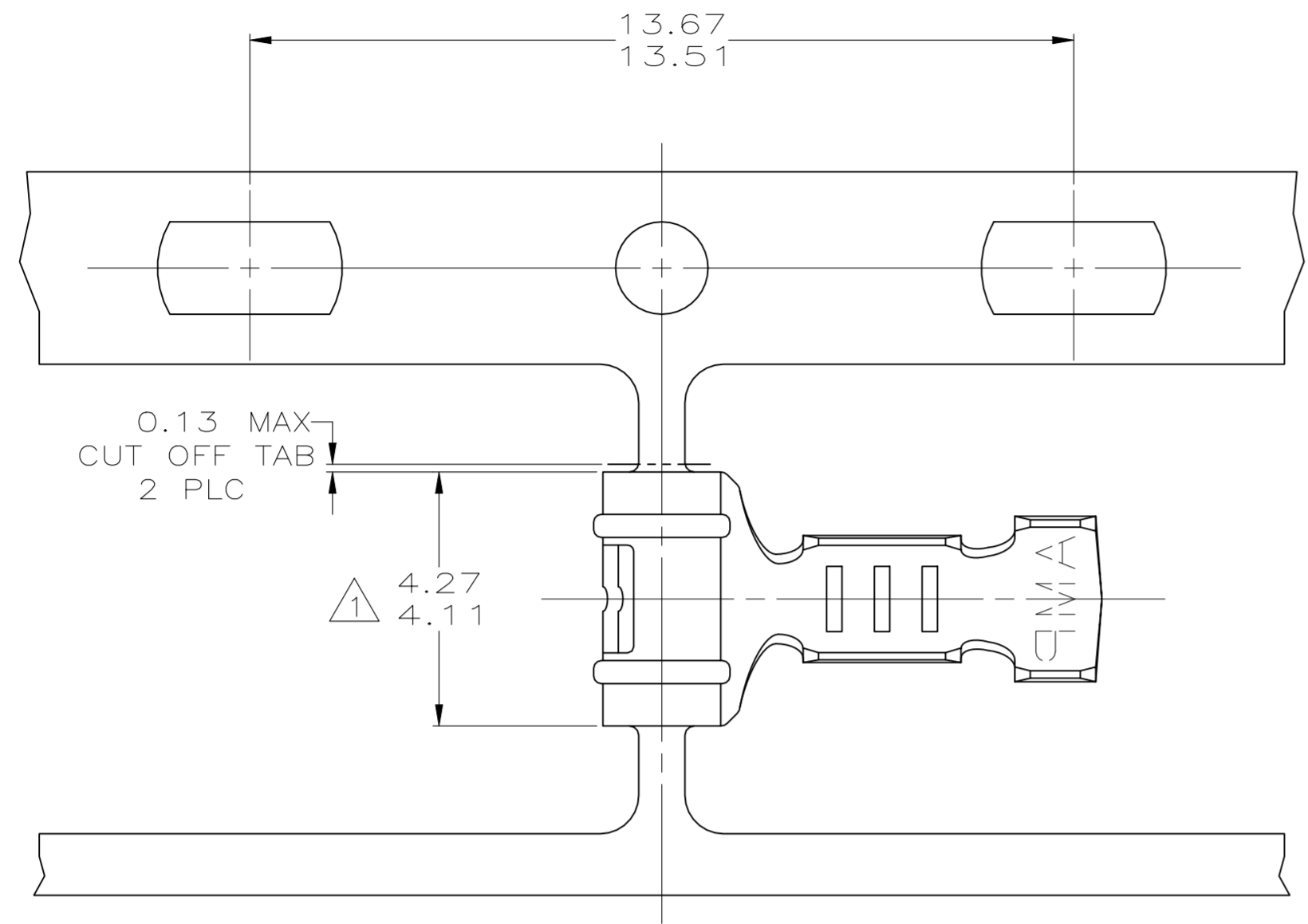
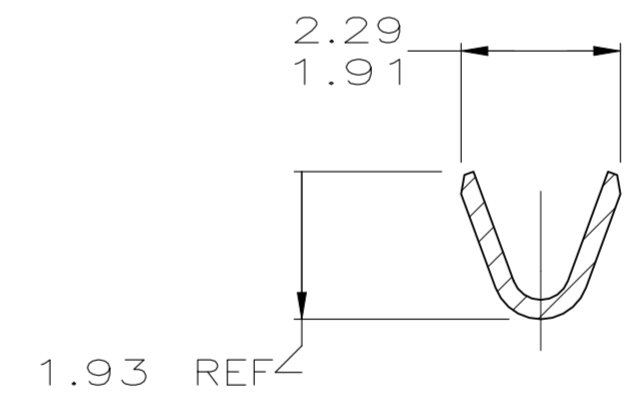
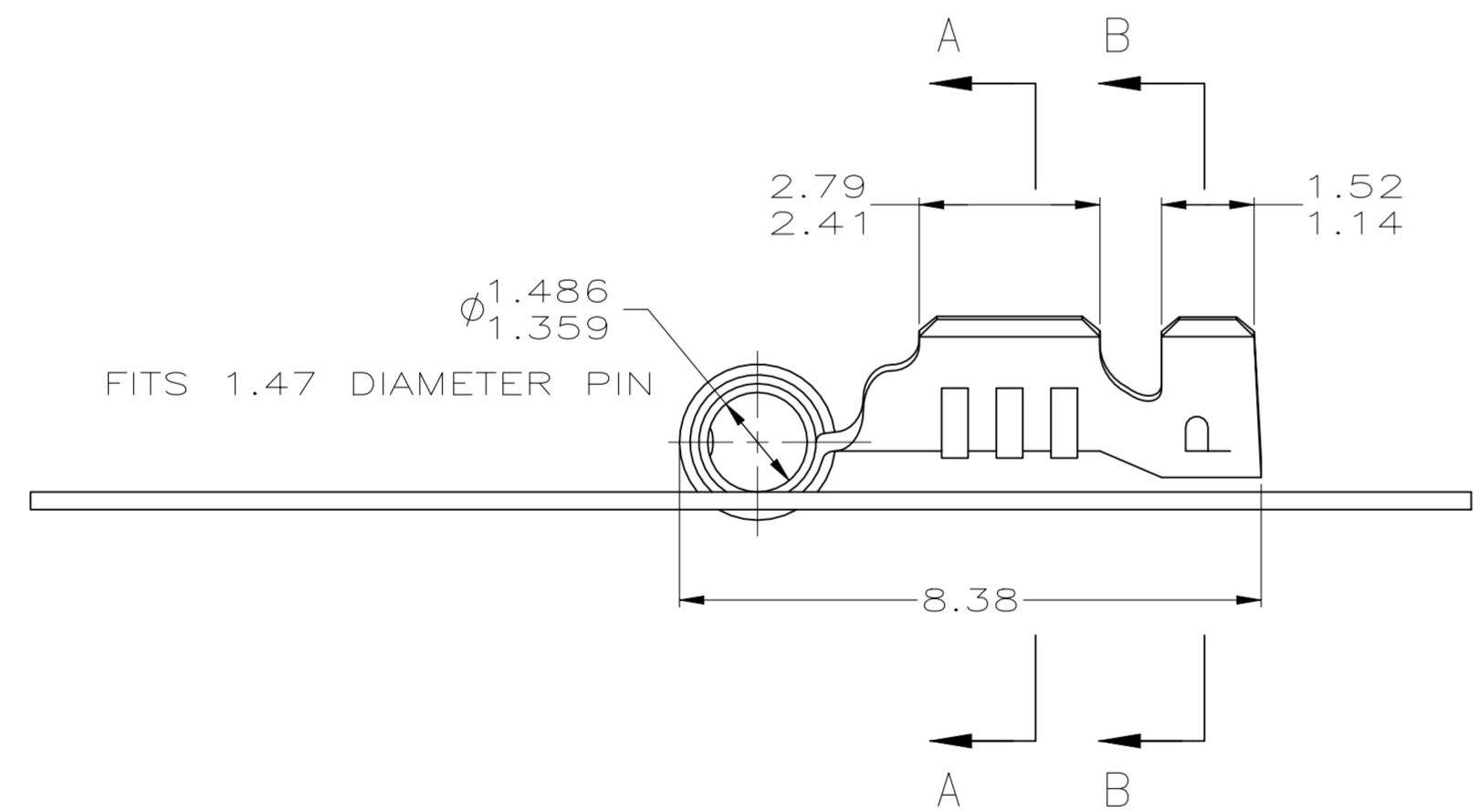


THIS DRAWING IS UNPUBLISHED. RELEASED FOR PUBLICATION .19
 (C) COPYRIGHT 19 BY AMP INCORPORATED. ALL RIGHTS RESERVED.

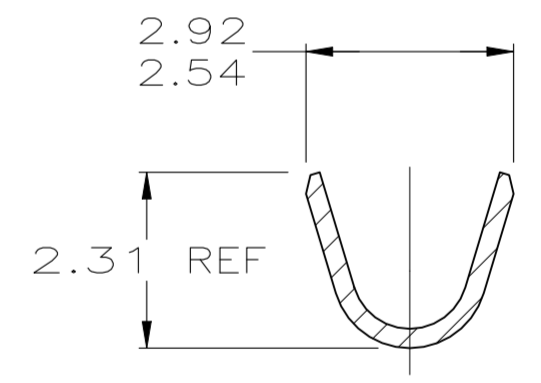
Loc	DIST	REVISIONS				
P	LTR	DESCRIPTION	DATE	DWN	APVD	
CM	52	AA	REVISED PER ECR-23-180920	21-03-24	SK	JP



- 0.00038 MIN SELECTIVE GOLD PLATING ON INSIDE OF RECEPTACLE OVER NICKEL OVER ALL UNDERPLATE.
- WIRE RANGE: 0.2 - 0.6 MM² (24 - 20 AWG)
- INSULATION RANGE: 1.14 - 1.78



SECTION A-A

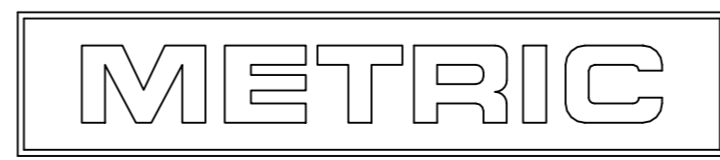


SECTION B-B

SUPERSEDED BY 61119-2	MATTE TIN	0.25 BE COPPER	-61119-3
	PRE-TIN	0.25 PH BRZ	61119-2
	△	0.25 PH BRZ	61119-1
	FINISH	MATERIAL	PART NUMBER

1.47	.058	2.29	.090	4.11	.162	-	-
1.359	.0535	1.93	.076	2.92	.115	-	-
1.14	.045	1.91	.075	2.79	.110	13.67	.538
0.25	.010	1.78	.070	2.54	.100	13.51	.532
0.13	.005	1.52	.060	2.41	.095	8.38	.330
0.00038	.000015	1.486	.0585	2.31	.091	4.27	.168
MM	IN	MM	IN	MM	IN	MM	IN

CONVERSION TABLE



THIS DRAWING IS A CONTROLLED DOCUMENT.

DWN	T. BECK	5-22-97
CHK	R. SWING	5-22-97
APVD	A. BEDDICK	6-17-97

AMP Incorporated
Harrisburg, PA 17105-3608

AMP

NAME RECEPTACLE, .058 DIAMETER, 24-20 AWG, .045-.070 INSULATION, RIGHT ANGLE, P.C. CONTACT

PRODUCT SPEC	108-1025	SIZE	CAGE CODE	DRAWING NO	RESTRICTED TO
APPLICATION SPEC	114-1008	WEIGHT	A2	00779	C-61119

CUSTOMER DRAWING SCALE 10:1 SHEET 1 OF 1 REV AA