

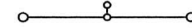
Type No. : CDU50

Order No. : CDU50-

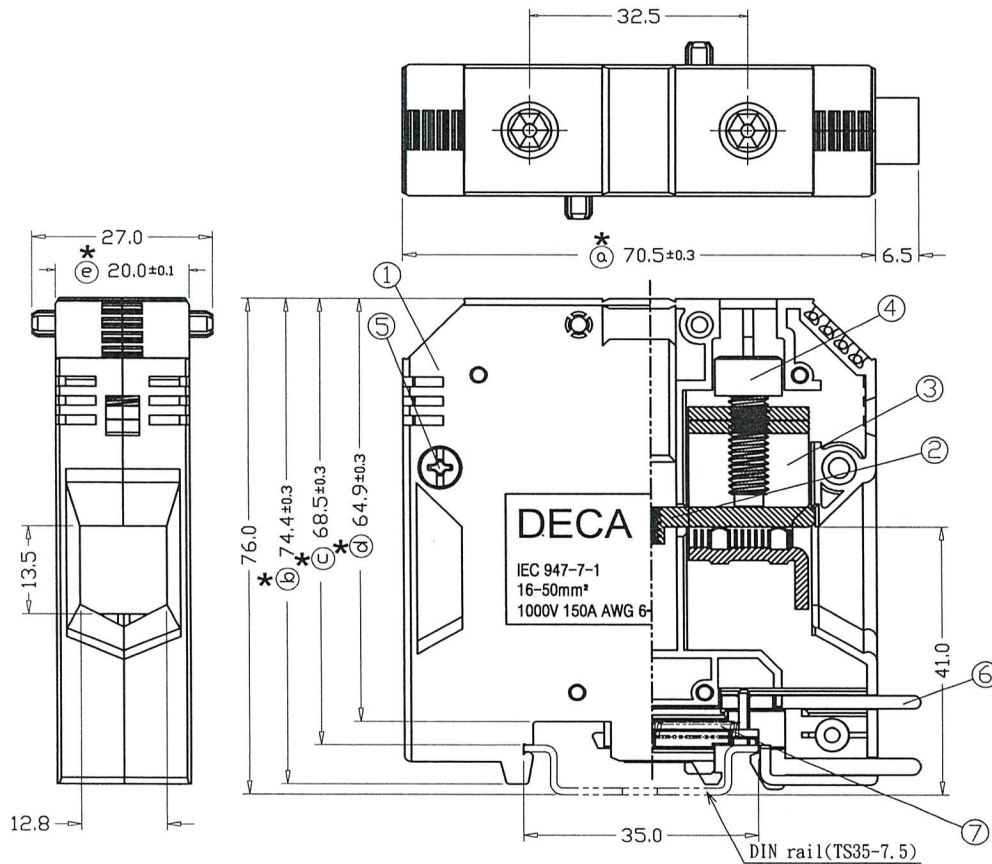


Blank : Beige (standard)  
 B : Blue  
 E : Grey  
 K : Black  
 O : Orange  
 R : Red  
 W : White

□: Color(Insulating body)



	CUL	IEC
Rated voltage	1000V	1000V
Rated current	150A	150A
Solid wire	-	16~50mm <sup>2</sup>
Stranded wire	6~1/0AWG	16~50mm <sup>2</sup>
Torque(Terminal Screw)	6Nm (53.5in-lbs)	4.6~6Nm (40~53in-lbs)
Impulse withstand voltage	8KV	
Terminal Screw	M6	
Wire strip length	20~25mm	
Mounting DIN rail	TS35-7.5/TS35-15/TS32	



CONFIRMED & ACCEPTED BY

	Material	Plating/Finish	Remark
1	Insulating body	PA66 (UL94 V-0)	
2	Terminal	Copper	Tin plated
3	Cage clamp	Steel	Zinc
4	Terminal Screw	Steel M6	Zinc
5	Fixing Screw	Steel M3	Zinc
6	Rail Clamp	PA66 (UL94 V-0)	Orange
7	Spring	Steel	Stainless strip steel

DECA CDU50  
 IEC 947-7-1  
 16-50mm<sup>2</sup>  
 1000V 150A AWG 6-1/0

文件管制  
 AUG 10. 2015  
 文管中心

<b>DECA<sup>®</sup> SwitchLab Inc.</b>		PART NAME	UNIT	SCALE
		Terminal Blocks	MM	
DESIGN	CHECK	APPROVE	DRAWING NO.	SHEET
DATE	DATE	DATE	CDU50-x	1/1
2015/08/10	2015/08/10	2015/08/10		

C  
 REV.