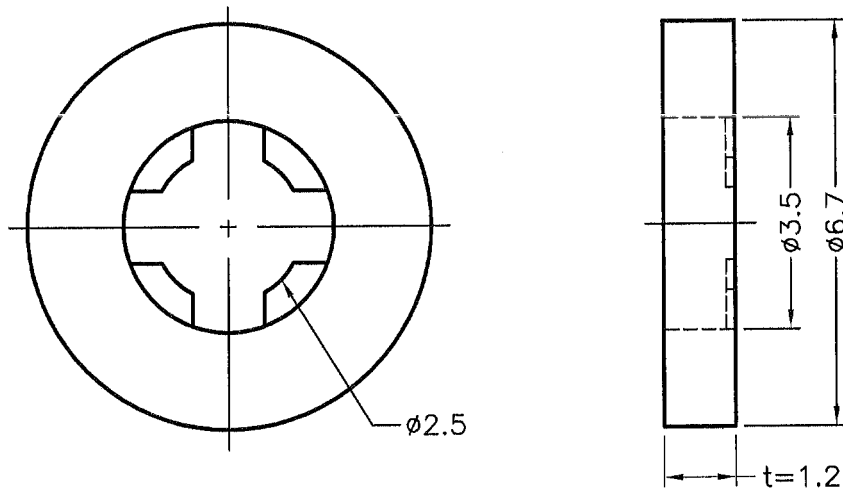



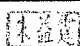

DIM	TOL
5mm DOWN	±0.2
5~20mm	±0.3
20~40mm	±0.4
40~60mm	±0.5
60~100mm	±0.8
100mm UP	±1.0

REVISIONS			
REV	DESCRIPTION	DATE	BY



FOR SCREW M3



 <p>康揚企業股份有限公司 KANG YANG HARDWARE ENTERPRISE CO., LTD. 康揚塑膠(東莞)有限公司 KANG YANG PLASTIC(DONG GUAN) CO., LTD. ISO 9001 ISO 14001 QC 080000 康哲電腦配件(吳江)有限公司 KANG CHE COMPUTER COMPONENTS(WUJIANG) CO., LTD.</p>	TITLE		SCREW WASHER		SPEC. DWG.		
	MATERIAL		NYLON 66 UL94V-2		DATE		2008.09.24
	FINISH				DRAWN		Ken
	COLOR		NATURAL		CHECK		
PART NUMBER		DRAWING NUMBER		UNLESS OTHERWISE SPECIFIED TOLERANCE		APPROVED	
KWS-3-1.2		KWS-3-1.2		SEE ABOVE			
SIZE	SCALE	UNIT	REV				
A4	8:1	mm	A				