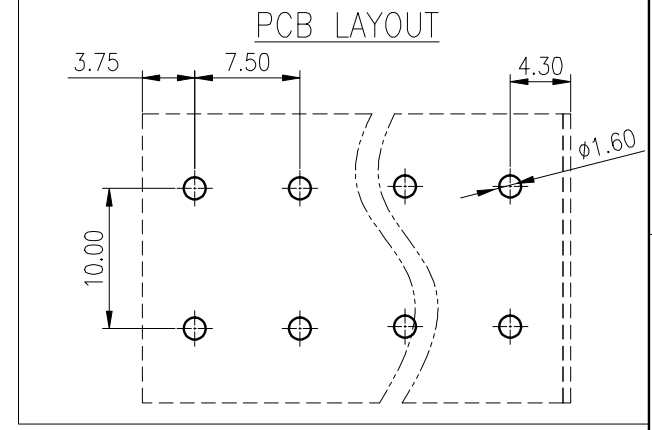
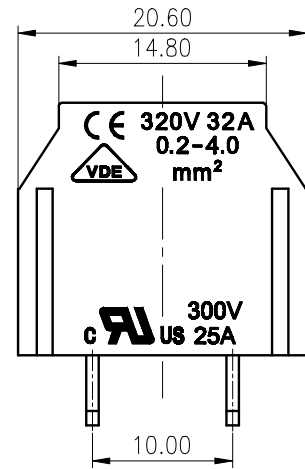
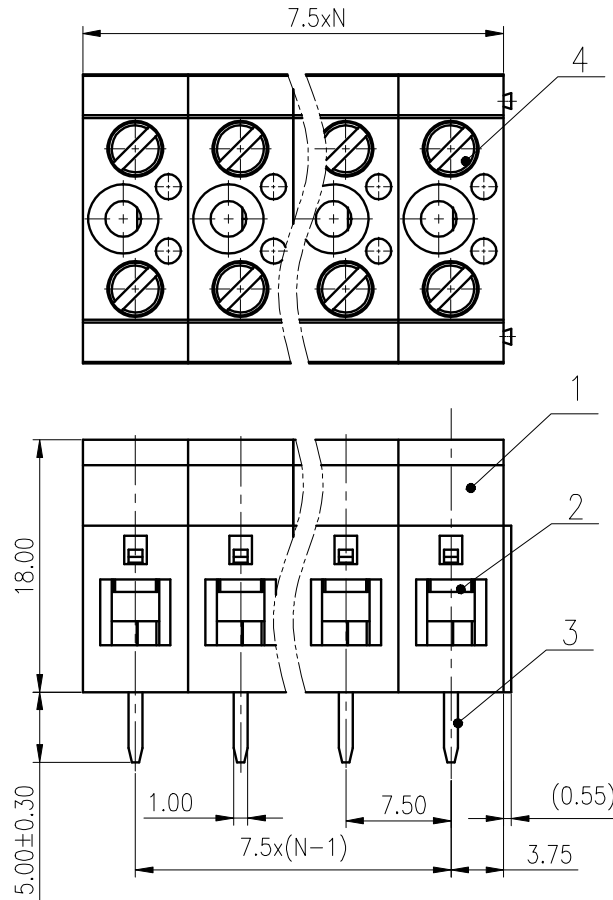
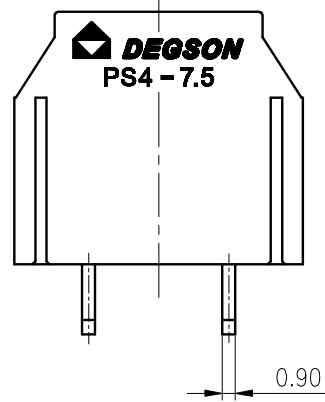


未注公差/General tolerances(mm)											0.1/10 ±2'		
0 ~ 3	>3 ~ 6	>6 ~ 10	>10 ~ 18	>18 ~ 30	>30 ~ 50	>50 ~ 80	>80 ~ 120	>120 ~ 180	>180 ~ 250	>250 ~ 315		>315 ~ 400	>400 ~ 500
±0.12	±0.18	±0.22	±0.26	±0.31	±0.37	±0.57	±0.80	±0.93	±1.05	±1.15	±1.60	±2.20	±2.50



A
B
C
D



4	Screw	Copper alloy	M3/Ni Plated
3	Pin header	Copper	Sn Plated
2	Cage	Copper alloy	M3/Ni Plated
1	Housing	PA66	UL94V-0
ITEM	NAME OF PART	MATERIAL	NOTES

UL 标准/UL Standard:		B	C	D
额定电压/电流/Rated Voltage(V)/Current(A)		300/25	/	300/10
IEC 标准/IEC Standard:				
过压类别/Overvoltage Category/污染等级/Pollution Degree		III/3	III/2	II/2
额定电压/电流/Rated Voltage(V)/Current(A)		/	320/32	/
工频耐压/Withstanding voltage(V/1Min)		AC4000		
螺丝扭矩/Torque Tightening(N·m/Lb.in)		M3, 0.5/4.43		
线径范围(硬线和软线)/Wire Range(rigid and flexible)(mm²/AWG)		0.2~4/24~10		
间距/Pitch(mm)/线数范围/Poles		7.5/N=01~16P		
剥线长度/Stripping length(mm)		13~14		
使用温度范围/Operating temperature(°C)		-40~+105		
符合RoHS环保要求/Conform to RoHS		Yes		

MATERIAL:		SURFACE:	
MAT NO.:	/	宁波高松电子有限公司 NINGBO DEGSON ELECTRICAL CO., LTD	
STATUS:	/		
APPD:	Lan ChH 2020.05.25	NAME:	
CHKD:	Yu JZh 2020.05.25	PS4-7.5-XXP-1Y-00A(H)	
DRFT:	Li Zh 2020.05.25	DRAWING NO.:	10002151
		REV	T0
		TYPE:	CUSTOMER DRAWING
		SCALE:	2:1
		SHEET	1/1

REV	ECN	DESCRIPTION	DRFT	DATE